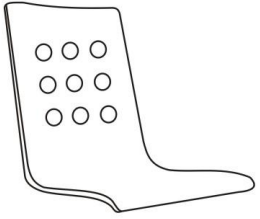
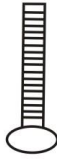


# ASSEMBLING INSTRUCTION

(1) ×1



(4) ×4



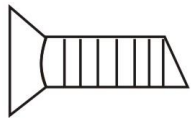
(2) ×2



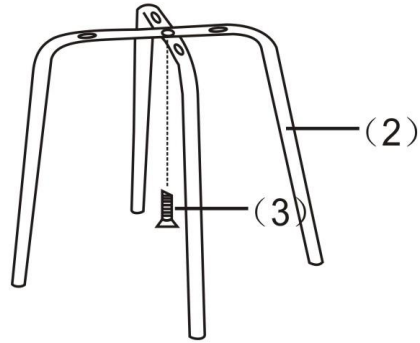
(5) ×4



(3) ×1



①



②

