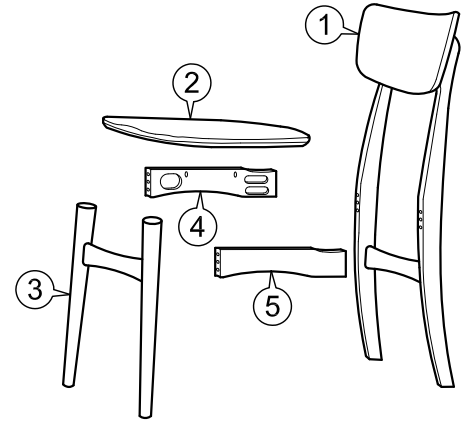
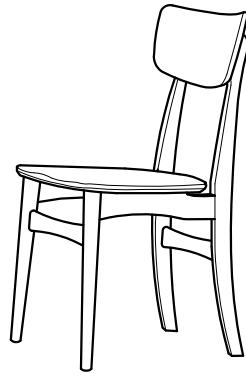
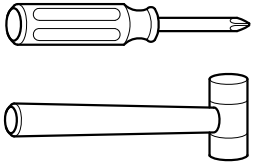


ASSEMBLY INSTRUCTIONS

Item : NETHERLANDS DINING CHAIR

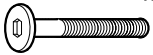
Part List : (x2pcs)



Not Provided

Hardware List

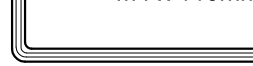
A M6 x 50mm = 12



C M8 x 30mm = 12



E M4 x 110mm = 1



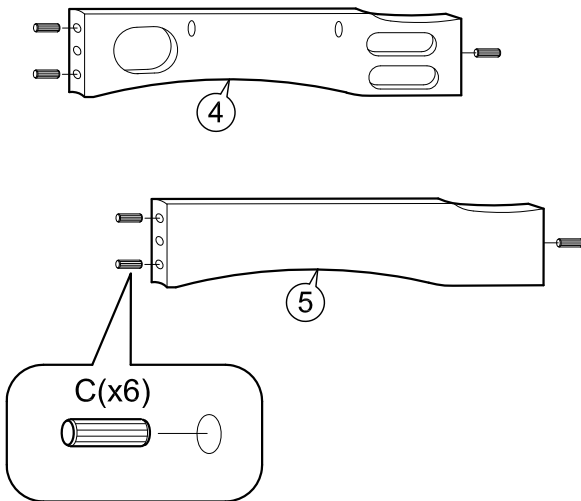
B 5/16" = 12



D M4 x 32mm = 8

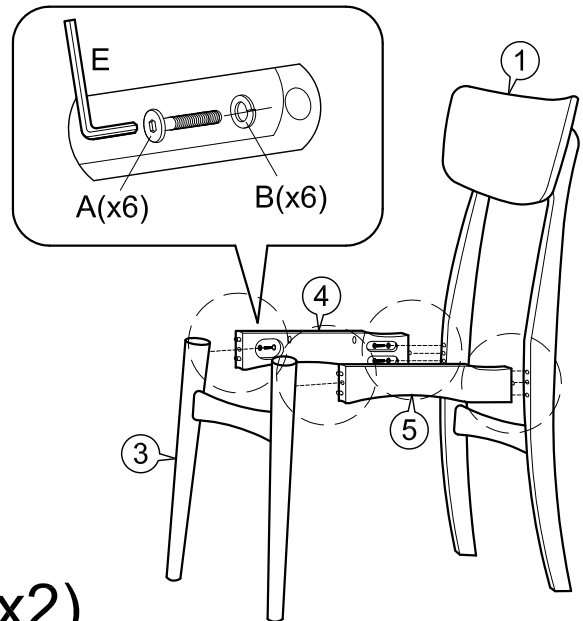


1



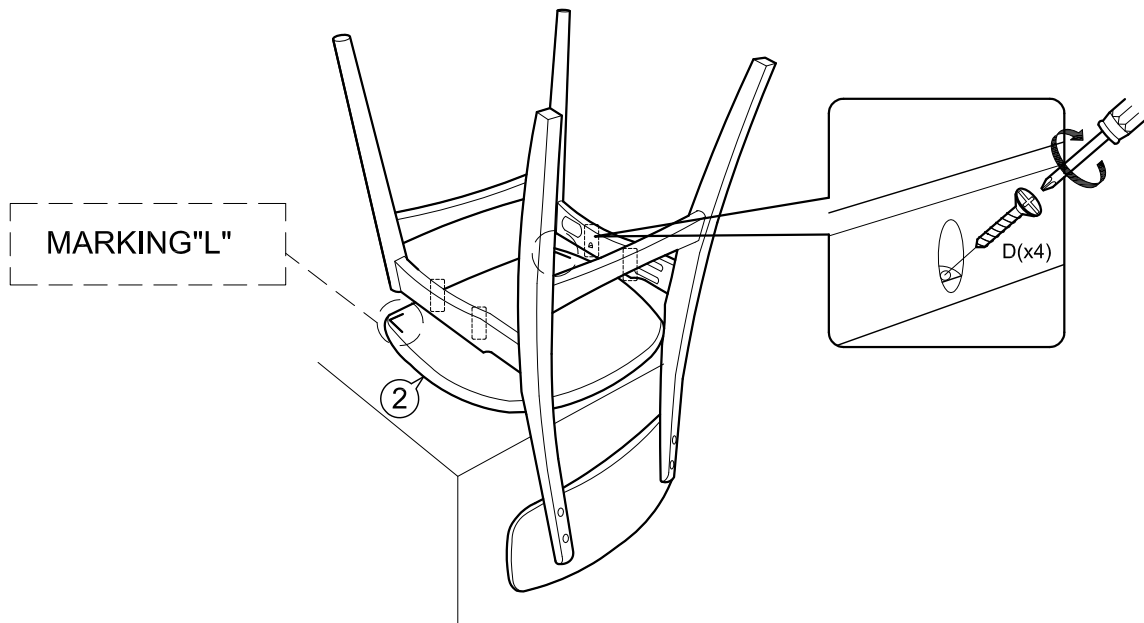
(x2)

2



(x2)

3



(x2)