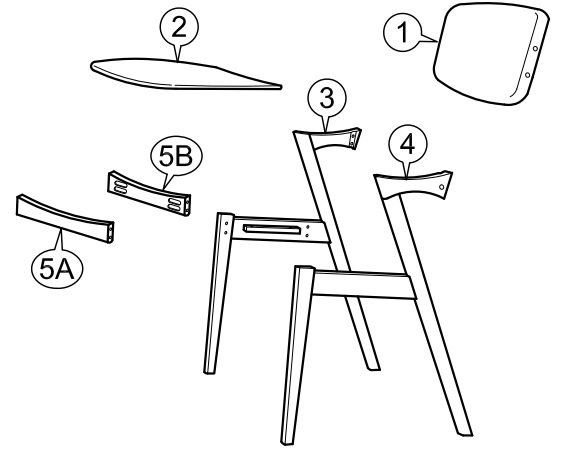
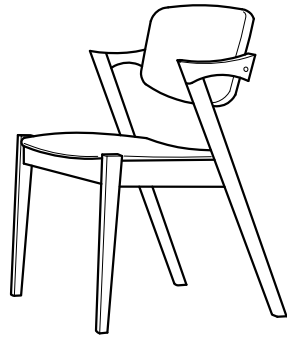
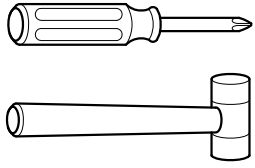


ASSEMBLY INSTRUCTIONS

Item : ELEGANT DINING CHAIR

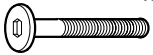
Part List :



Not Provided

Hardware List

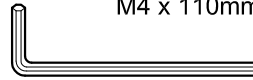
A M6 x 40mm = 20



C M8 x 30mm = 4



E M4 x 110mm = 1



B 5/16" = 16



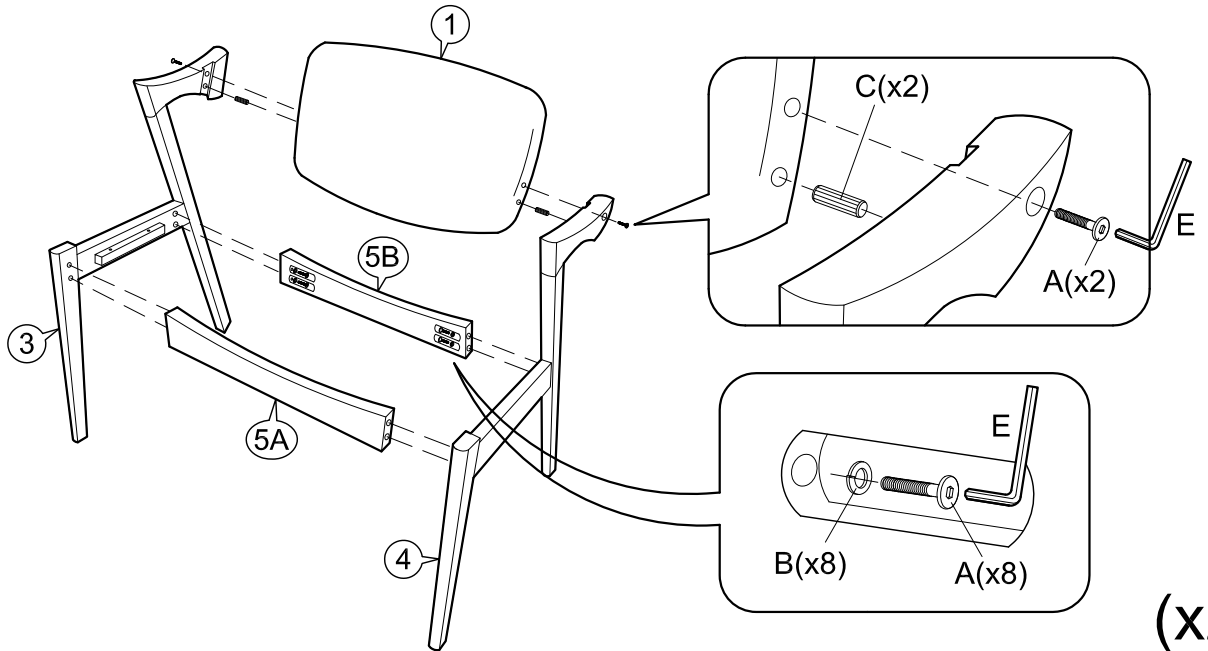
D M4 x 25mm = 8



F 14.5Ø = 4



1



2

