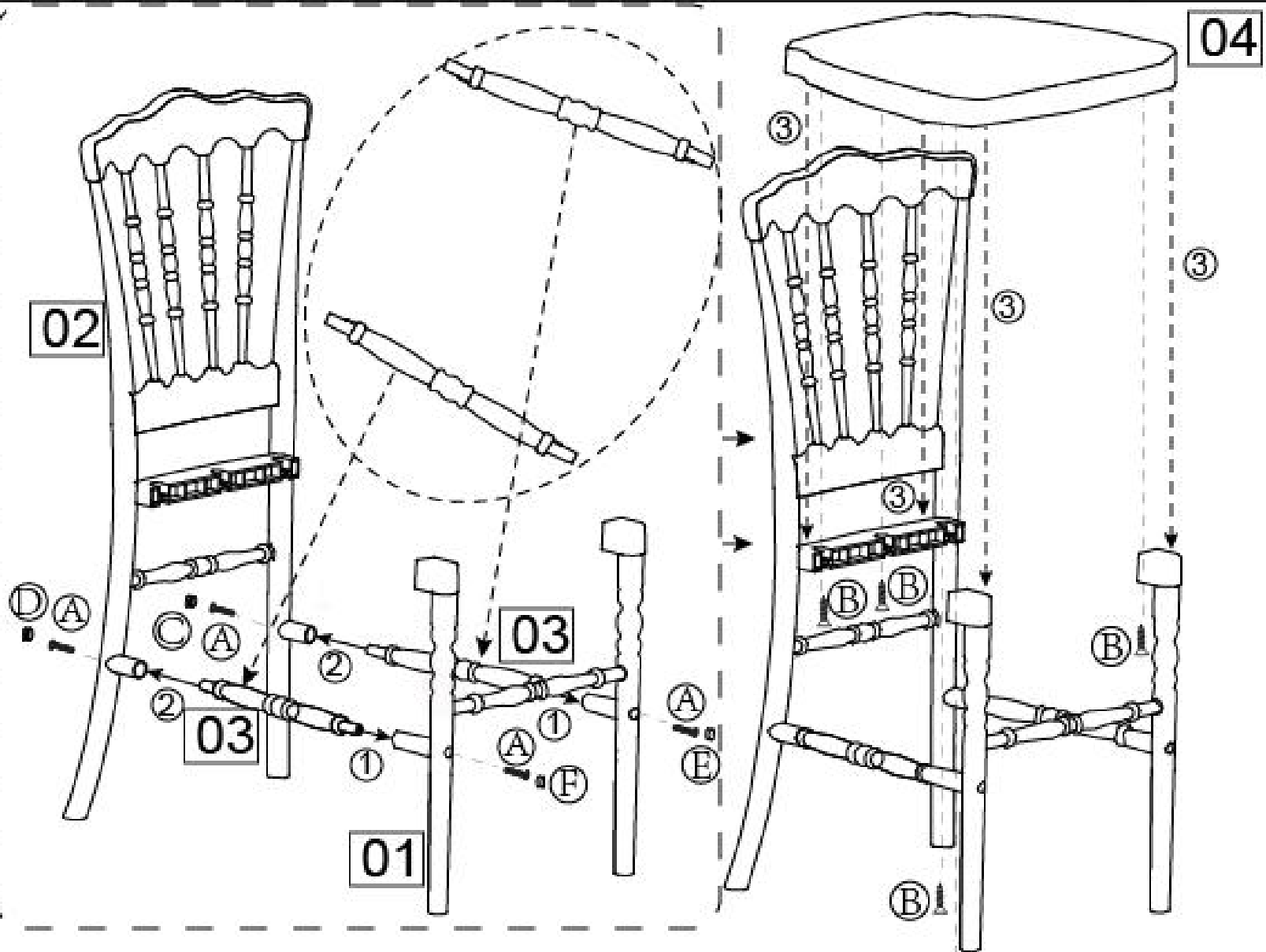


COMPONENT PARTS

FITTINGS



(A)		X4
(B)		X5
(C)		X1
(D)		X1
(E)		X1
(F)		X1

COMPONENT CHECKLIST

PART	No.	Qty.
Front leg	01	1 <input type="checkbox"/>
Back leg	02	1 <input type="checkbox"/>
Support	03	2 <input type="checkbox"/>
Seat shell	04	1 <input type="checkbox"/>

TOOLS REQUIRED

Allen key (supplied)

Attention:  
assemble instruction: ① → ② → ③