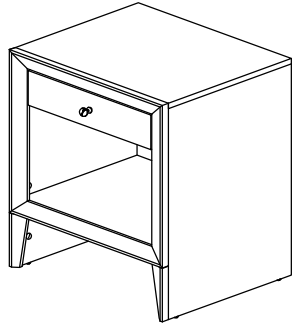


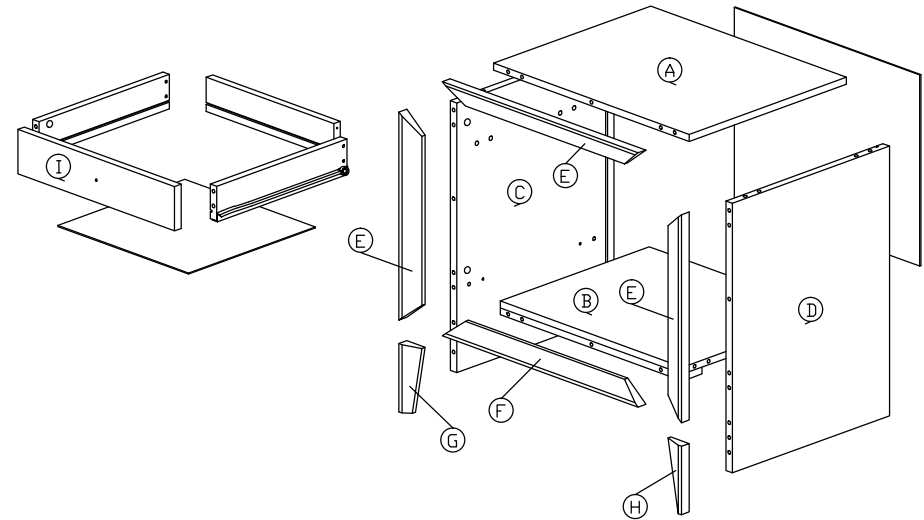
Assembly Instruction

Model : ST - 006

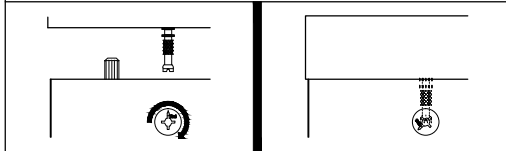


Hardware List			
No.	SHAPE	DESCRIPTION	Qty.
1		8x25mm Wood Dowel	26Pcs
2		M3.5x16mm Screw	14Pcs
3		M4x38mm Screw	4Pcs
4		15MM Titus Mini Fix	20Sets
5		15mm Minifix Cap	6Pcs
6		Drawer Slide 12" (300mm)	1Set
7		PVC Drawer Pin	4Pcs
8		Handle (2293) M4x20mm Handle Screw	1Sets
9		Nail Leg	4Pcs
10		Z Bracket	2Pcs
11		Nail	4Pcs

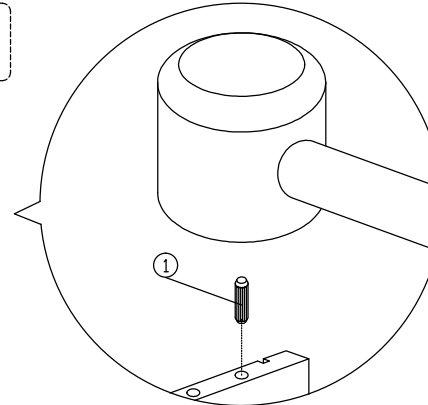
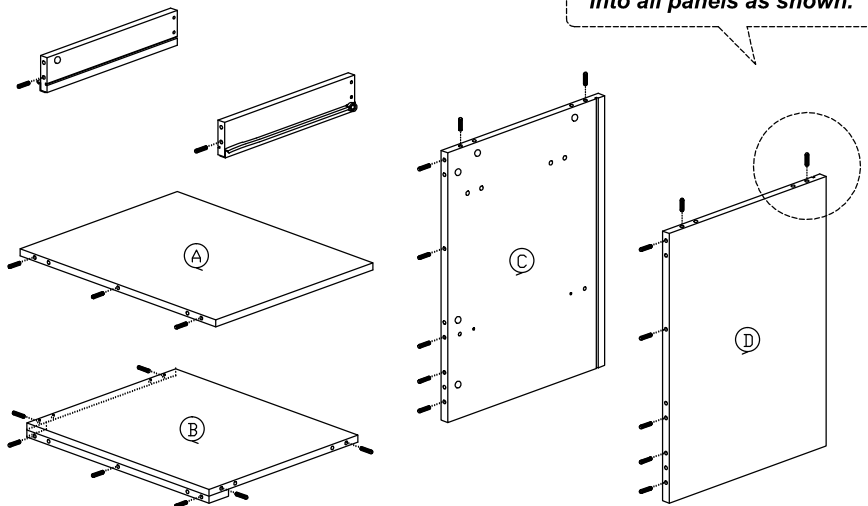
Part List



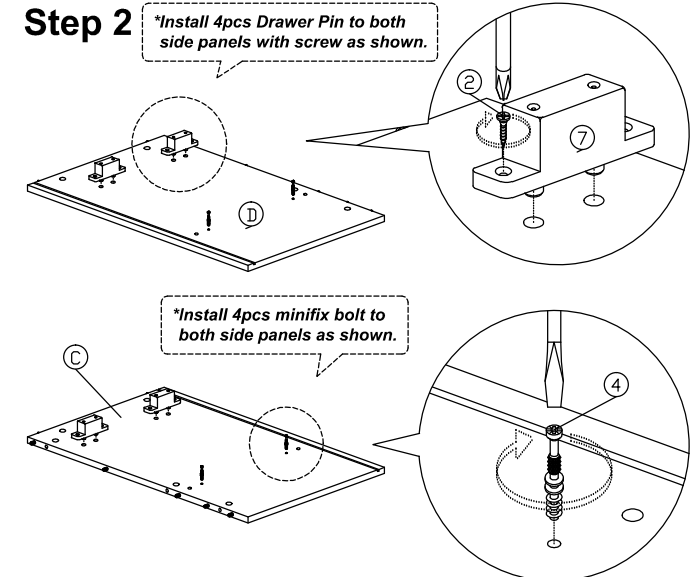
Dowel / Cam - Lock Installation



Step 1

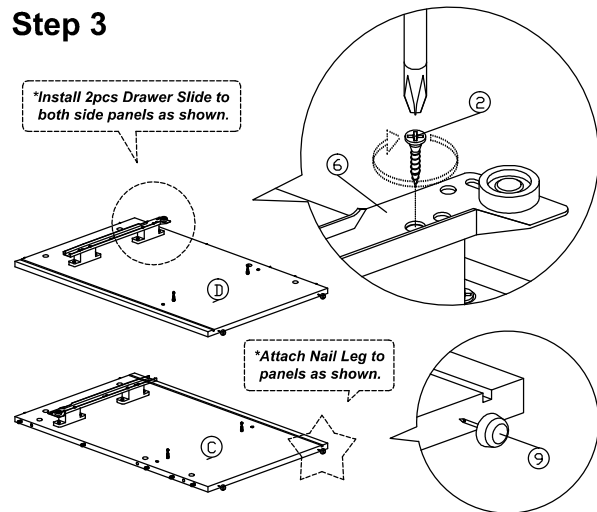


Step 2

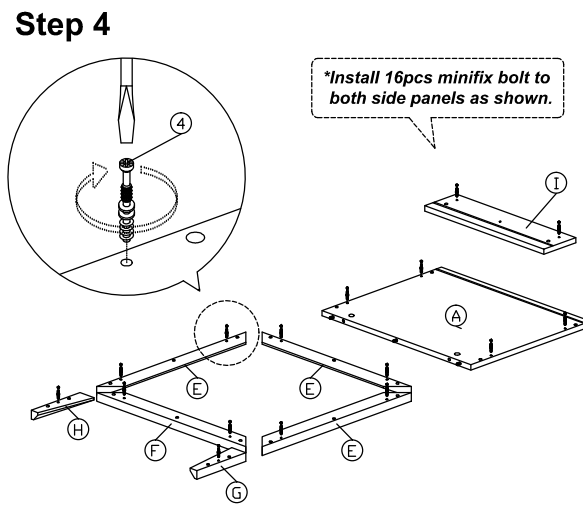


Assembly Instruction

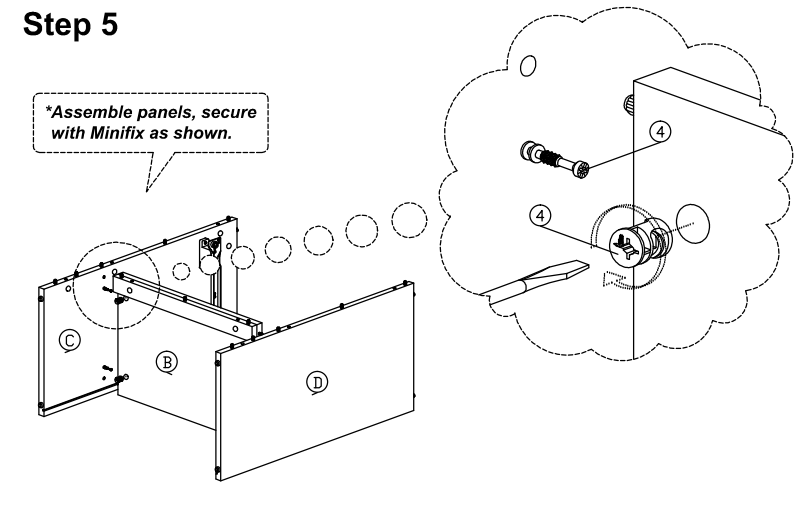
Step 3



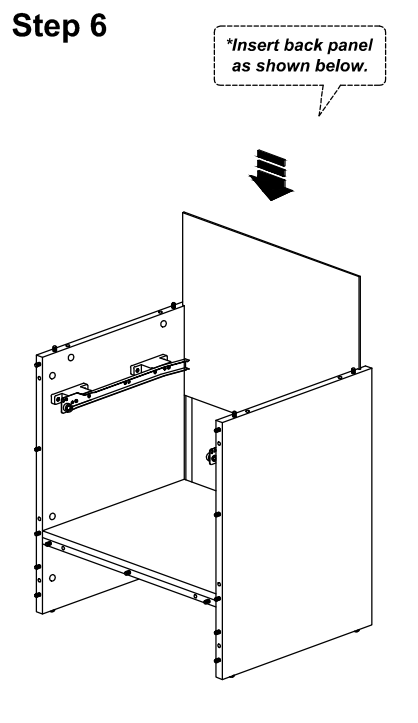
Step 4



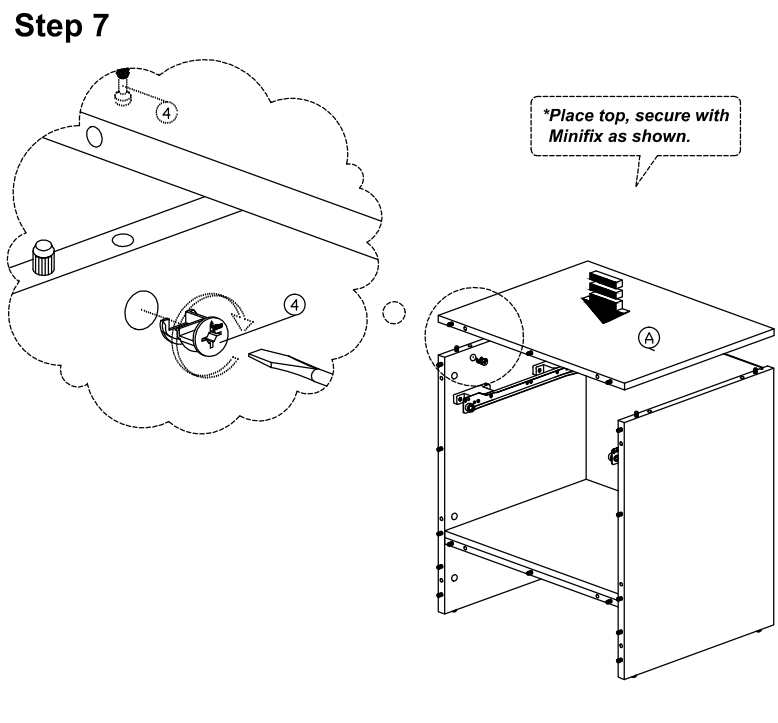
Step 5



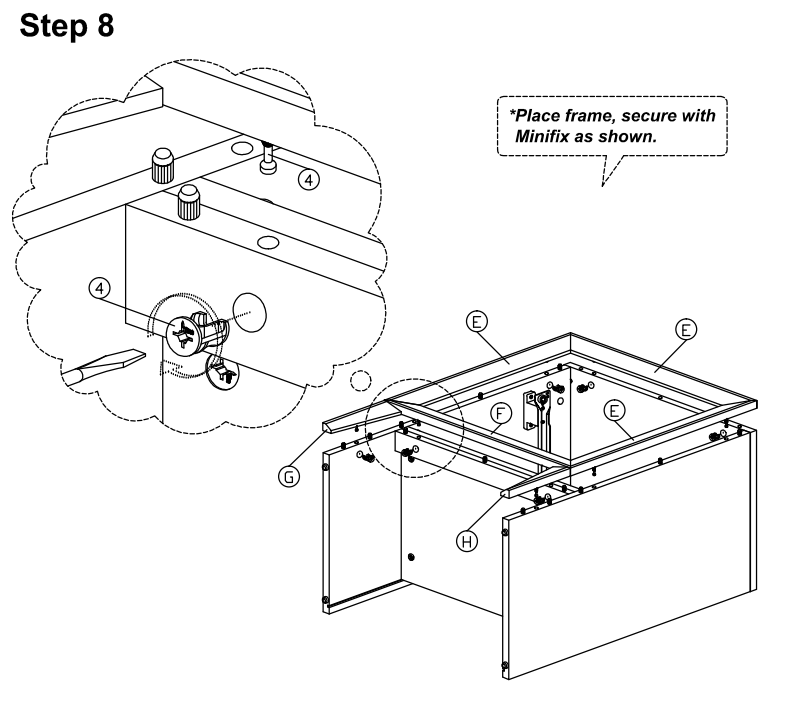
Step 6



Step 7

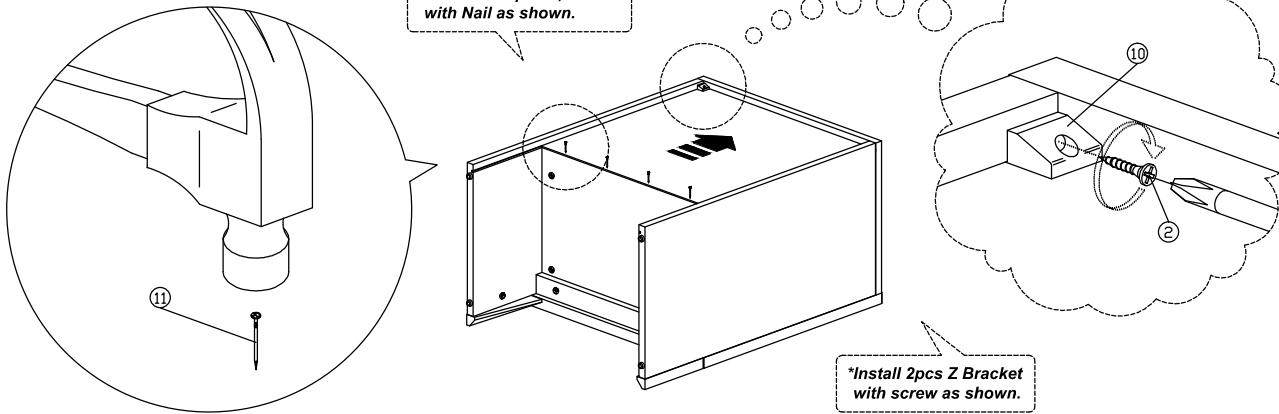


Step 8

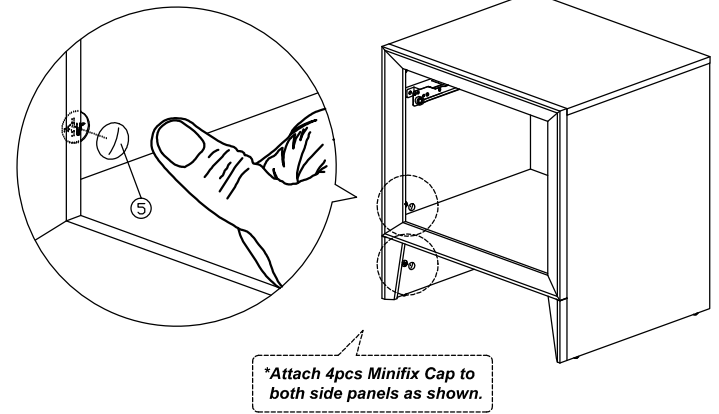


Assembly Instruction

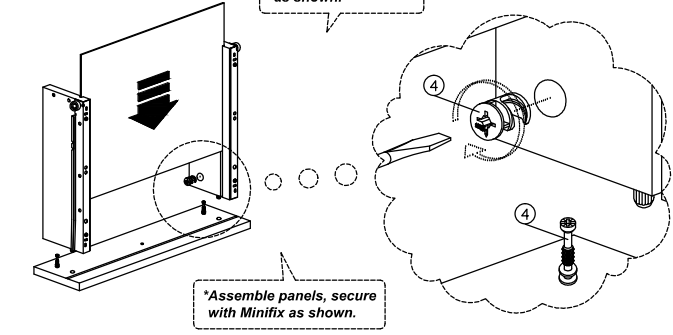
Step 9



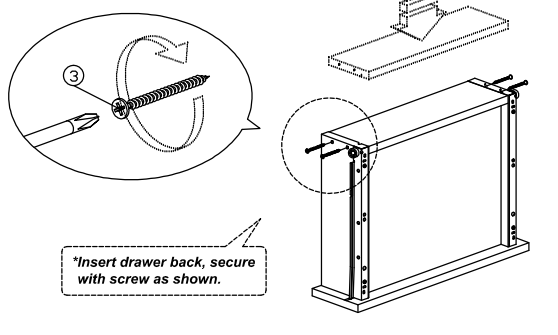
Step 10



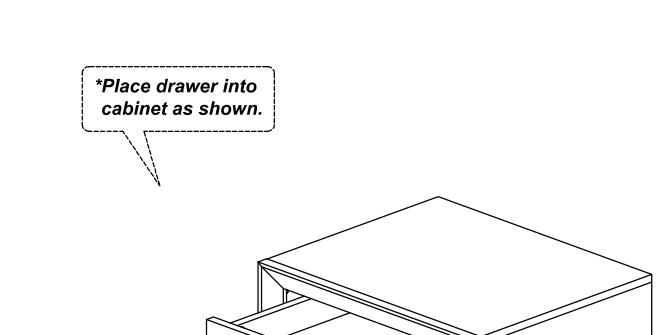
Step 11



Step 12



Step 12



Step 11

