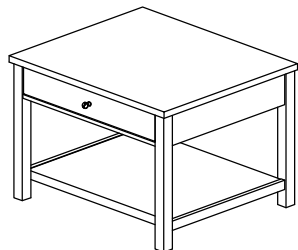


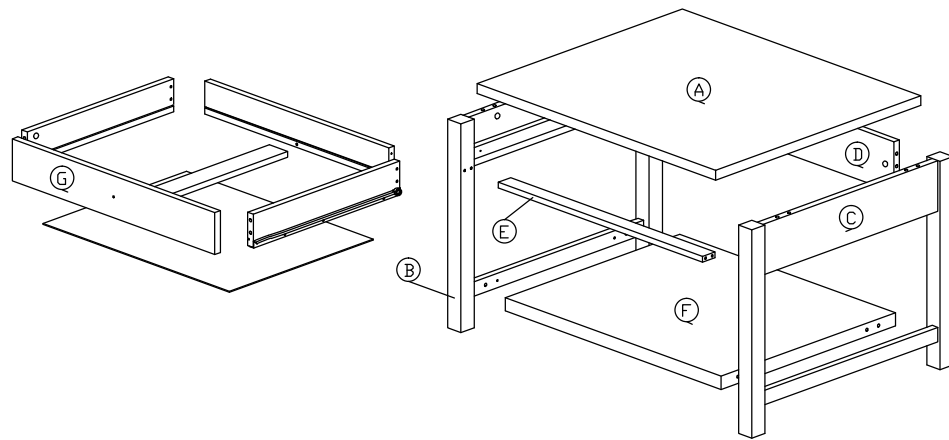
Assembly Instruction

Model : ST - 002

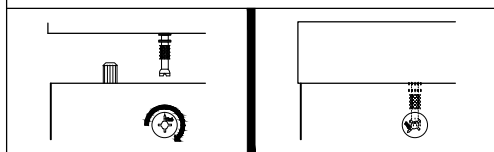


Hardware List			
No.	SHAPE	DESCRIPTION	Qty.
1		6x25mm Wood Dowel	4Pcs
2		8x25mm Wood Dowel	14Pcs
3		M3.5x15mm Screw	4Pcs
4		M4x38mm Screw	5Pcs
5		15MM Titus Mini Fix	13Sets
6		15mm Minifix Cap	2Pcs
7		Drawer Slide 16" (400mm)	1Set
8		Handle (2293) M4x20mm Handle Screw	1Set
9		Nail Leg	4Pcs

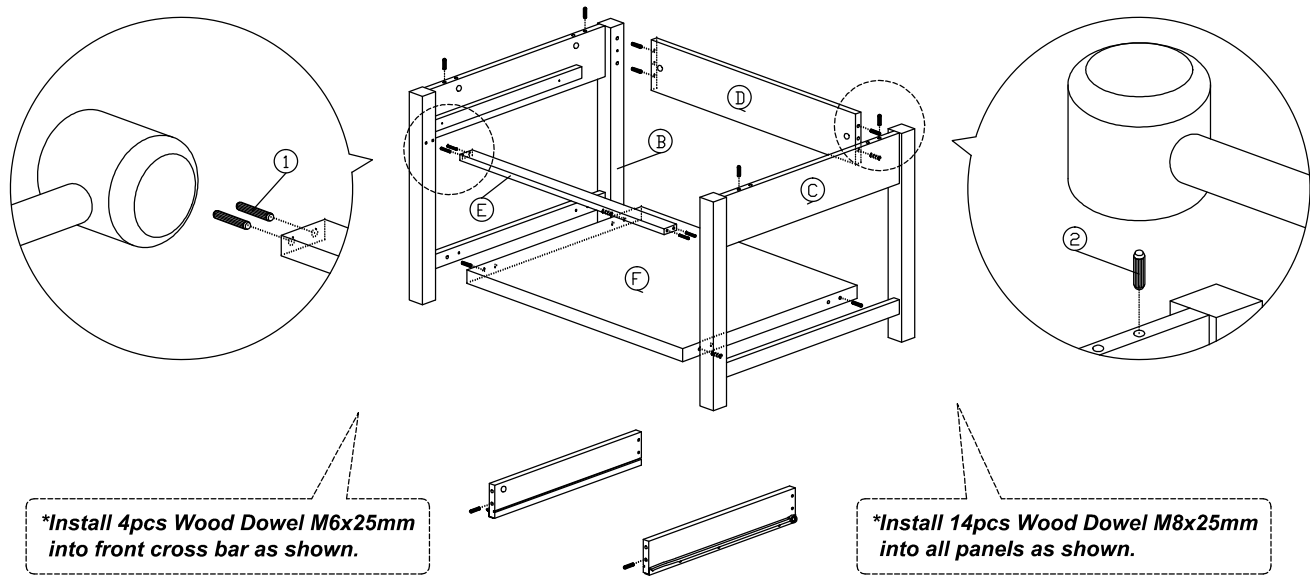
Part List



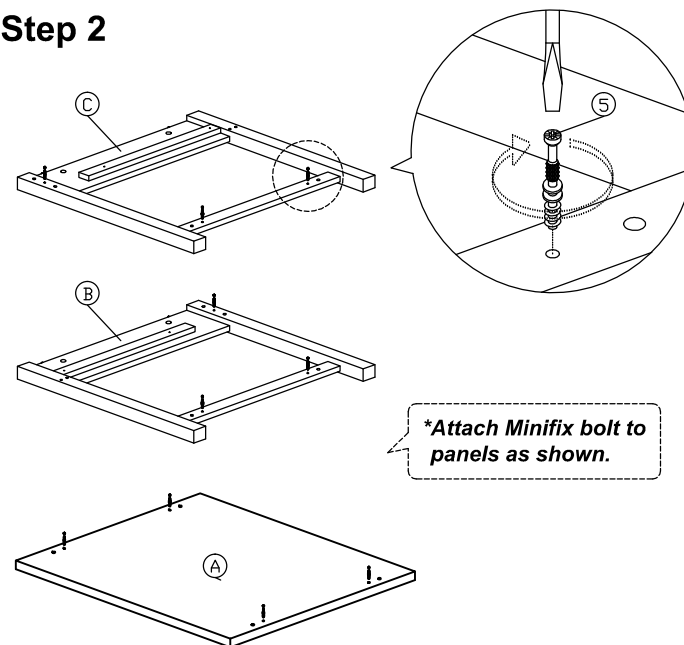
Dowel / Cam - Lock Installation



Step 1

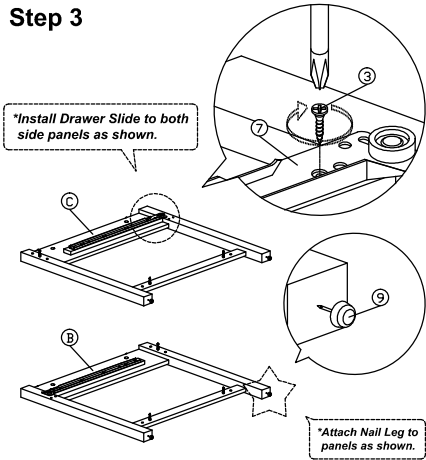


Step 2

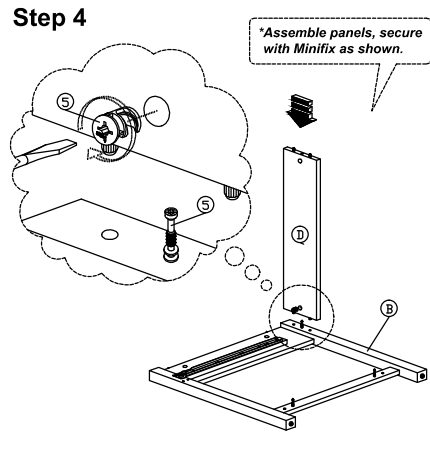


Assembly Instruction

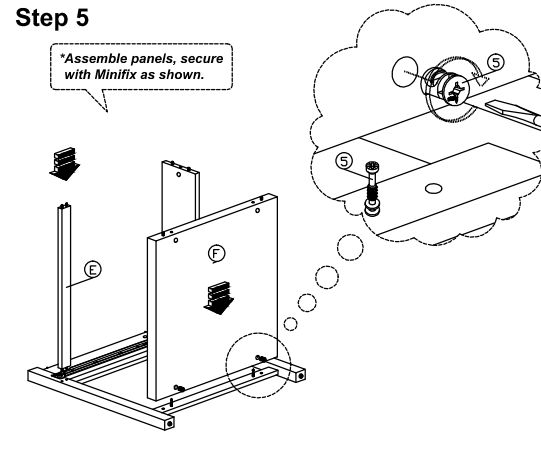
Step 3



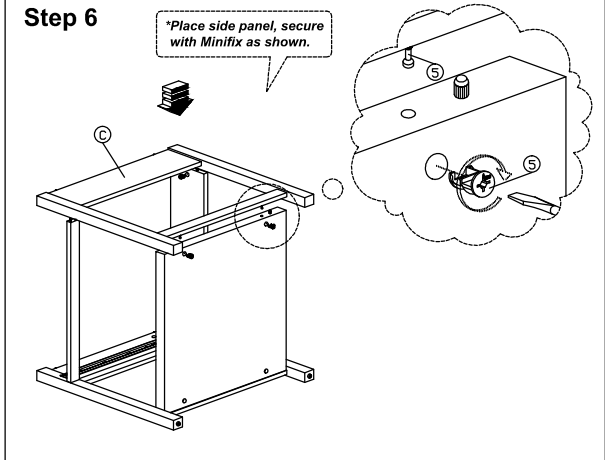
Step 4



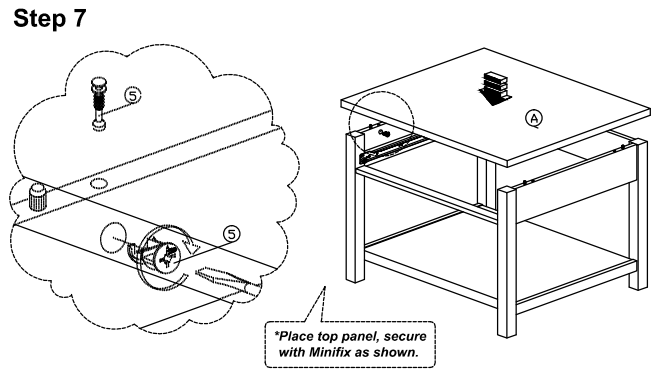
Step 5



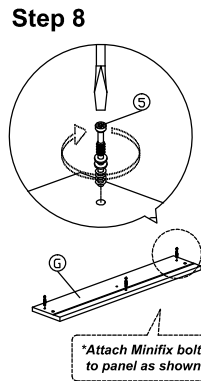
Step 6



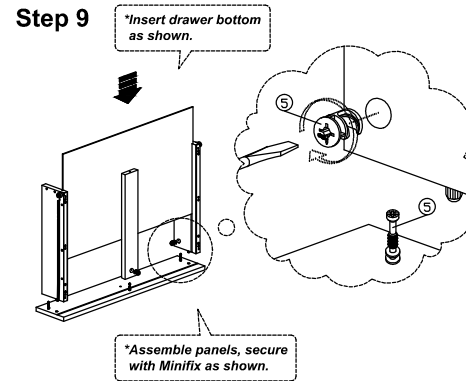
Step 7



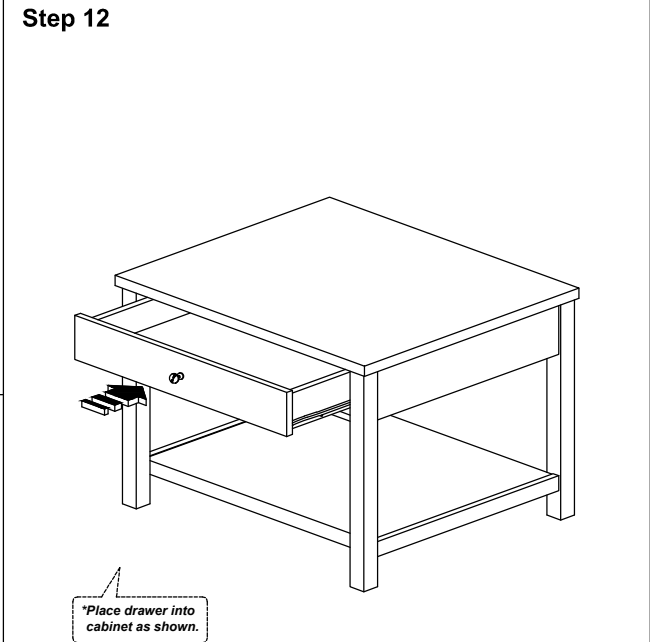
Step 8



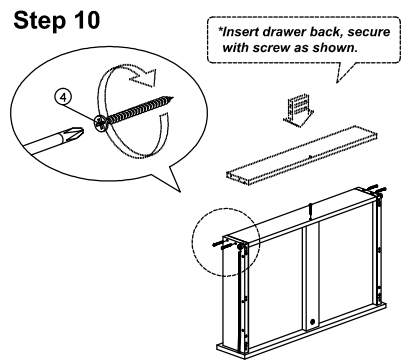
Step 9



Step 12



Step 10



Step 11

