

MODEL: TS 1050

DESCRIPTION : JENNY QUEEN BED

ASSEMBLY INSTRUCTION



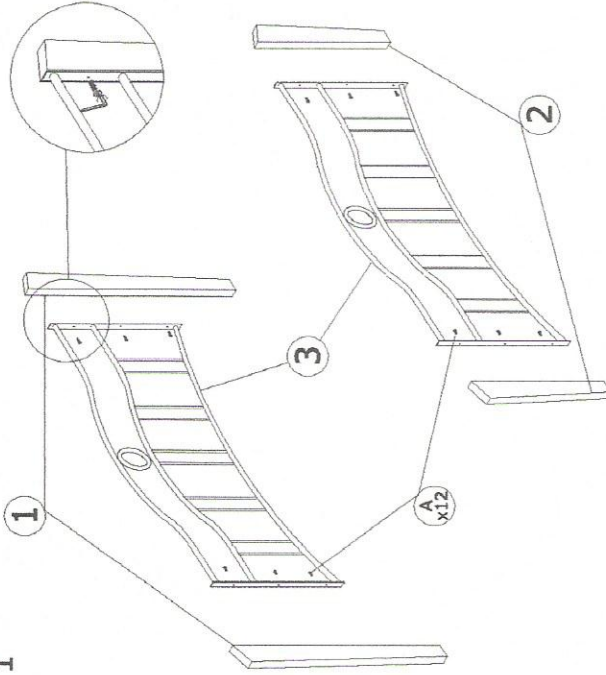
PARTS LIST

NO	DESCRIPTION	QTY
1	Headboard Leg	1 pcs
2	Footboard Leg	1 pcs
3	HB/FB Metal	2 pcs
4	Side Rail	2 pcs
5	End Bar	2 pcs
6	Bendwood slet	26 pcs
7	Middle Support Leg	3 pcs
8	Middle Support	1 pcs
9	End Cap	26 pcs
10	Middle Cap	13 pcs

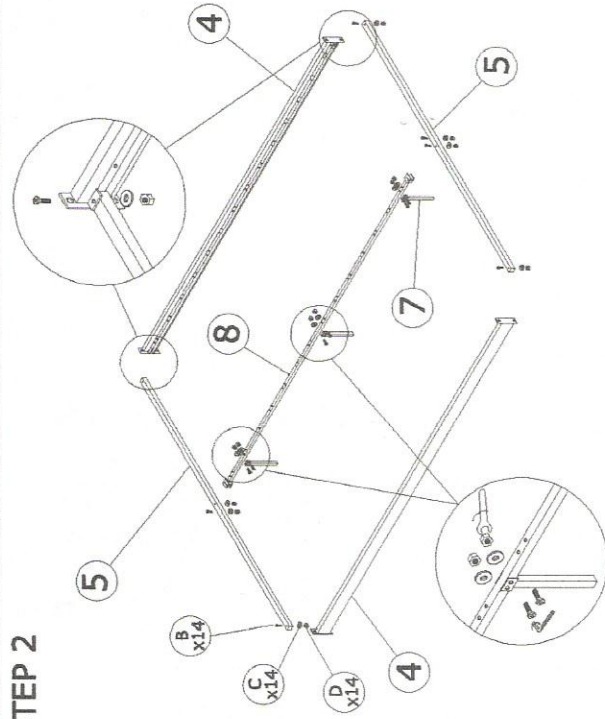
HARDWARE LIST

NO	DESCRIPTION	QTY
A	JCBC M6 x 20	20 pcs
B	JCBC M6 x 35	14 pcs
C	M6 WASHER	14 pcs
D	M6 HEX NUT	14 pcs
E	ALLEN KEY	1 pcs
F	WRENCH M10	1 pcs

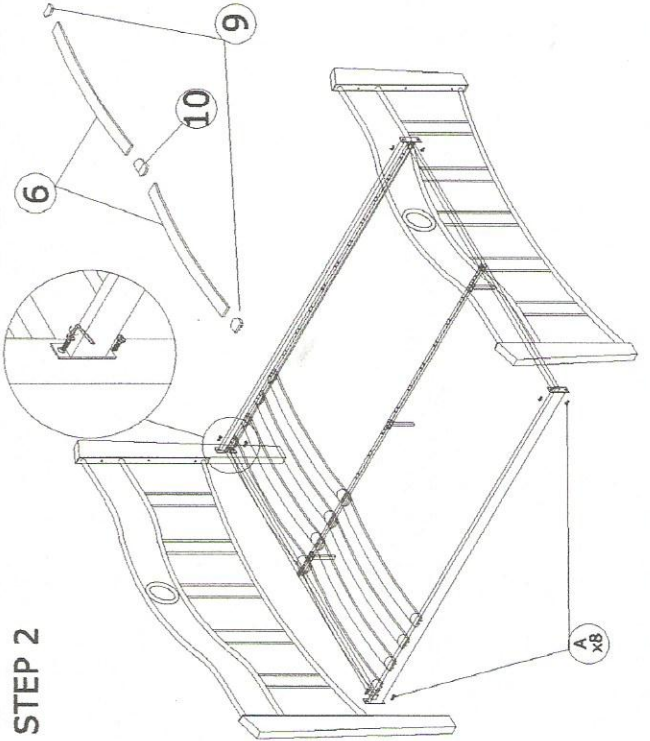
STEP 1



STEP 2



STEP 2



FULLY SET UP

