

MODEL:TS 1011

ASSEMBLY INSTRUCTION

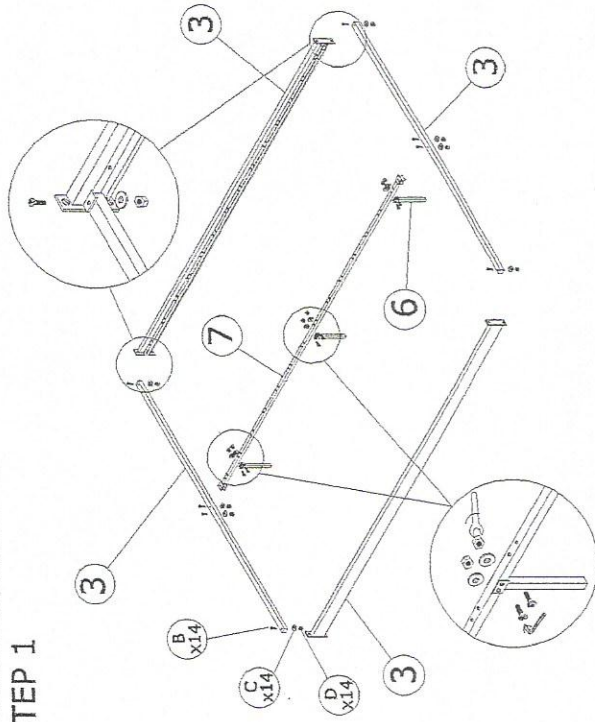
DESCRIPTION : JESSIE QUEEN BED



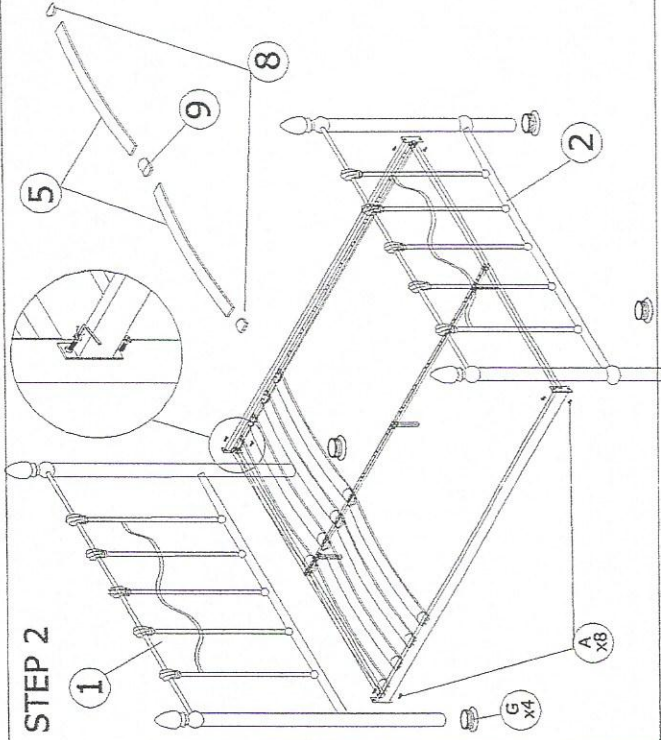
PARTS LIST

NO	DESCRIPTION	QTY
1	Headboard	1 pcs
2	Footboard	1 pcs
3	Side Rail	2 pcs
4	End Bar	2 pcs
5	Bendwood slat	26 pcs
6	Middle Support Leg	3 pcs
7	Middle Support	1 pcs
8	End Cap	26 pcs
9	Middle Cap	13 pcs

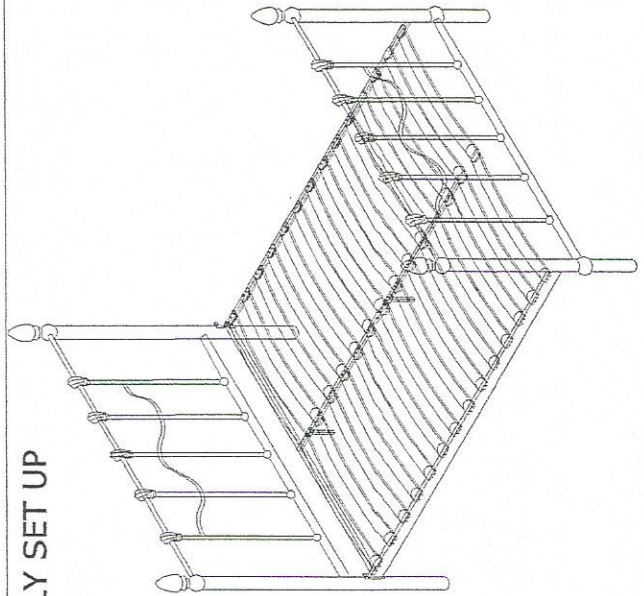
STEP 1



STEP 2



FULLY SET UP



HARDWARE LIST

NO	DESCRIPTION	QTY
A	JCBC M6 x 20	8 pcs
B	JCBC M6 x 35	14 pcs
C	M6 WASHER	14 pcs
D	M6 HEX NUT	14 pcs
E	ALLEN KEY	1 pcs
F	WRENCH M10	1 pcs
G	1 1/2" ROUND CAP	4 pcs