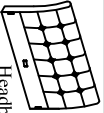
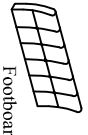



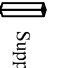




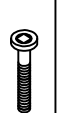

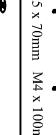
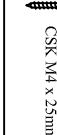

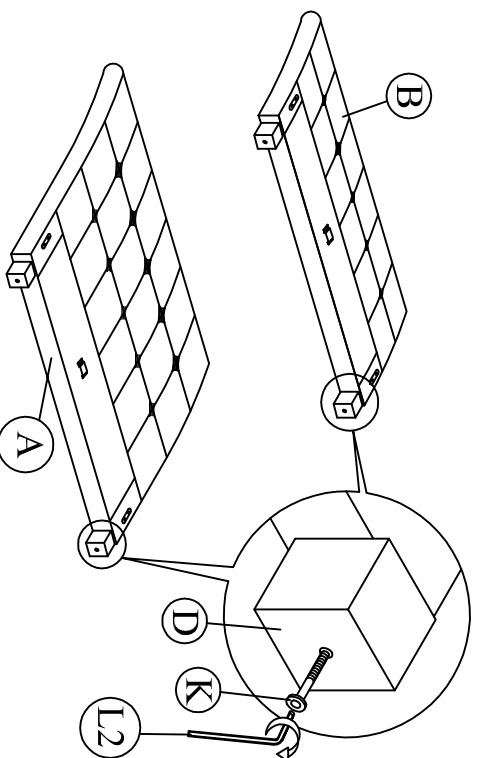


ASSEMBLY INSTRUCTION

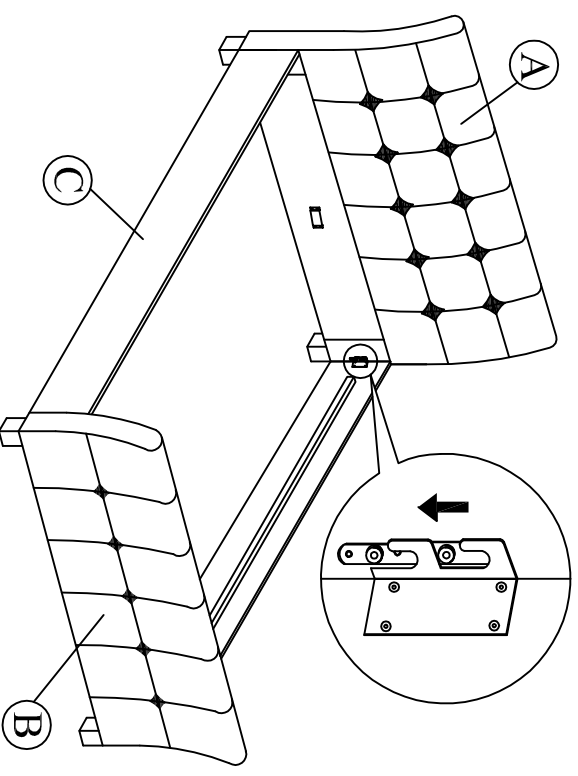
MODEL: CF 8147 (5*)

A		1 pc
B		1 pc
C		2 pcs
D		4 pcs
E		1 pc
F		2 pcs
G		28 pcs
H		14 pcs
I		28 pcs
J		2 pcs
K		4 pcs
L		1 pc
M		2 pcs
N		3 pcs
O		1 pc

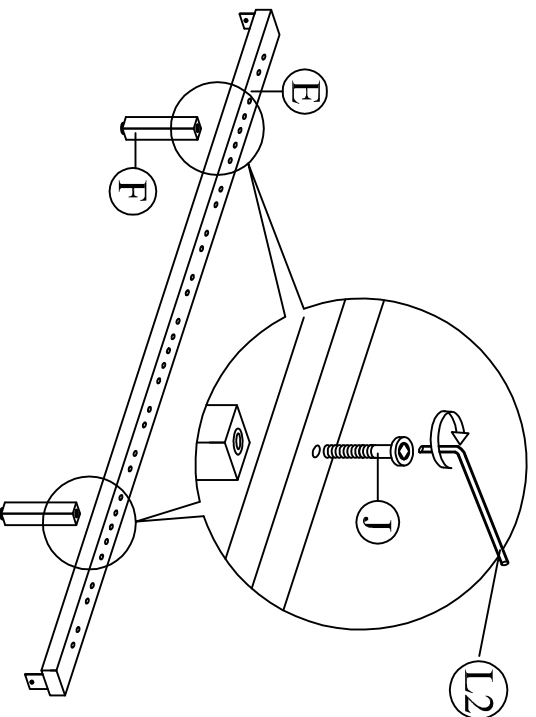
Step 1 : Tighten the wooden leg (D) to the headboard (A) and footboard (B).



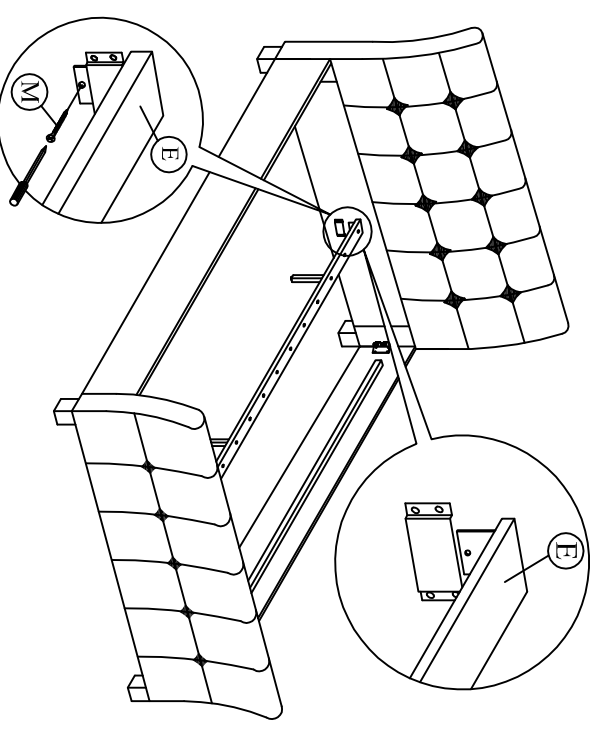
Step 2: Attach side rail (C) to footboard (B) and headboard (A) by pushing the bracket down to fit it.



Step 3: Attach the support legs (F) to the center rail (E) of the bed as shown.



Step 4: Slide the center rail (E) to the headboard (A) and footboard (B). Tighten screws (M) using screw driver (not included) to the headboard (A) and footboard (B).



Step 5: Affix the Stiffener Slat (O) to the side rail support wood and the center rail (E) . Tighten all the 4 corner ,follow by assembly of the slat holders with LVL slats as shown.

