









ASSEMBLY INSTRUCTION

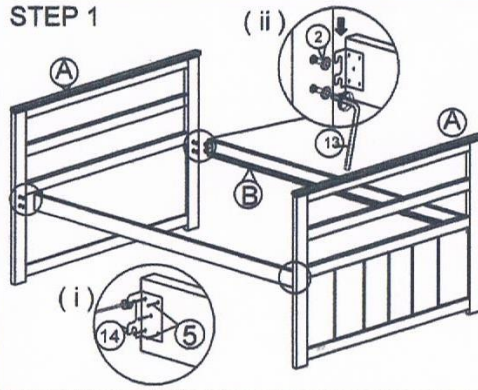
MODEL : CTB 101

NO.	PART LIST	QTY
A	 H&F BOARD	2PCS
B	 SIDE RAIL	2PCS
C	 SIDE PANEL	2PCS
D	 CENTER RAIL	1 PC
E	 B/PANEL	1 PC
F	 F/FRAME	1 PC
G	 ALUM RAIL	3PCS
H	 DRAWER	3PCS
I	MATTRESS SLAT	2SET

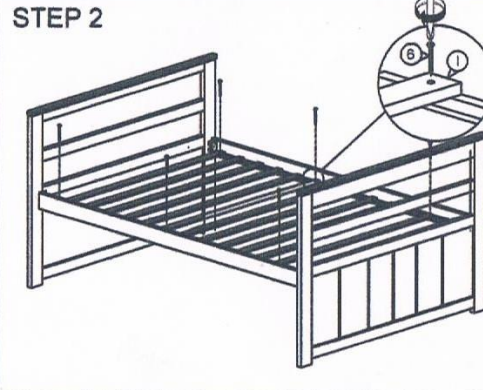
HARDWARE LIST

NO.	QTY	NO.	QTY
	4 PCS		6 PCS
1	8	8	3 PCS
	8 PCS		3 PCS
2	9	9	3 PCS
	4 PCS		3 PCS
3	10	10	3 PCS
	6 PCS		16 PCS
4	11	11	16 PCS
	36 PCS		1 PC
5	12	12	1 PC
	18 PCS		1 PC
6	13	13	1 PC
	6 PCS		4 PCS
7	14	14	4 PCS

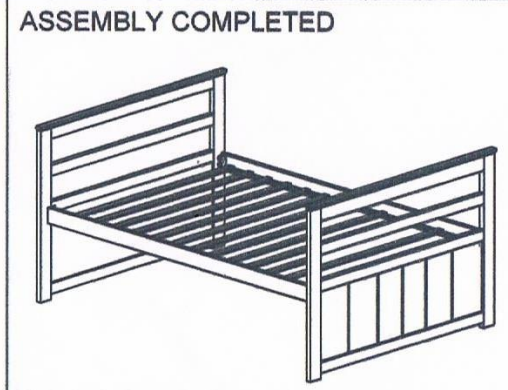
STEP 1



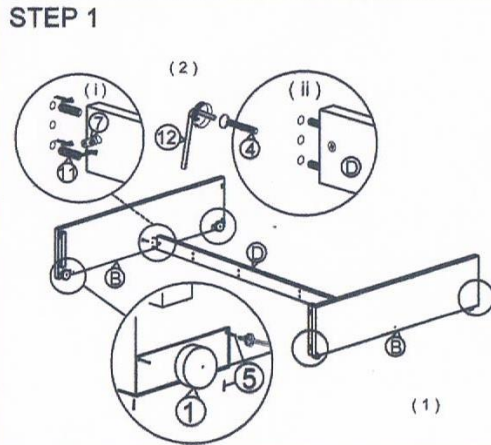
STEP 2



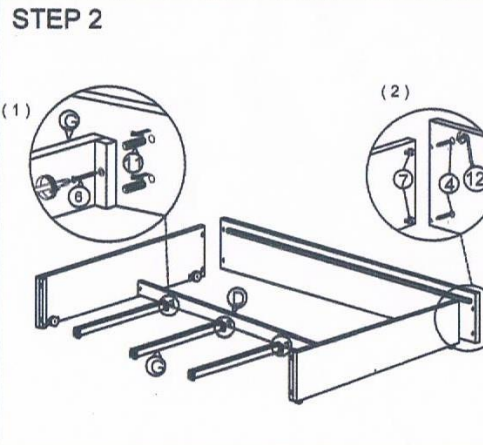
ASSEMBLY COMPLETED



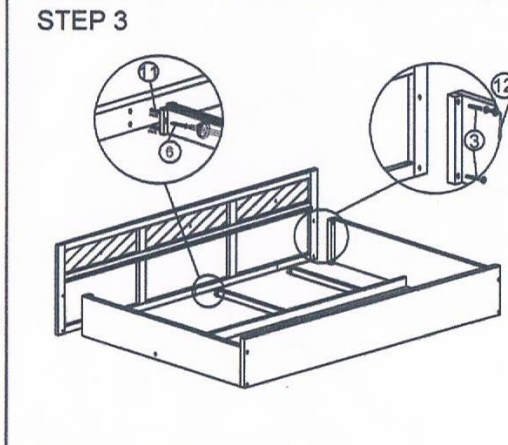
STEP 1



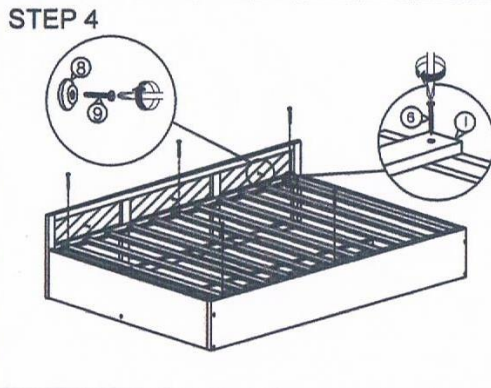
STEP 2



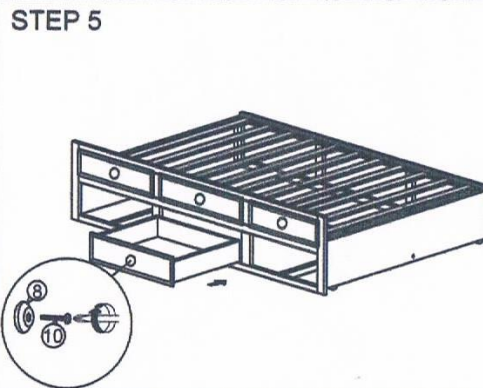
STEP 3



STEP 4



STEP 5



ASSEMBLY COMPLETED

