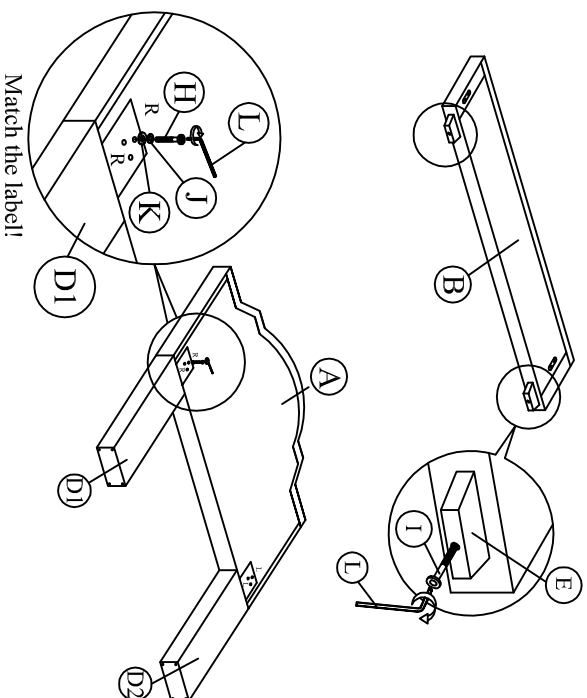


Assembly Instruction

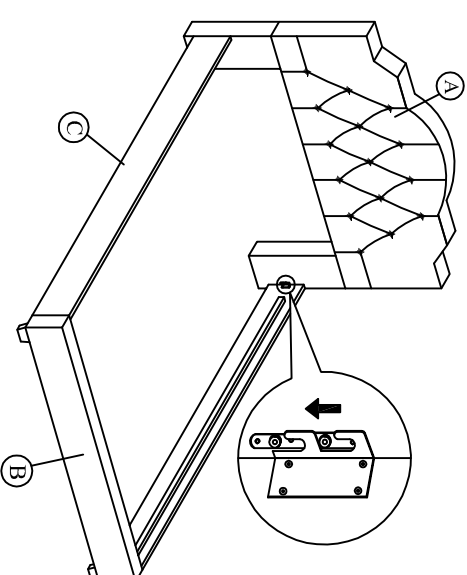
Model: CF 8610
(3' Twin / 4'6" Full / 5' Queen)

A		1 pc
B		1 pc
C		2 pcs
D		2 pcs
E		2 pcs
F		3 pcs
G		3 pcs
H		9 pcs
I		2 pcs
J		6 pcs
K		6 pcs
L		1 pc
M		1 pc
N		6 pcs

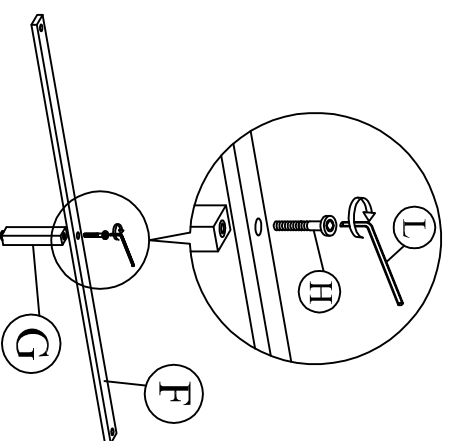
Step 1: Tighten the headboard legs (D) and footboard legs (E) to the headboard (A) and footboard (B).



Step 2: Attach Side Rail (C) to Headboard (A) and Footboard (B) by pushing the bracket down to fit it.



Step 3: Attach the support legs (G) to the slats (F).



Step 4: Put the slat into the bed frame and tighten the 4 corner with Allen key (L). Before tightening the CSK screw (N) to the side rail support, Make sure there is no gap between slat and the side rail.

