

# TOUCHLINE

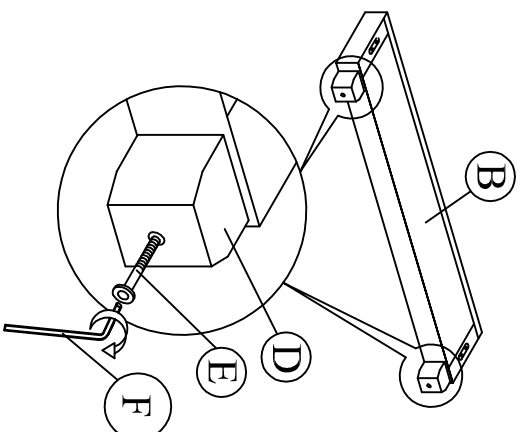
**TOUCHLINE MARKETING (PTY) LTD**  
Unit 300, Touchline Distribution Centre, Northlands Deco Park,  
New Market Road, North Riding, Johannesburg, South Africa  
[www.touchlinegroup.com](http://www.touchlinegroup.com)

Tel : +2711 462 0443  
Fax : +2711 462 0627  
Fax Order : 011-462 4099

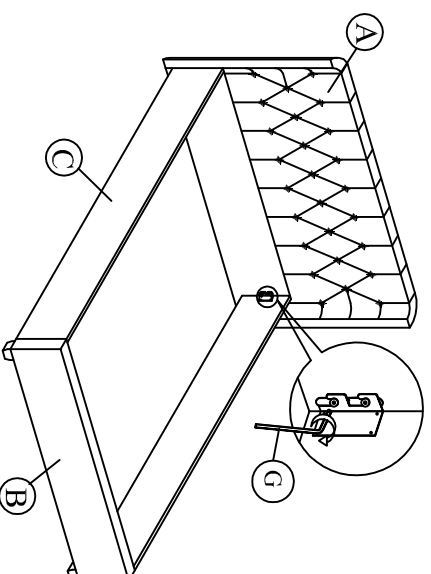
## ASSEMBLY INSTRUCTION

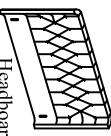





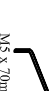
Model: Elegance Bed TL-8565  
(Without slat)

Step 1: Tighten the legs (D) to the footboard (B) as shown.



Step 2: Attach side rail (C) to headboard (A) and footboard (B) by pushing the bracket down to fit it. Tighten all the 4 corner.



A		Headboard	1 pc
B		Footboard	1 pc
C		Side Rail	2 pcs
D		Leg	2 pcs
E		JCB6 M6 X 50	2 pcs
F		M4 x 100mm	1 pc
G		M5 x 70mm	1 pc

Step 5: Tighten all the 4 corner ,follow by assembly of the slat holders with LVL slats as shown.

