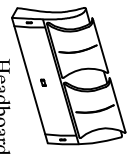
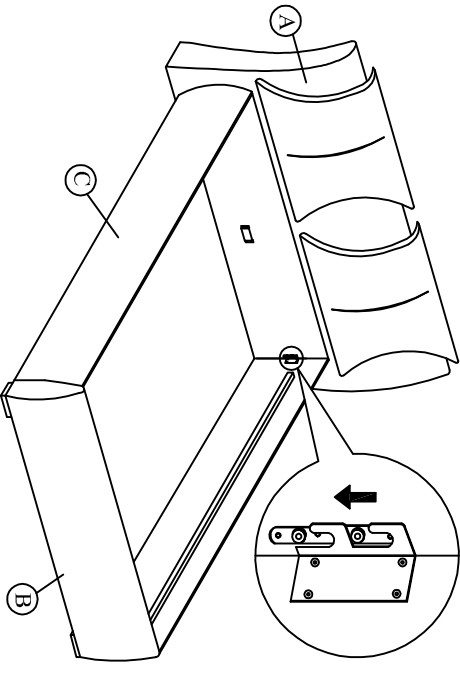
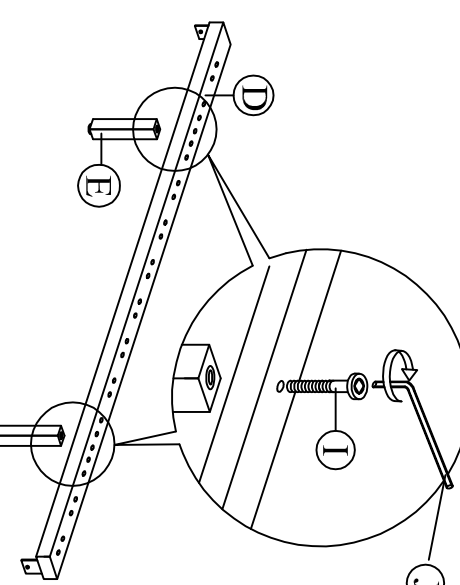


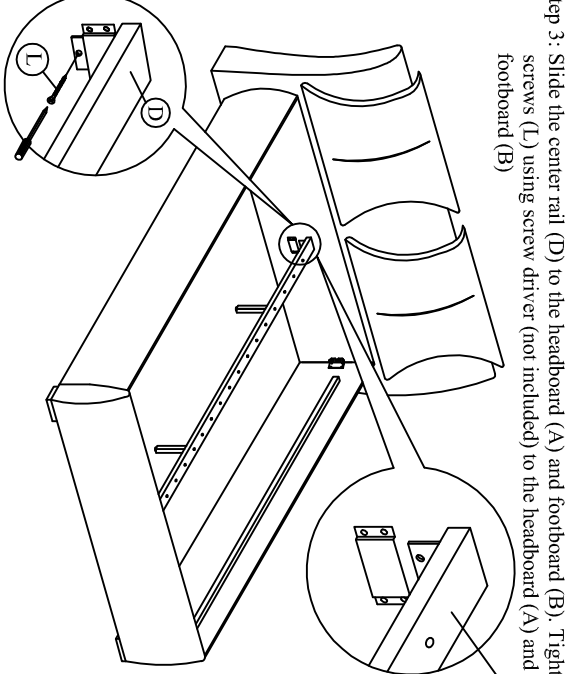
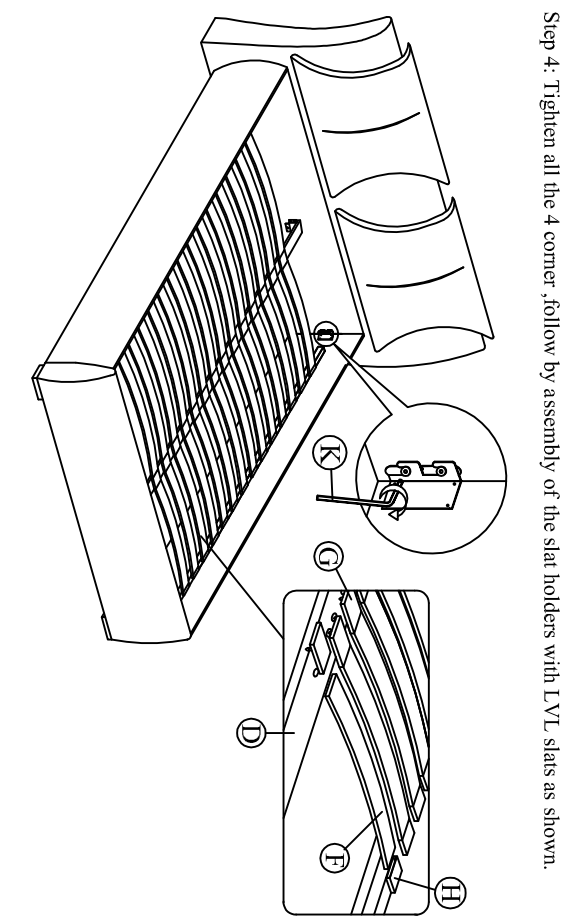


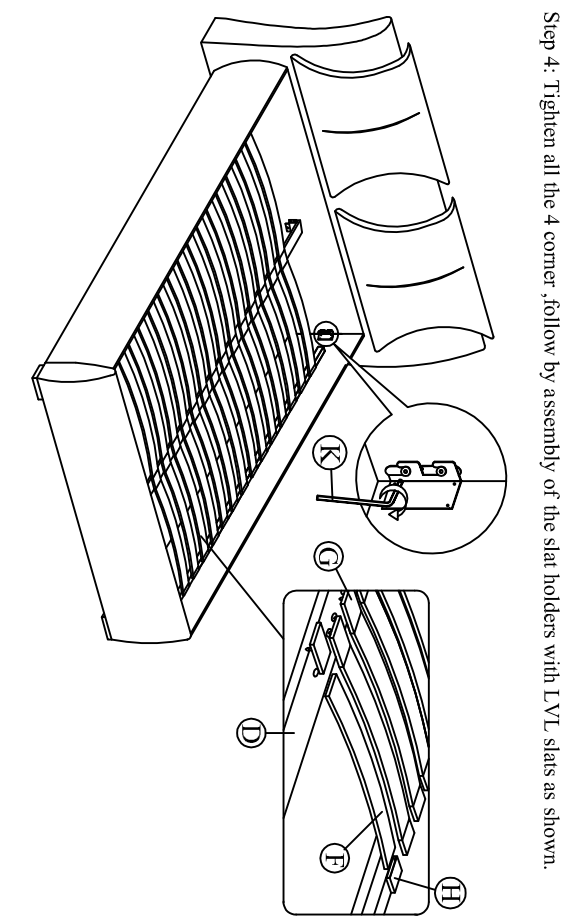
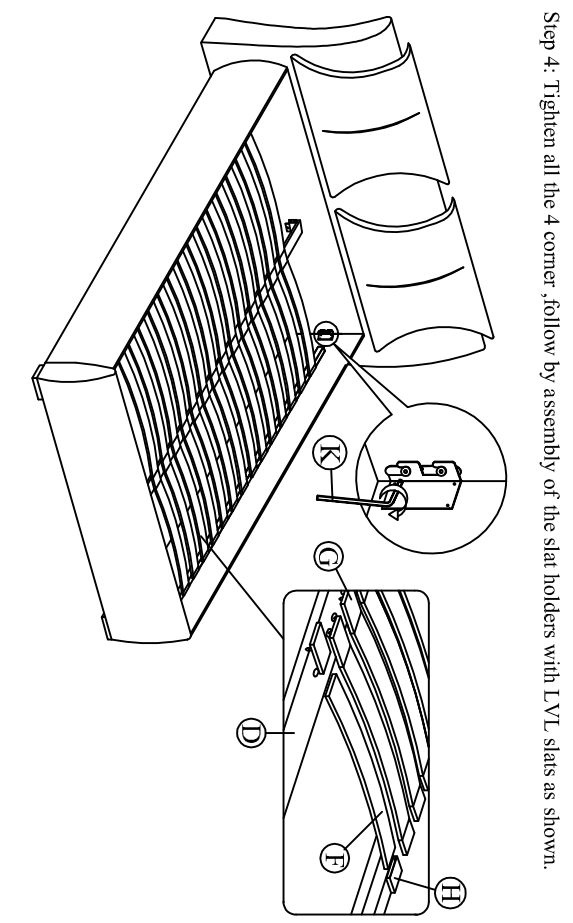
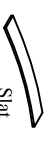

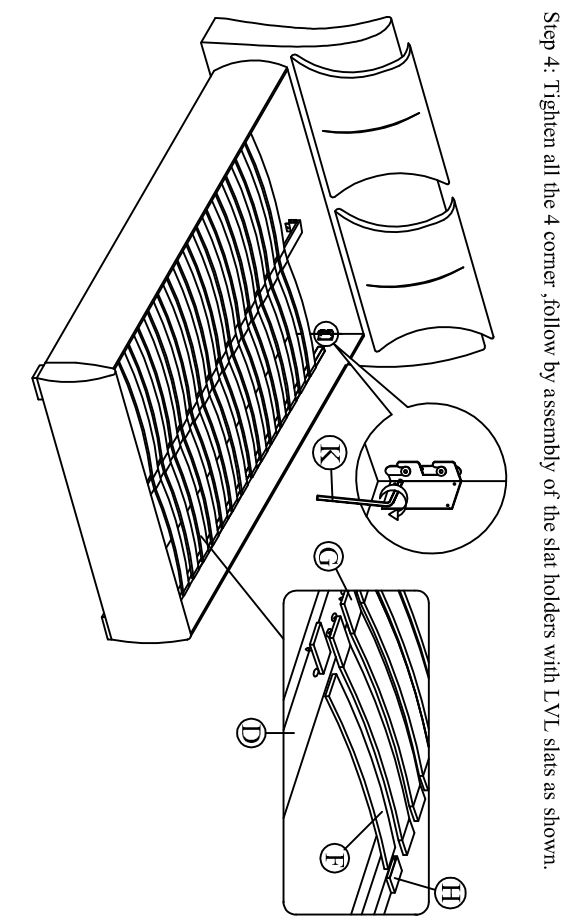
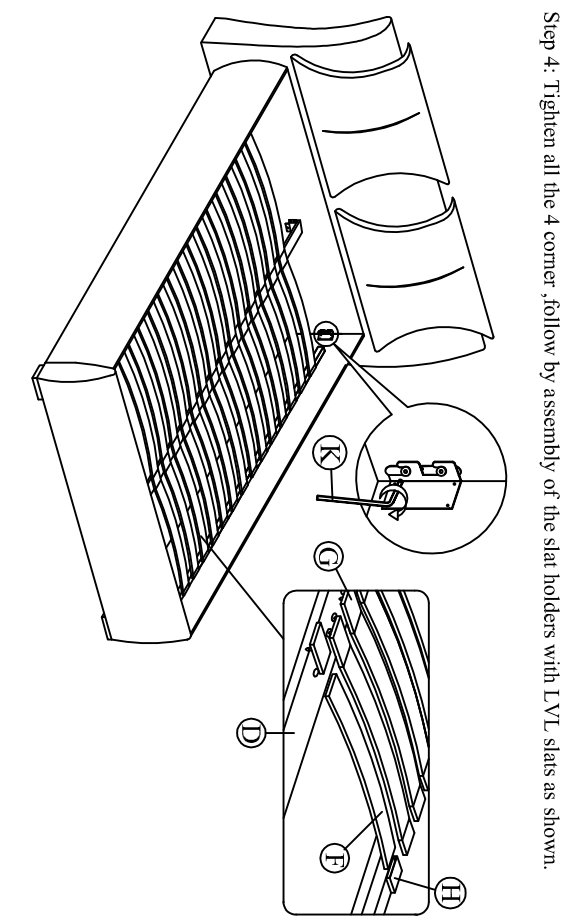


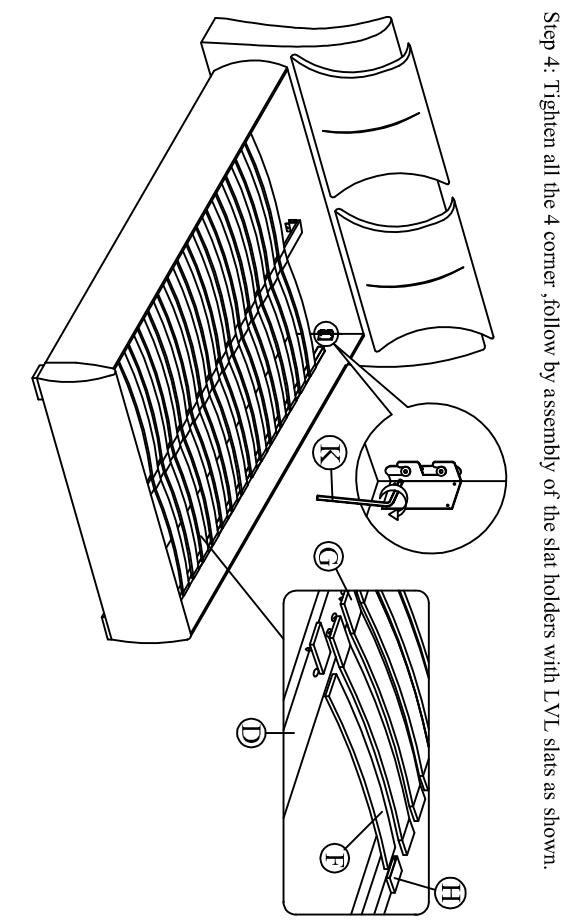
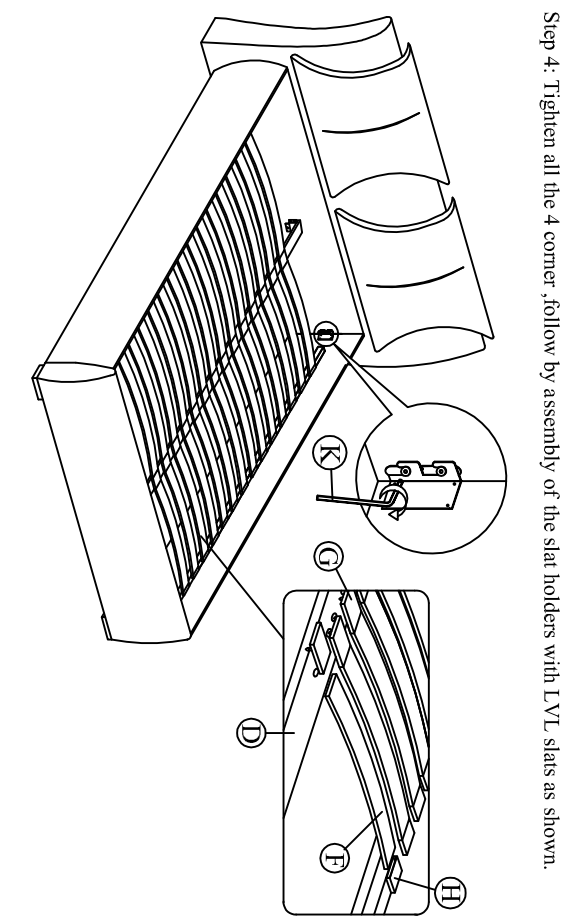


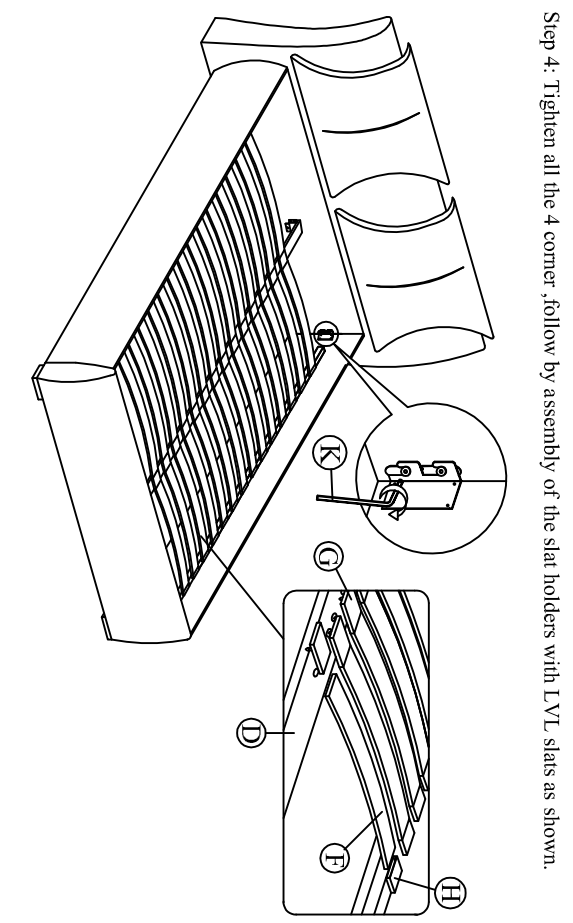
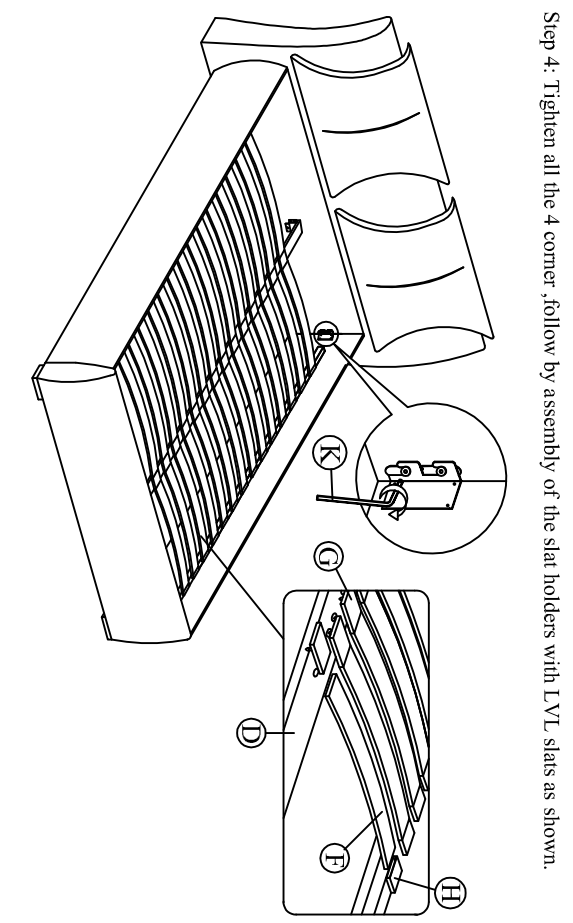



Model: CF 8269 (5')

Assembly Instruction

<p>A</p>  <p>Headboard</p> <p>1 pc</p>	<p>Step 1: Attach Side Rail (C) to Headboard (A) and Footboard (B) by pushing the bracket down to fit it.</p> 	<p>Step 2: Attach the support legs (E) to the center rail (D) of the bed as shown.</p> 
<p>B</p>  <p>Footboard</p> <p>1 pc</p>		
<p>C</p>  <p>Side Rail</p> <p>2 pcs</p>	<p>Step 3: Slide the center rail (D) to the headboard (A) and footboard (B). Tighten screws (L) using screw driver (not included) to the headboard (A) and footboard (B).</p> 	<p>Step 4: Tighten all the 4 corner follow by assembly of the slat holders with LVL slats as shown.</p> 
<p>D</p>  <p>Center rail</p> <p>1 pc</p>		
<p>E</p>  <p>Support Leg</p> <p>2 pcs</p>	<p>Step 4: Tighten all the 4 corner follow by assembly of the slat holders with LVL slats as shown.</p> 	<p>Step 4: Tighten all the 4 corner follow by assembly of the slat holders with LVL slats as shown.</p> 
<p>F</p>  <p>Slat</p> <p>28 pcs</p>		
<p>G</p>  <p>Middle Holder</p> <p>14 pcs</p>	<p>Step 4: Tighten all the 4 corner follow by assembly of the slat holders with LVL slats as shown.</p> 	<p>Step 4: Tighten all the 4 corner follow by assembly of the slat holders with LVL slats as shown.</p> 
<p>H</p>  <p>End Holder</p> <p>28 pcs</p>		
<p>I</p>  <p>JCBC M6 X 40</p> <p>2 pcs</p>	<p>Step 4: Tighten all the 4 corner follow by assembly of the slat holders with LVL slats as shown.</p> 	<p>Step 4: Tighten all the 4 corner follow by assembly of the slat holders with LVL slats as shown.</p> 
<p>J</p>  <p>M4 x 65mm</p> <p>1 pc</p>		
<p>K</p>  <p>M5 x 70mm</p> <p>1 pc</p>	<p>Step 4: Tighten all the 4 corner follow by assembly of the slat holders with LVL slats as shown.</p> 	<p>Step 4: Tighten all the 4 corner follow by assembly of the slat holders with LVL slats as shown.</p> 
<p>L</p>  <p>CSK M4 x 25mm</p> <p>2 pcs</p>		