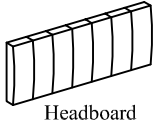
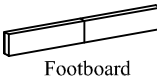

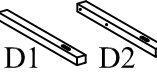
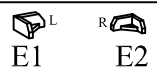
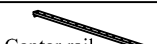
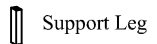
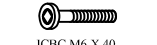
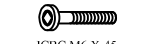
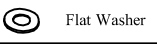
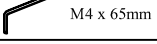
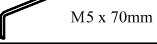
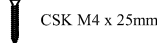
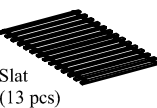

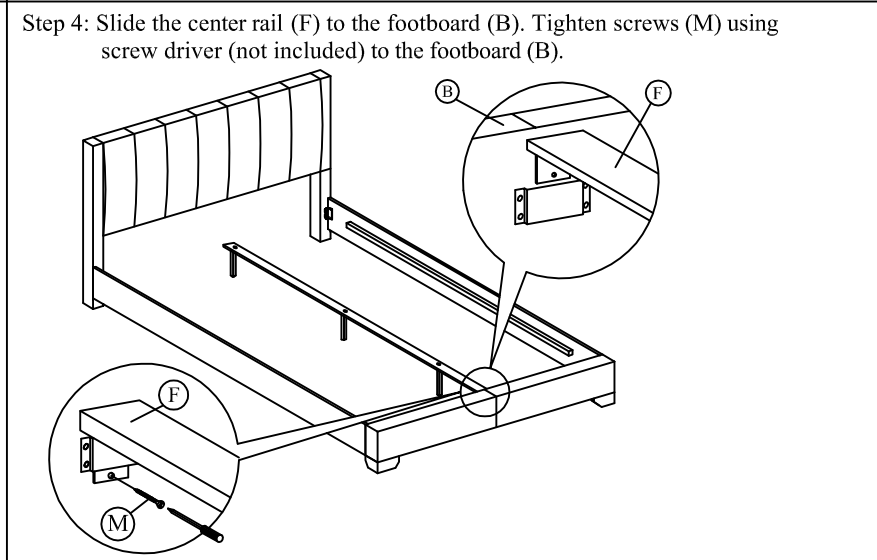
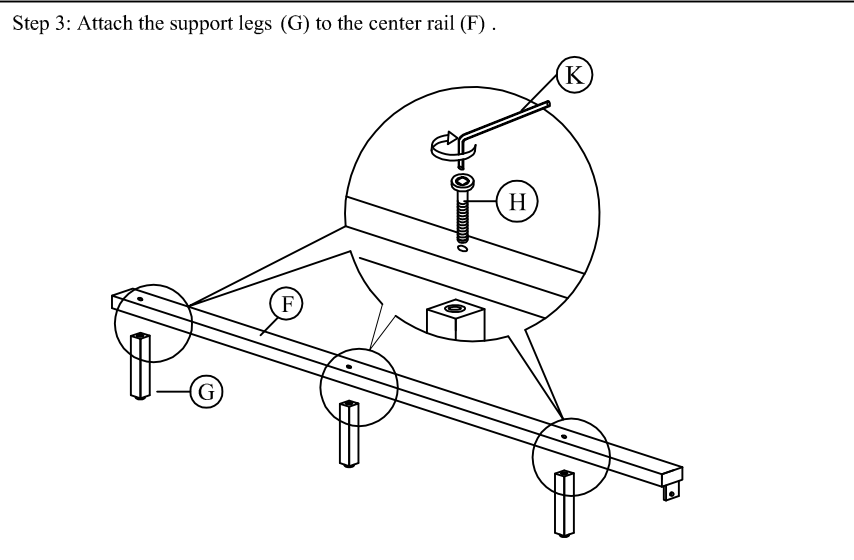
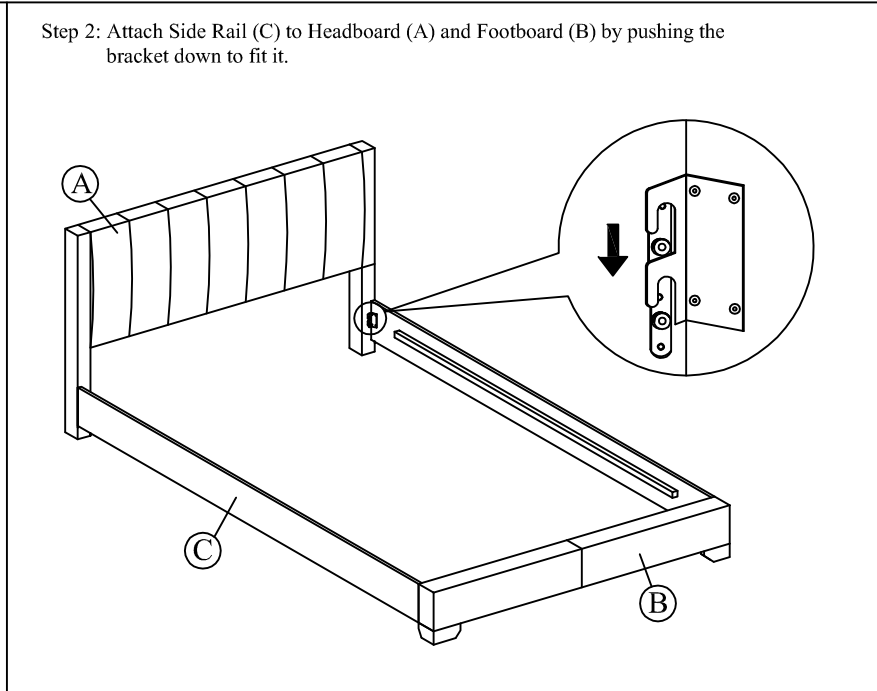
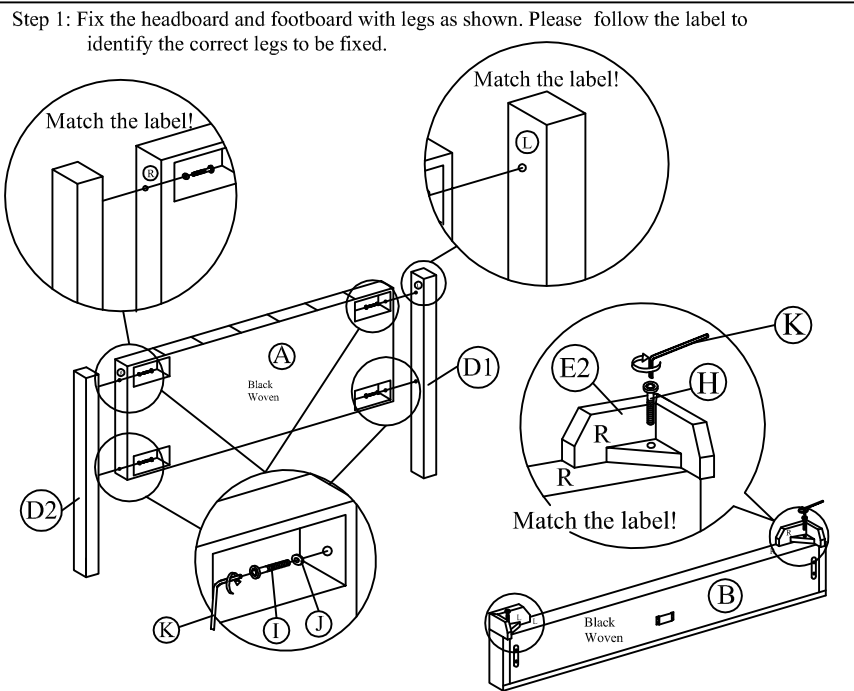


Model: 3333/4333 (4'6")
(13 Slats)

Assembly Instruction

A	 Headboard	1 pc
B	 Footboard	1 pc
C	 Side Rail	2 pcs
D	 D1 D2 Headboard Legs	2 pcs
E	 E1 E2 Footboard Legs	2 pcs
F	 Center rail	1 pc
G	 Support Leg	3 pcs
H	 JCBC M6 X 40	5 pcs
I	 JCBC M6 X 45	4 pcs
J	 Flat Washer	4 pcs
K	 M4 x 65mm	1 pc
L	 M5 x 70mm	1 pc
M	 CSK M4 x 25mm	1 pc
N	 Slat (13 pcs)	1 pc
O	 CSK M4 x 32mm	9 pcs



Step 5: Affix the Slat (N) to the side rail support wood and the center rail (F) . Tighten all the 4 corner .

