

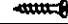






Read this instruction carefully. See hardware and furniture part list for guidance. Be sure all parts are complete, before you assemble. Place all wooden furniture parts on a clean and flat soft surface to prevent from being scratched. Follow the figure to start assembling.

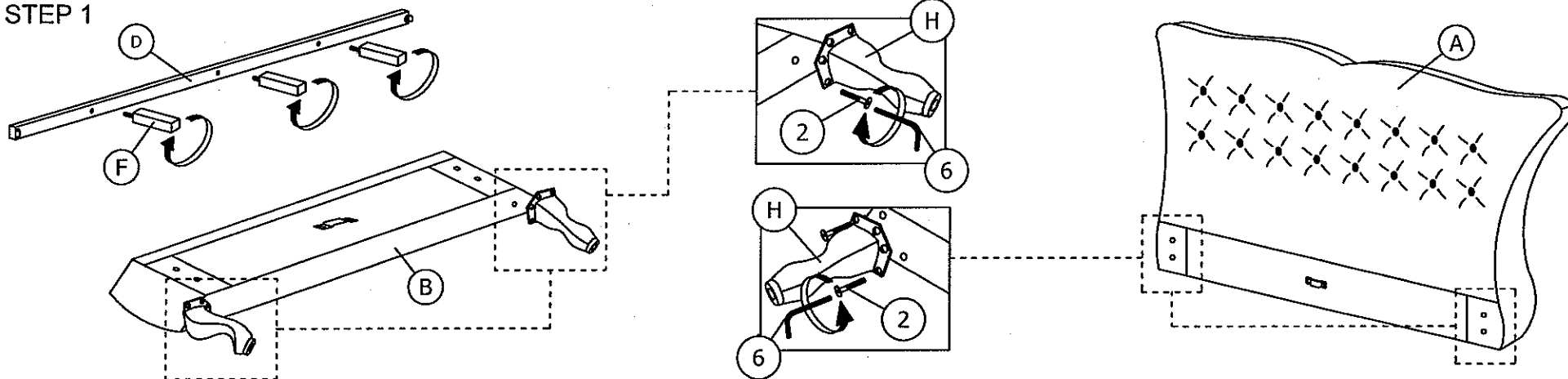
**CAUTIONS :** 1. Do not FULLY - TIGHTEN the nut or nut bolt until all nut or bolt is ready assembled.  
 2. Do not OVER - TIGHTEN the nut or bolt to avoid causing damages to the thread.  
 3. Keep all hardware parts out of reach of children.

**NOTE :** THE LIST AND QUANTITY SHOWN ARE FOR 1 UNIT ASSEMBLY.

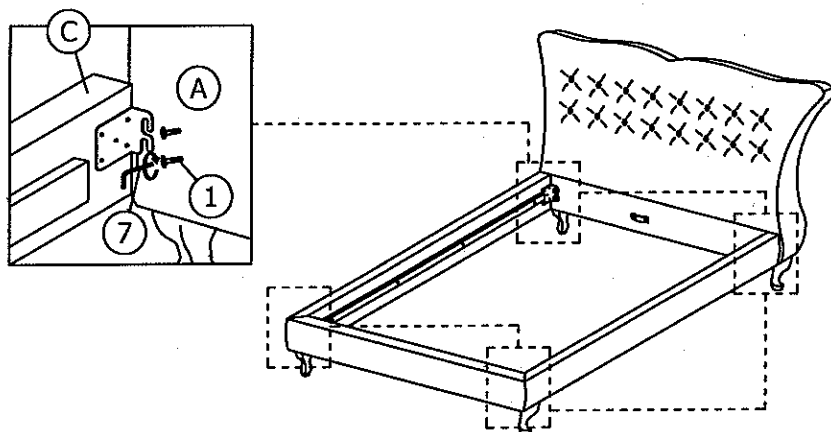
PART LIST		
ITEM	DESCRIPTION	QTY
A	HEADBOARD	1 PC
B	FOOTBOARD	1 PC
C	SIDE RAIL	2 PCS
D	CENTER RAIL	1 PC
E	CENTER SUPPORT	2 PCS
F	CENTER SUPPORT LEG	3 PCS
G	BED SLAT	26 PCS
H	BED LEG	4 PCS

PART LIST		
ITEM	DESCRIPTION	QTY
1	JCBB BOLT M8 x 40mm 	8 PCS
2	JCBC BOLT M6 x 20mm 	8 PCS
3	WOOD SCREW M3.5 x 16mm 	8 PCS
4	BED SLAT SIDE FITTER 	26 PCS
5	BED SLAT CENTER FITTER 	13 PCS
6	M4 ALLEN KEY 	1 PC
7	M5 ALLEN KEY 	1 PC

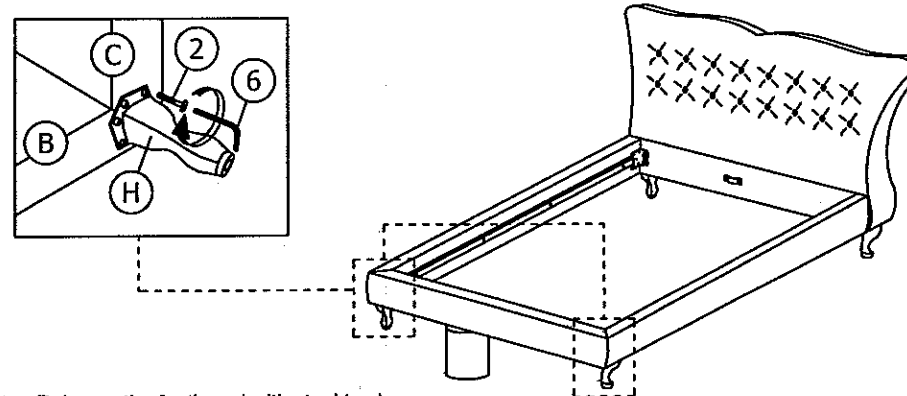
### STEP 1



### STEP 2



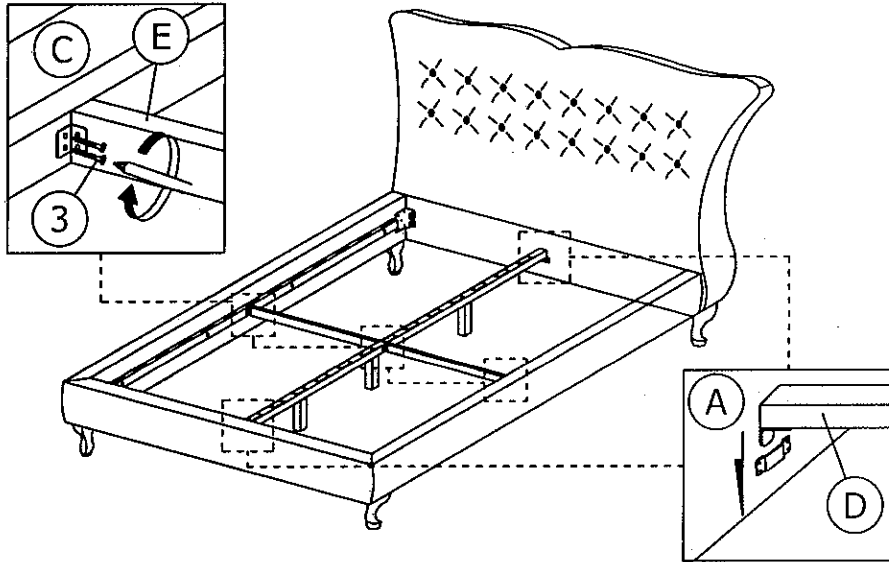
### STEP 3



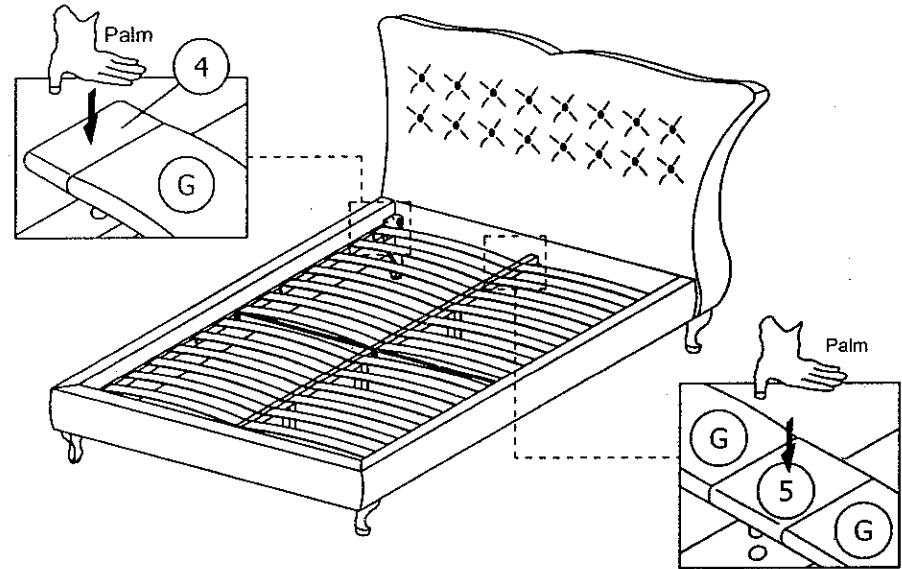
Note : Raise up the footboard with stool to skru another 1pc of JCBC BOLT on side rails.

# ASSEMBLY INSTRUCTIONS

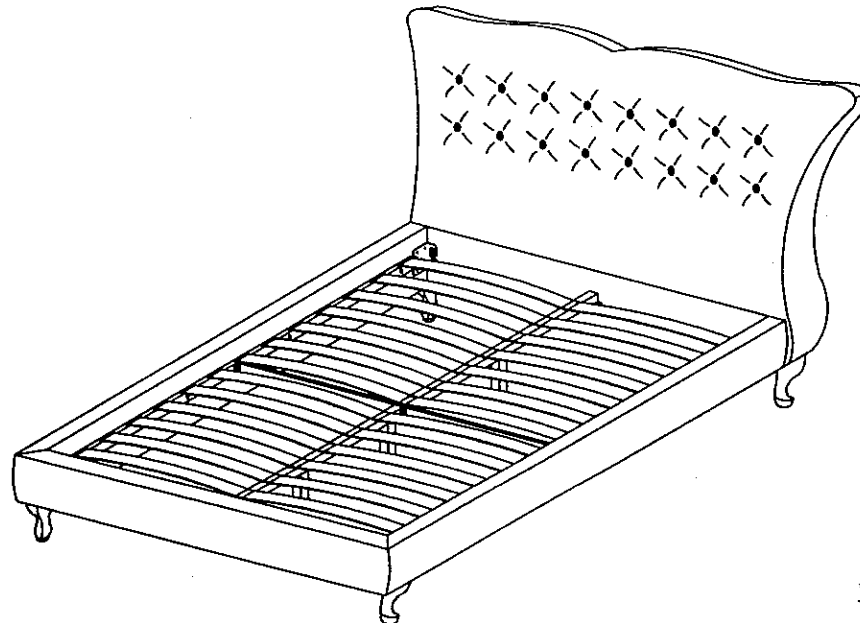
## STEP 4



## STEP 5



## STEP 6



\* When moving the bed position, the center support legs must be adjust to be straight to avoid any broken problem.