

Read this instruction carefully. See hardware and furniture part list for guidance. Be sure all parts are complete, before you assemble. Place all wooden furniture parts on a clean and flat soft surface to prevent from being scratched. Follow the figure to start assembling.

CAUTIONS :

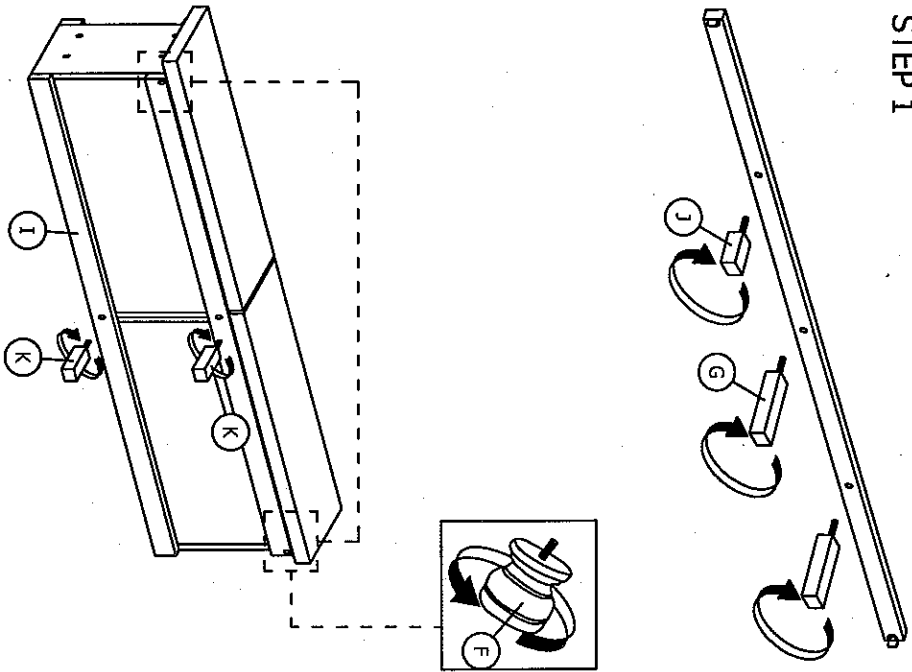
1. Do not FULLY - TIGHTEN the nut or nut bolt until all nut or bolt is ready assembled.
2. Do not OVER - TIGHTEN the nut or bolt to avoid causing damages to the thread.
3. Keep all hardware parts out of reach of children.

NOTE : THE LIST AND QUANTITY SHOWN ARE FOR 1 UNIT ASSEMBLY.

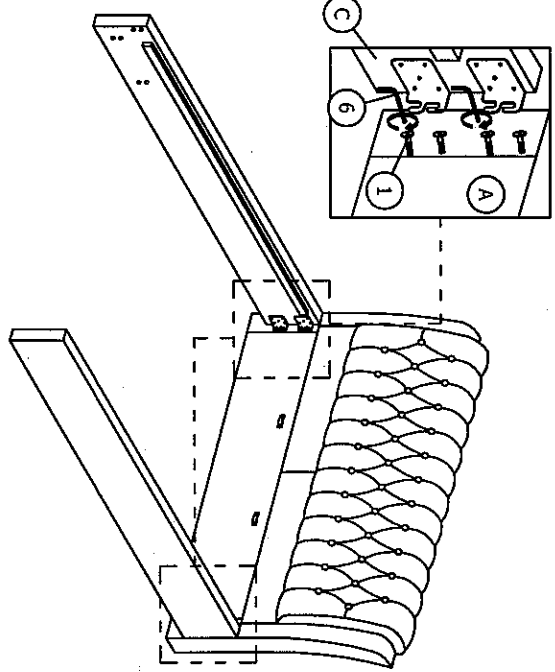
ITEM	DESCRIPTION	QTY
A	HEADBOARD	1 PC
B	FOOTBOARD	1 PC
C	SIDE RAIL	2 PCS
D	CENTER RAIL	2 PCS
E	CENTER SUPPORT	3 PCS
F	BED LEG	2 PCS
G	CENTER SUPPORT LEG (LONG)	4 PCS
H	BED SLAT	39 PCS
I	DRAWER BOX	1 PC
J	CENTER SUPPORT LEG (SHORT)	2 PCS
K	DRAWER BOX SUPPORT LEG	2 PCS

ITEM	DESCRIPTION	QTY
1	ICBB BOLT M8 X 30MM	12 PCS
2	ICBC BOLT M6 X 45MM	8 PCS
3	WOOD SCREW M3.5 X 16MM	12 PCS
4	BED SLAT CENTER FITTER	26 PCS
5	BED SLAT SIDE FITTER	26 PCS
6	M5 ALLEN KEY	1 PC
7	M4 ALLEN KEY	1 PC
8	M6 FLAT WASHER	8 PCS

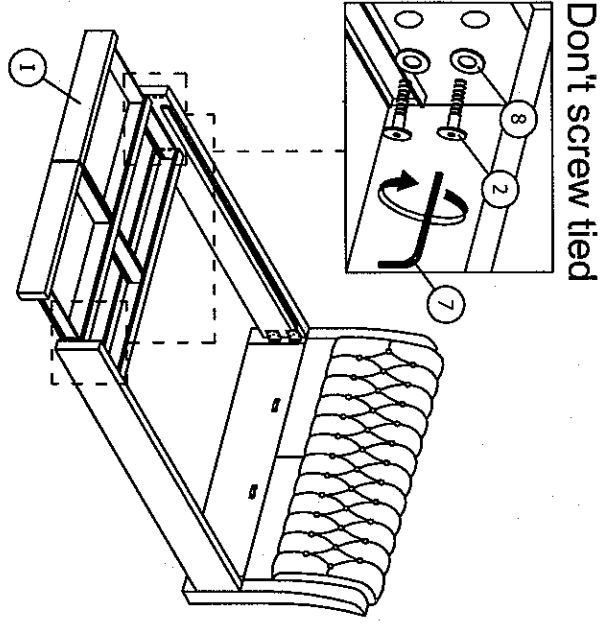
STEP 1



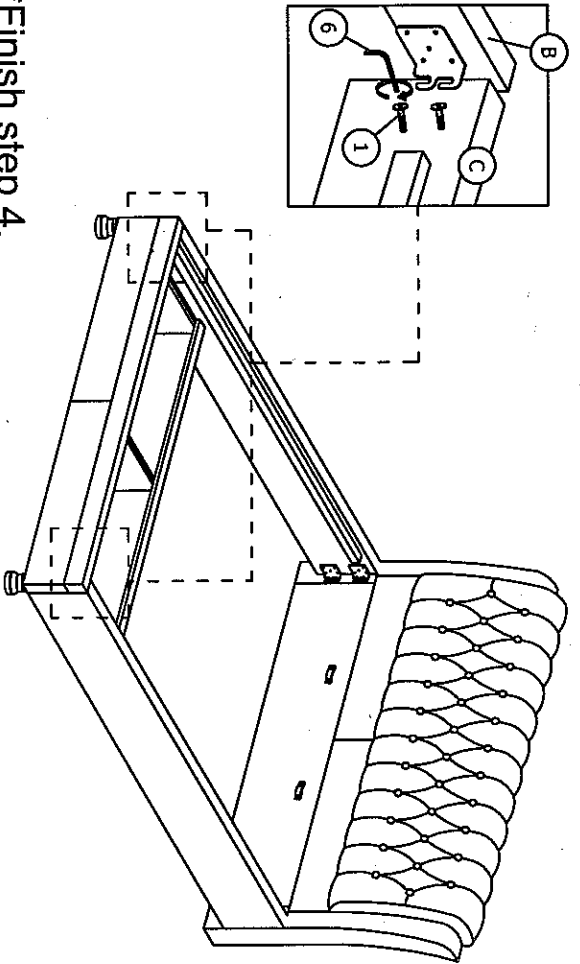
STEP 2



STEP 3

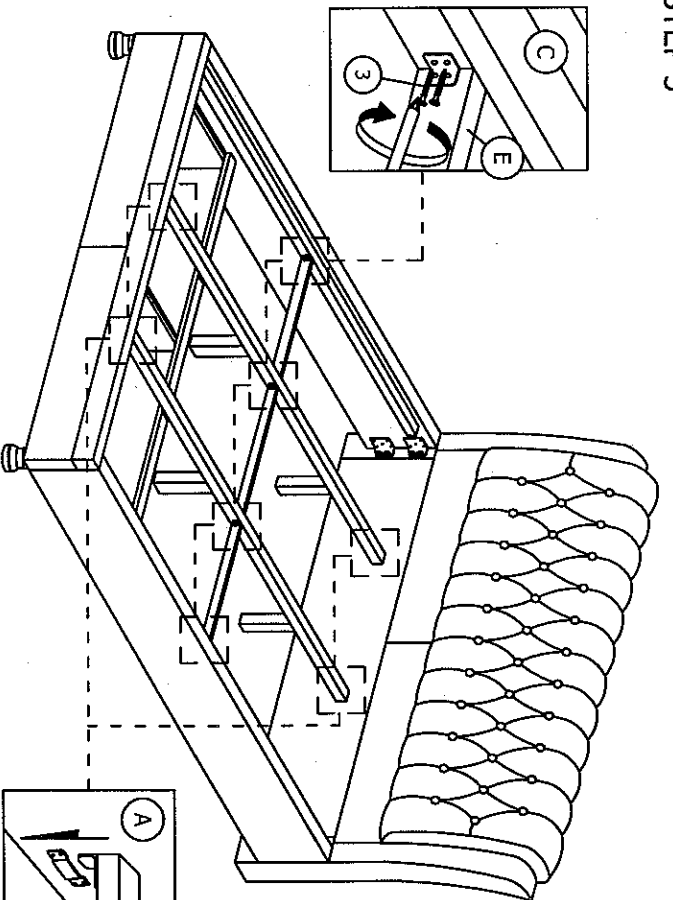


STEP 4

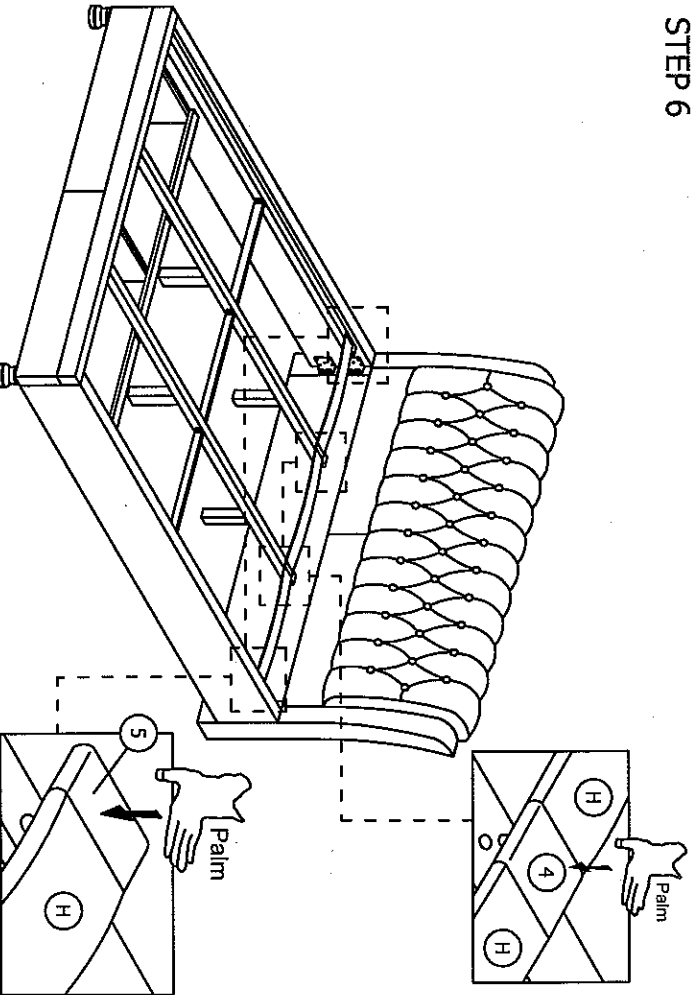


****Finish step 4,
Please screw tied the step 3 bolt.**

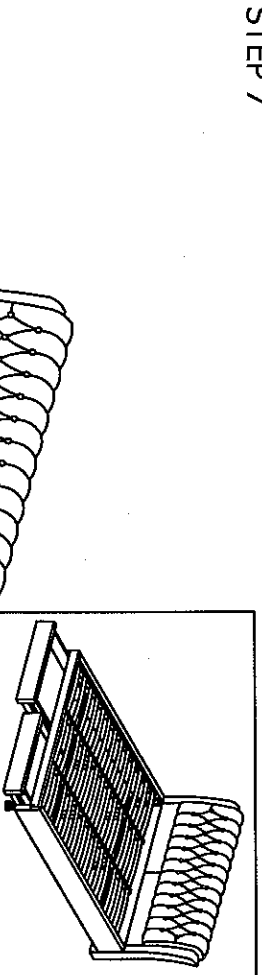
STEP 5



STEP 6



STEP 7



*When moving the bed position, the center support legs must be adjust to be straight to avoid any broken problem.