

ASSEMBLY INSTRUCTIONS

MODEL : BBT 6377 6' Bed

Read this instruction carefully. See hardware and furniture part list for guidance. Be sure all parts are complete, before you assemble. Place all wooden furniture parts on a clean and flat soft surface to prevent from being scratched. Follow the figure to start assembling.

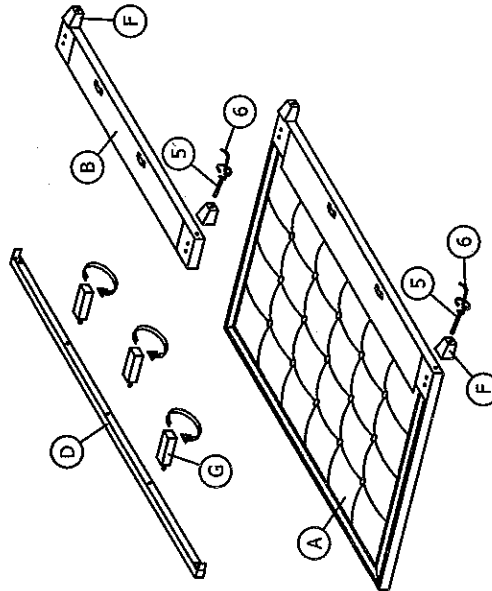
- CAUTIONS :**
1. Do not FULLY - TIGHTEN the nut or nut bolt until all nut or bolt is ready assembled.
 2. Do not OVER - TIGHTEN the nut or bolt to avoid causing damages to the thread.
 3. Keep all hardware parts out of reach of children.

NOTE : THE LIST AND QUANTITY SHOWN ARE FOR 1 UNIT ASSEMBLY.

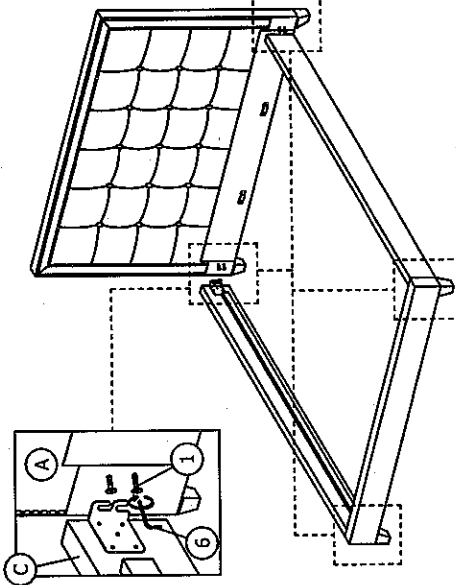
| ITEM | DESCRIPTION | QTY |
|------|---------------------------|--------|
| 1 | JCBB BOLT M8 x 30mm | 8 PCS |
| 2 | WOOD SCREW M3.5 x 16mm | 12 PCS |
| 3 | BED SLAT SIDE FITTER | 26 PCS |
| 4 | BED SLAT CENTER FITTER | 26 PCS |
| 5 | JCBB BOLT M8 x 70mm | 4 PCS |
| 6 | M5 ALLEN KEY (BALL SHAPE) | 1 PC |

| ITEM | DESCRIPTION | QTY |
|------|--------------------|--------|
| A | HEADBOARD | 1 PC |
| B | FOOTBOARD | 1 PC |
| C | SIDE RAIL | 2 PCS |
| D | CENTER RAIL | 2 PCS |
| E | CENTER SUPPORT | 3 PCS |
| F | BED LEG | 4 PCS |
| G | CENTER SUPPORT LEG | 6 PCS |
| H | BED SLAT | 39 PCS |

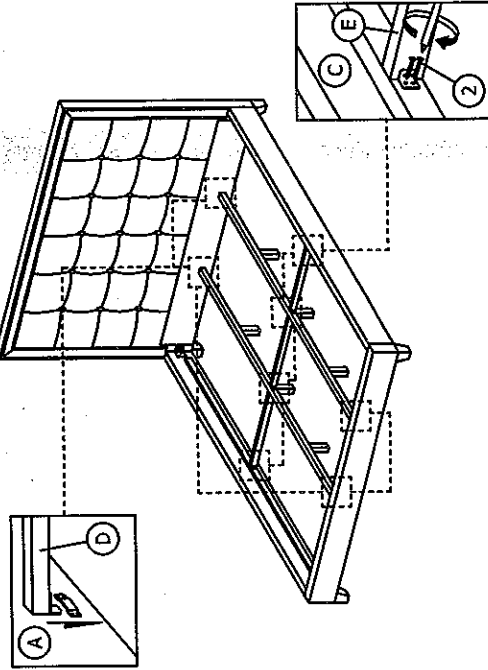
STEP 1



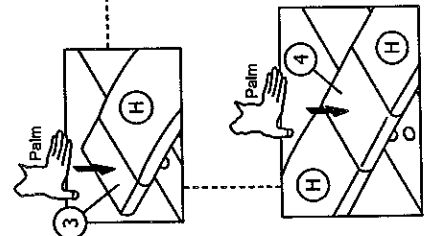
STEP 2



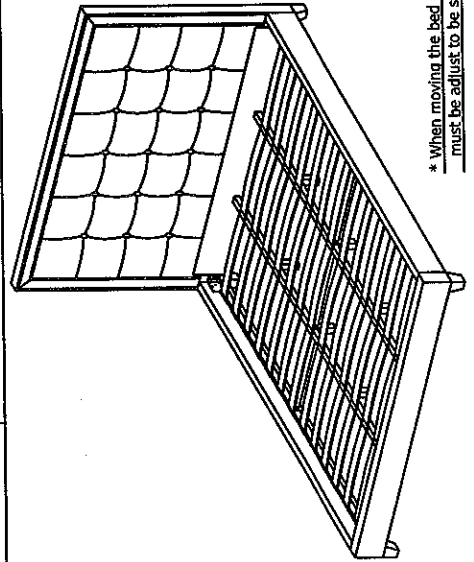
STEP 3



STEP 4



STEP 5



* When moving the bed position, the center support legs must be adjust to be straight to avoid any broken problem.