

ASSEMBLY INSTRUCTIONS

MODEL : BBT6354 6' Bed

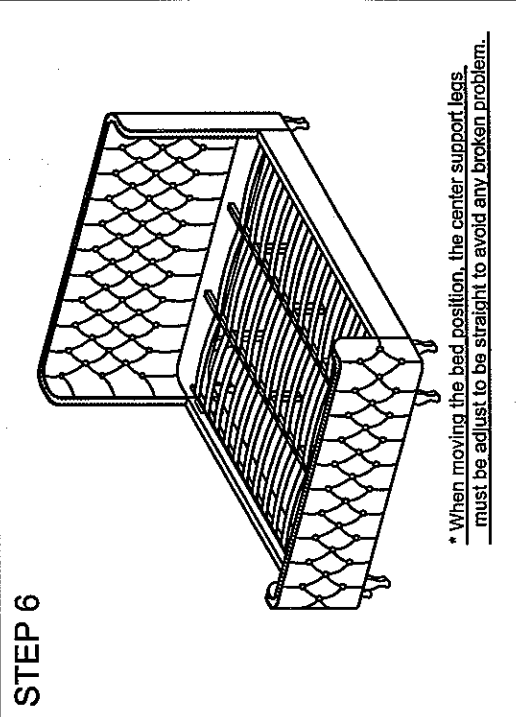
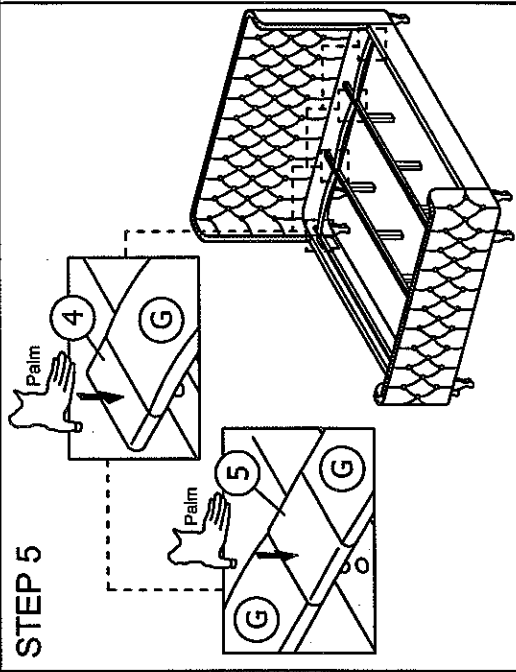
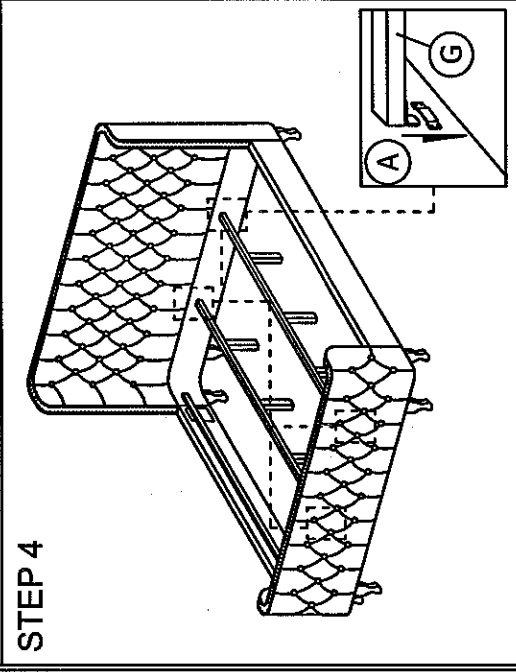
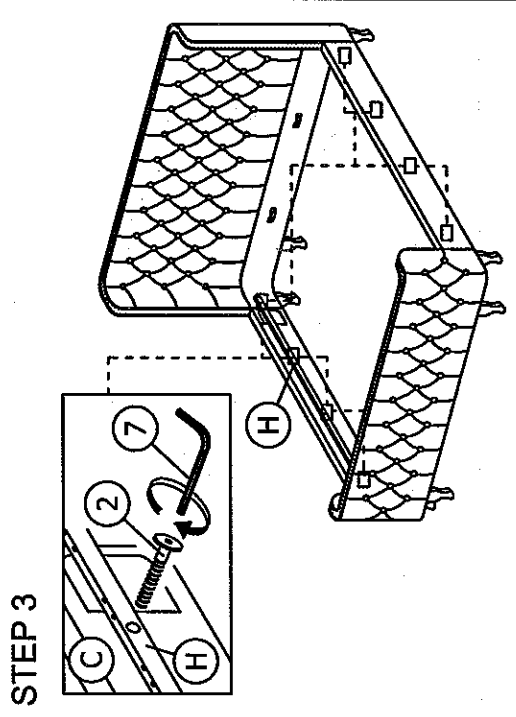
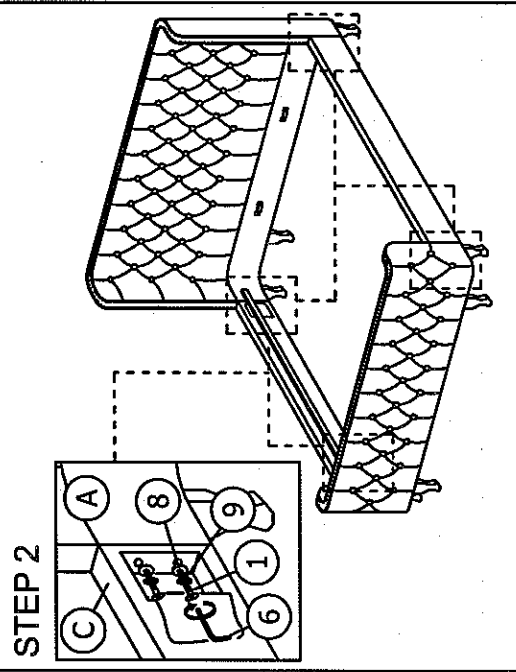
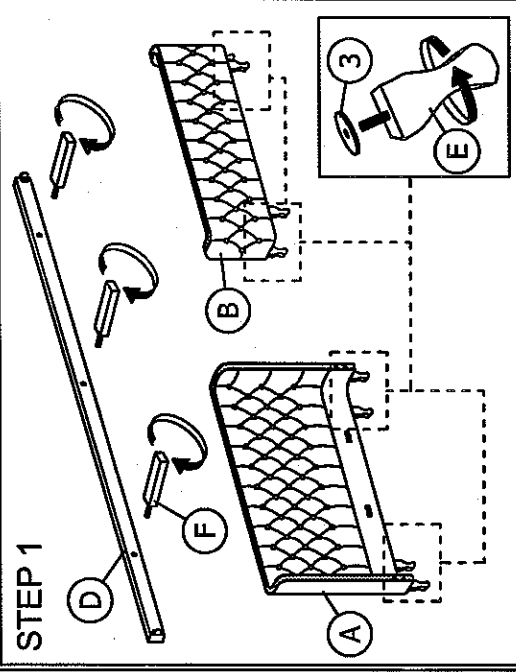
Read this instruction carefully. See hardware and furniture part list for guidance. Be sure all parts are complete, before you assemble. Place all wooden furniture parts on a clean and flat soft surface to prevent from being scratched. Follow the figure to start assembling.

- CAUTIONS :**
1. Do not FULLY - TIGHTEN the nut or bolt until all nut or bolt is ready assembled.
 2. Do not OVER - TIGHTEN the nut or bolt to avoid causing damages to the thread.
 3. Keep all hardware parts out of reach of children.

NOTE : THE LIST AND QUANTITY SHOWN ARE FOR 1 UNIT ASSEMBLY.

PART LIST		
ITEM	DESCRIPTION	QTY
A	HEADBOARD	1 PC
B	FOOTBOARD	1 PC
C	SIDE RAIL	2 PCS
D	CENTER RAIL	2 PCS
E	BED LEG	8 PCS
F	CENTER SUPPORT LEG	6 PCS
G	BED SLAT	39 PCS
H	SIDE RAIL WOOD	2 PCS

PART LIST		
ITEM	DESCRIPTION	QTY
1	JCBB BOLT M8 x 50mm	8 PCS
2	JCBC BOLT M6 x 40mm	8 PCS
3	PVC Black Washer	8 PCS
4	BED SLAT SIDE FITTER	26 PCS
5	BED SLAT CENTER FITTER	26 PCS
6	M5 ALLEN LEY	1 PC
7	M4 ALLEN LEY	1 PC
8	M8 FLAT WASHER	8 PCS
9	M8 SPRING WASHER	8 PCS



* When moving the bed position, the center support legs must be adjust to be straight to avoid any broken problem.