

ASSEMBLY INSTRUCTIONS

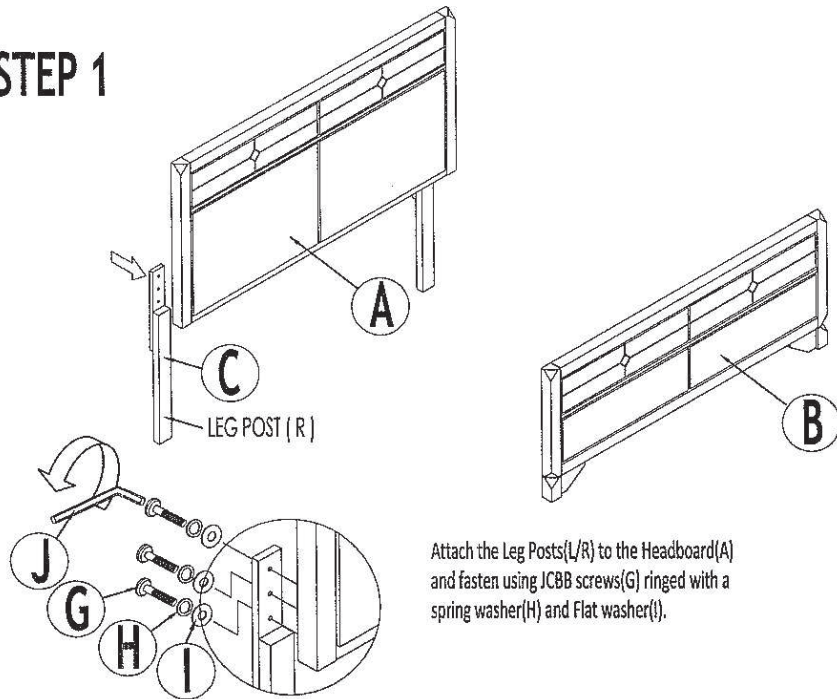
ITEM NO : C2180A-QXB / C2180-BXN

DESCRIPTION : QUEEN HEADBOARD / FOOTBOARD WITH SLATS / QUEEN SIDE RAIL

ITEM	DRAWING	DESCRIPTION	QTY
A		HEADBOARD	1
B		FOOTBOARD	1
C		LEG POST (L/R)	2
D		SIDE RAIL	2
E		SLAT	4

ITEM	DRAWING	DESCRIPTION	QTY
F		VERTICAL LEG	4
G		JCBB M8 x 40mm	6
H		SPRING WASHER M8	6
I		FLAT WASHER M8	6
J		ALLEN KEY M5	1
K		JCBB M6 x 35mm	4
L		ALLEN KEY M4	1
M		PANHEAD SCREW M4 x 32mm	8

STEP 1



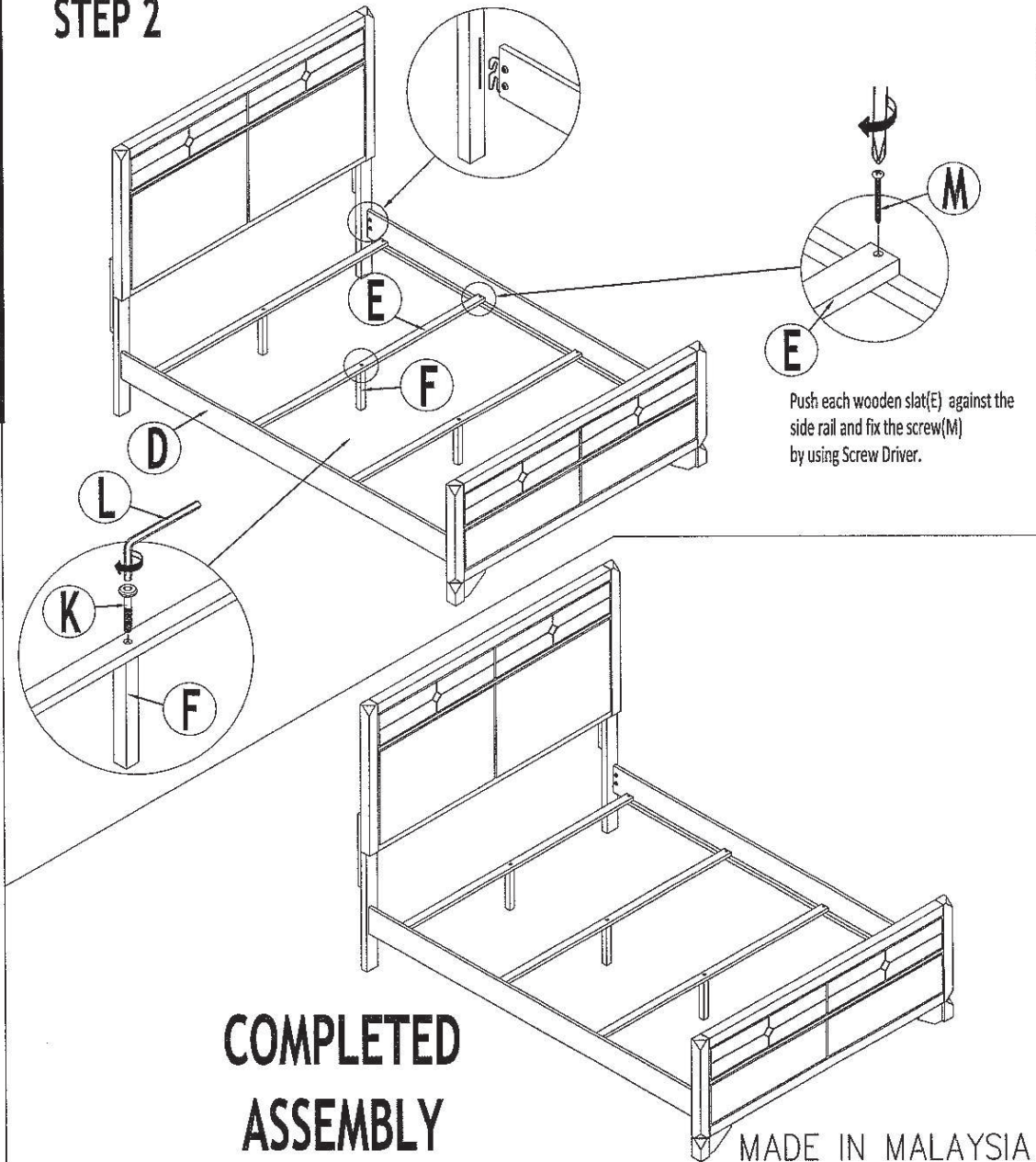
Attach the Leg Posts(L/R) to the Headboard(A) and fasten using JCBB screws(G) ringed with a spring washer(H) and Flat washer(I).

NOTE: SCREWS LOOSEN WITH USE.CHECK FOR LOOSE SCREWS AND TIGHTEN EVERY 6-8 WEEKS

CLEANING INSTRUCTIONS:

Clean & polish all surfaces after assembly with a soft cloth and industrial furniture polish.

STEP 2



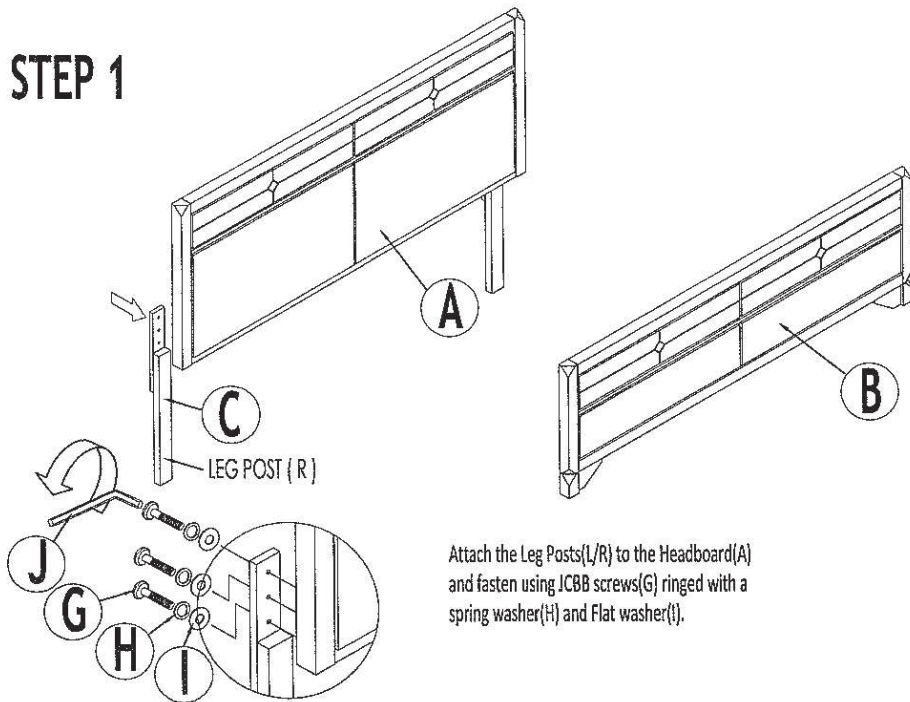
ASSEMBLY INSTRUCTIONS

ITEM NO : C2180A-QXB / C2180A-BXN

DESCRIPTION : KING HEADBOARD / FOOTBOARD WITH SLAT / KING SIDE RAIL

ITEM	DRAWING	DESCRIPTION	QTY	ITEM	DRAWING	DESCRIPTION	QTY
A		HEADBOARD	1	F		VERTICAL LEG	8
B		FOOTBOARD	1	G		JCBB M8 x 40mm	6
C		LEG POST (L/R)	2	H		SPRING WASHER M8	6
D		SIDE RAIL	2	I		FLAT WASHER M8	6
E		SLAT	4	J		ALLEN KEY M5	1
				K		JCBC M6 x 35mm	8
				L		ALLEN KEY M4	1
				M		PANHEAD SCREW M4 x 32mm	8

STEP 1

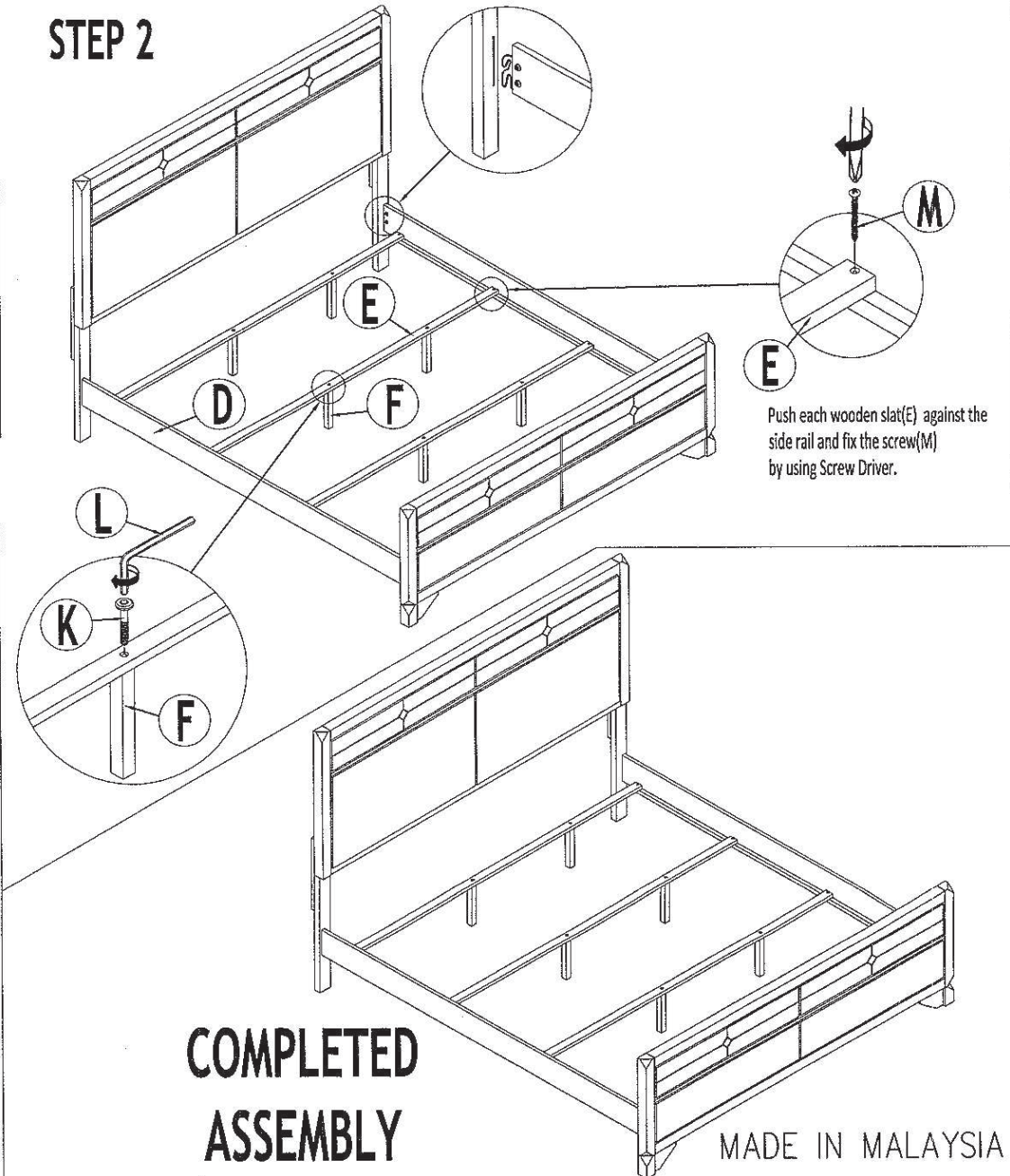


NOTE: SCREWS LOOSEN WITH USE. CHECK FOR LOOSE SCREWS AND TIGHTEN EVERY 6-8 WEEKS

CLEANING INSTRUCTIONS:

Clean & polish all surfaces after assembly with a soft cloth and industrial furniture polish.

STEP 2



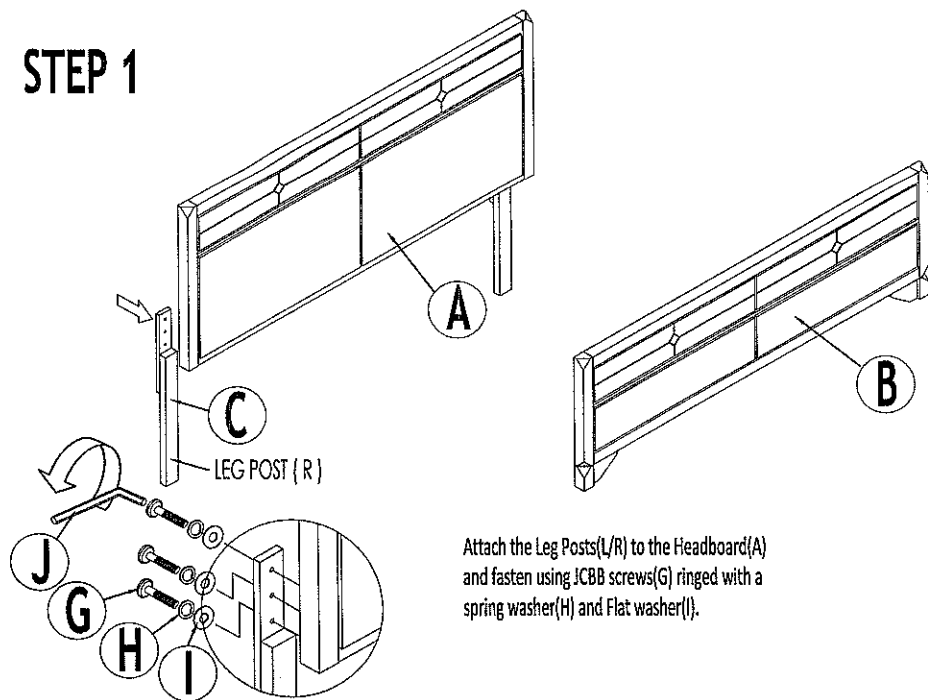
ASSEMBLY INSTRUCTIONS

ITEM NO : C2180A-GXB / C2180A-CXO

DESCRIPTION : KING / C.K HEADBOARD / FOOTBOARD WITH SLAT / C.K SIDE RAIL

ITEM	DRAWING	DESCRIPTION	QTY	ITEM	DRAWING	DESCRIPTION	QTY
A		HEADBOARD	1	F		VERTICAL LEG	8
B		FOOTBOARD	1	G		JCBB M8 x 40mm	6
C		LEG POST (L/R)	2	H		SPRING WASHER M8	6
D		SIDE RAIL	2	I		FLAT WASHER M8	6
E		SLAT	4	J		ALLEN KEY M5	1
				K		JCBC M6 x 35mm	8
				L		ALLEN KEY M4	1
				M		CSK SCREW M3.5 x 12mm	16
				N		L BRACKET	8

STEP 1

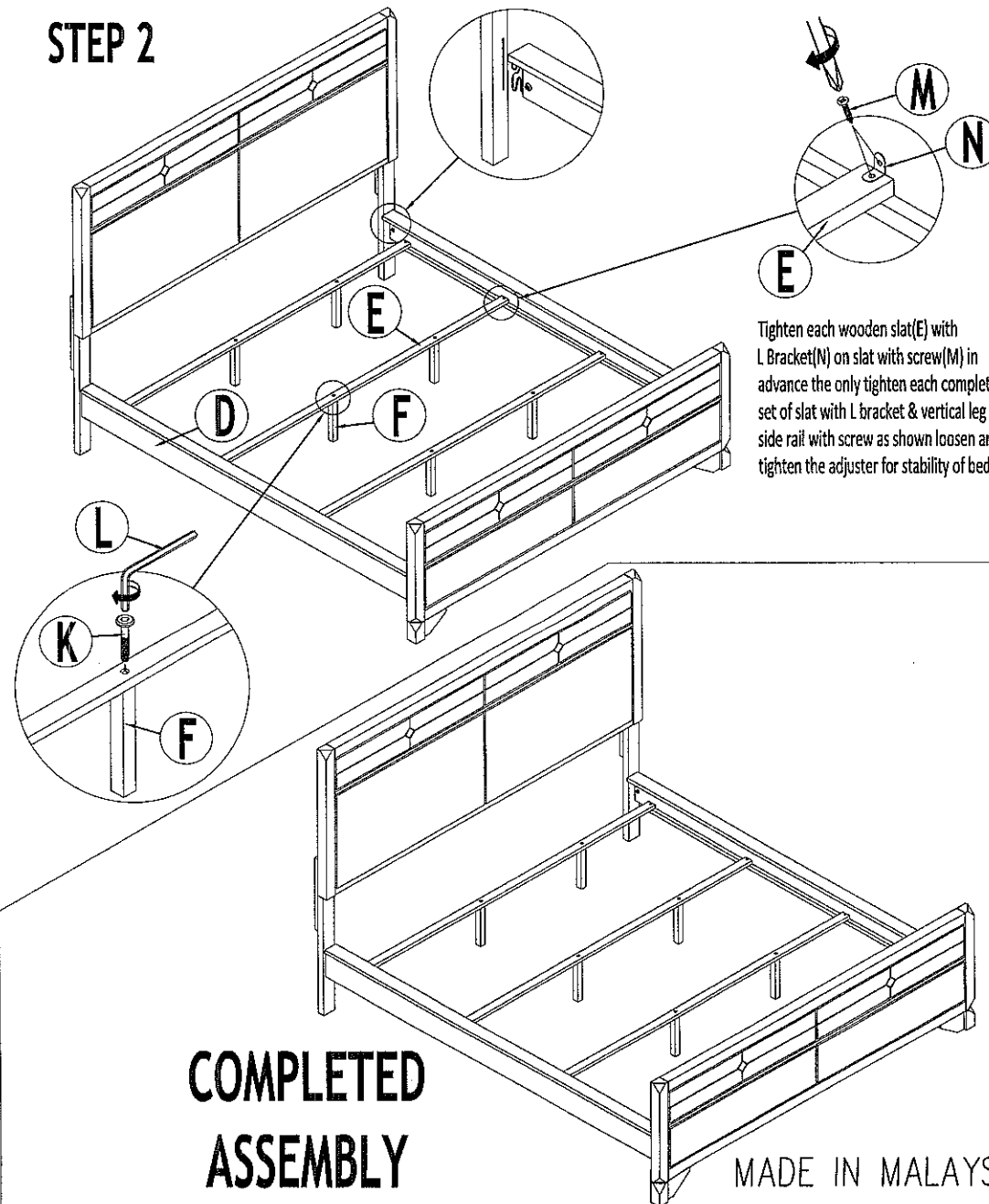


NOTE: SCREWS LOOSEN WITH USE. CHECK FOR LOOSE SCREWS AND TIGHTEN EVERY 6-8 WEEKS

CLEANING INSTRUCTIONS:

Clean & polish all surfaces after assembly with a soft cloth and industrial furniture polish.

STEP 2



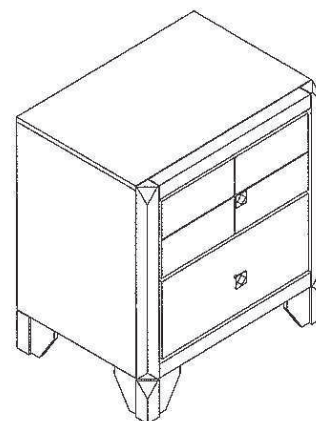
MADE IN MALAYSIA

ASSEMBLY INSTRUCTIONS

ITEM NO : C2180A-020-2DC0
DESCRIPTION : NIGHT STAND

Place all wood parts on a clean and smooth surface to keep them from being scratched.

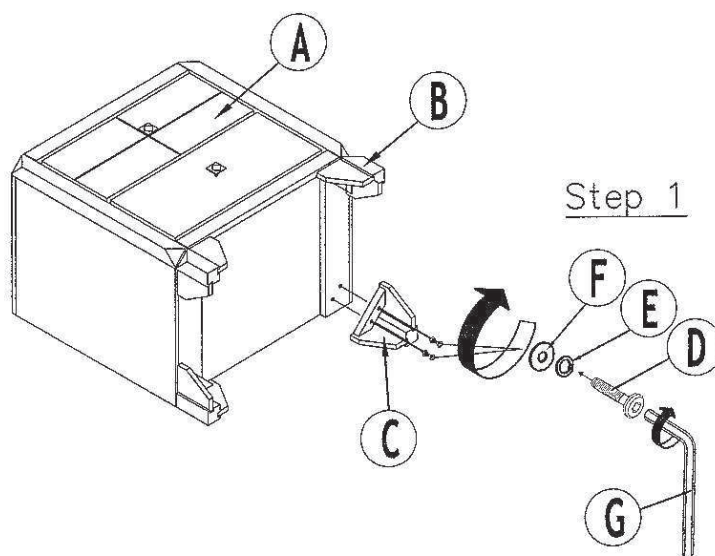
ITEM	DRAWING	DESCRIPTION	QTY
A		NIGHT STAND	1
B		FRONT LEG	2
C		BACK LEG (L/R)	2
D		JCBC M6 x 35mm	8
E		SPRING WASHER M8	8
F		FLAT WASHER M8	8
G		ALLEN KEY M4	1



COMPLETED NIGHT STAND & LEG ASSEMBLY

STEP 1

Attach & tighten the Leg to the Night stand and fasten using JCBC screws(D) ringed with a Spring Washer(E) and Flat Washer(F) as shown.



Step 1

NOTE: SCREWS LOOSEN WITH USE.
CHECK FOR LOOSE SCREWS AND TIGHTEN EVERY 6-8 WEEKS

CLEANING INSTRUCTIONS:

If necessary, clean & polish all surfaces after assembly with a soft cloth and industrial furniture polish.

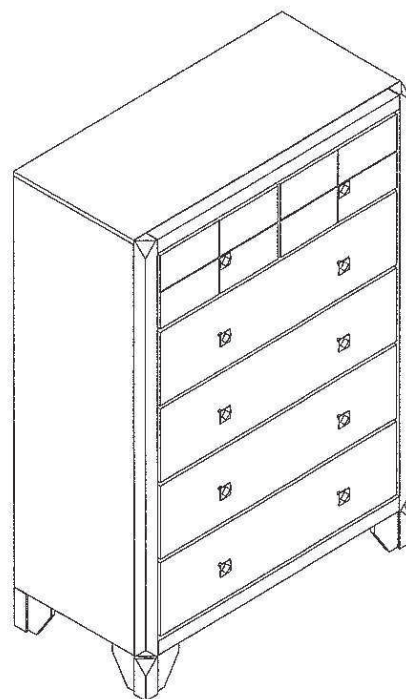
MADE IN MALAYSIA

ASSEMBLY INSTRUCTIONS

ITEM NO : C2180A-030-5DCO
DESCRIPTION : CHEST

Place all wood parts on a clean and smooth surface to keep them from being scratched.

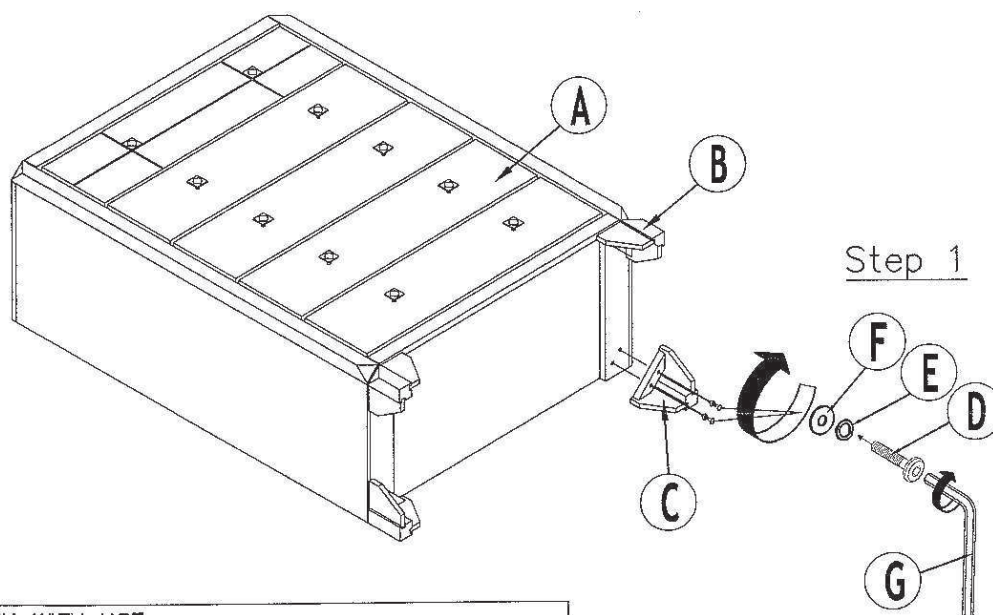
ITEM	DRAWING	DESCRIPTION	QTY
A		CHEST	1
B		FRONT LEG	2
C		BACK LEG (L/R)	2
D		JCBC M6 x 35mm	8
E		SPRING WASHER M8	8
F		FLAT WASHER M8	8
G		ALLEN KEY M4	1



COMPLETED CHEST & LEG ASSEMBLY

STEP 1

Attach & tighten the Leg to the Chest and fasten using JCBC screws(D) ringed with a Spring Washer(E) and Flat Washer(F) as shown.



Step 1

NOTE: SCREWS LOOSEN WITH USE.
CHECK FOR LOOSE SCREWS AND TIGHTEN EVERY 6-8 WEEKS

CLEANING INSTRUCTIONS:

If necessary, clean & polish all surfaces after assembly with a soft cloth and industrial furniture polish.

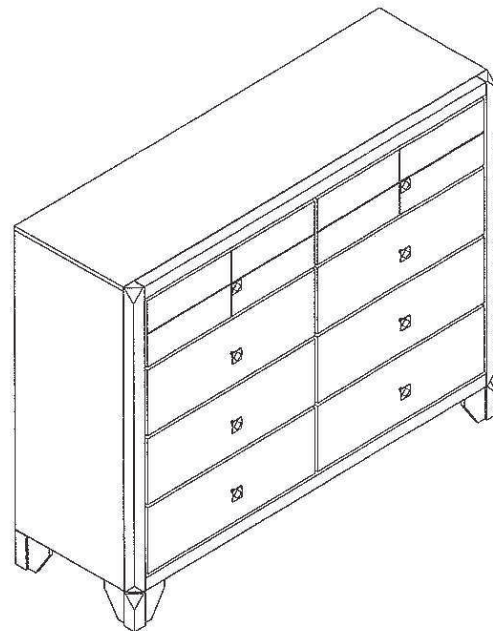
MADE IN MALAYSIA

ASSEMBLY INSTRUCTIONS

ITEM NO : C2180A-040-8DCO
DESCRIPTION : DRESSER

Place all wood parts on a clean and smooth surface to keep them from being scratched.

ITEM	DRAWING	DESCRIPTION	QTY
A		DRESSER	1
B		FRONT LEG	2
C		BACK LEG (L/R)	2
D		CENTER LEG	1
E		JCBC M6 x 35mm	8
F		SPRING WASHER M8	8
G		FLAT WASHER M8	8
H		ALLEN KEY M4	1



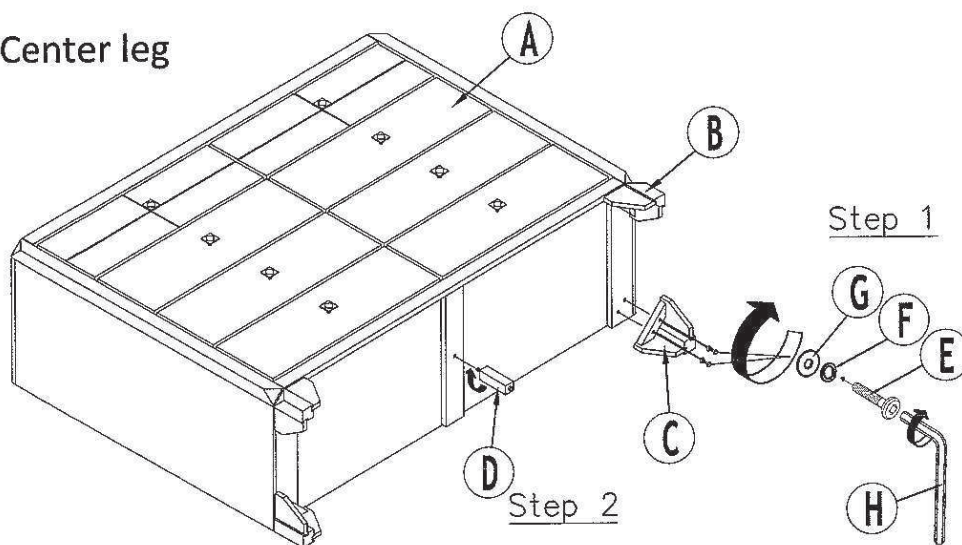
COMPLETED DRESSER & LEG ASSEMBLY

STEP 1

Attach & tighten the Leg to the Dresser and fasten using JCBC screws(E) ringed with a Spring Washer(F) and Flat Washer(G) as shown.

STEP 2

Tighten the Center leg



NOTE: SCREWS LOOSEN WITH USE.
CHECK FOR LOOSE SCREWS AND TIGHTEN EVERY 6-8 WEEKS

CLEANING INSTRUCTIONS:


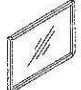





If necessary, clean & polish all surfaces after assembly with a soft cloth and industrial furniture polish.

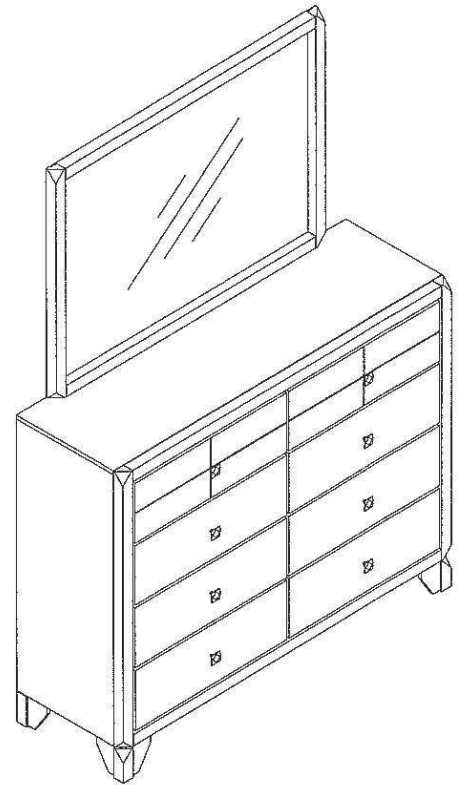
MADE IN MALAYSIA

ASSEMBLY INSTRUCTIONS

ITEM NO : C2180A-040-8DCO / C2180A-050-MHCO
DESCRIPTION : DRESSER / MIRROR

Place all wood parts on a clean and smooth surface to keep them from being scratched.

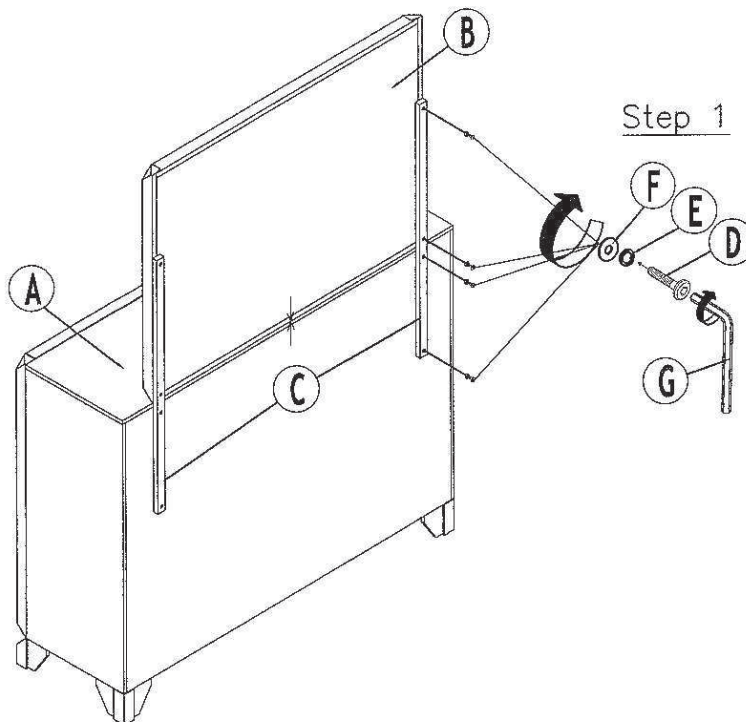
ITEM	DRAWING	DESCRIPTION	QTY
A		DRESSER	1
B		MIRROR	1
C		MIRROR SUPPORT	2
D		JCBC M6 x 35mm	8
E		SPRING WASHER M8	8
F		FLAT WASHER M8	8
G		ALLEN KEY M4	1



COMPLETED DRESSER & MIRROR ASSEMBLY

STEP 1

Attach & tighten the Mirror to the Mirror Support and fasten using JCBC screws(D) ringed with a Spring Washer(E) and Flat Washer(F) as shown.



NOTE: SCREWS LOOSEN WITH USE.
CHECK FOR LOOSE SCREWS AND TIGHTEN EVERY 6-8 WEEKS

CLEANING INSTRUCTIONS:

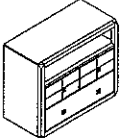
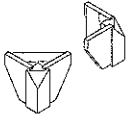
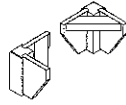




If necessary, clean & polish all surfaces after assembly with a soft cloth and industrial furniture polish.

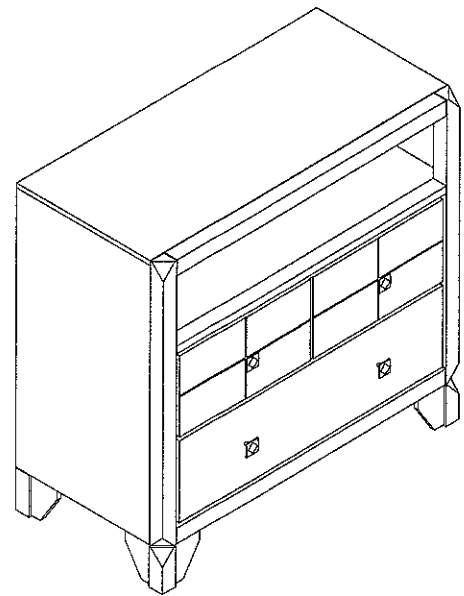
MADE IN MALAYSIA

ASSEMBLY INSTRUCTIONS

ITEM NO : C2180A-070-2DCO
DESCRIPTION : PLASMA CHEST

Place all wood parts on a clean and smooth surface to keep them from being scratched.

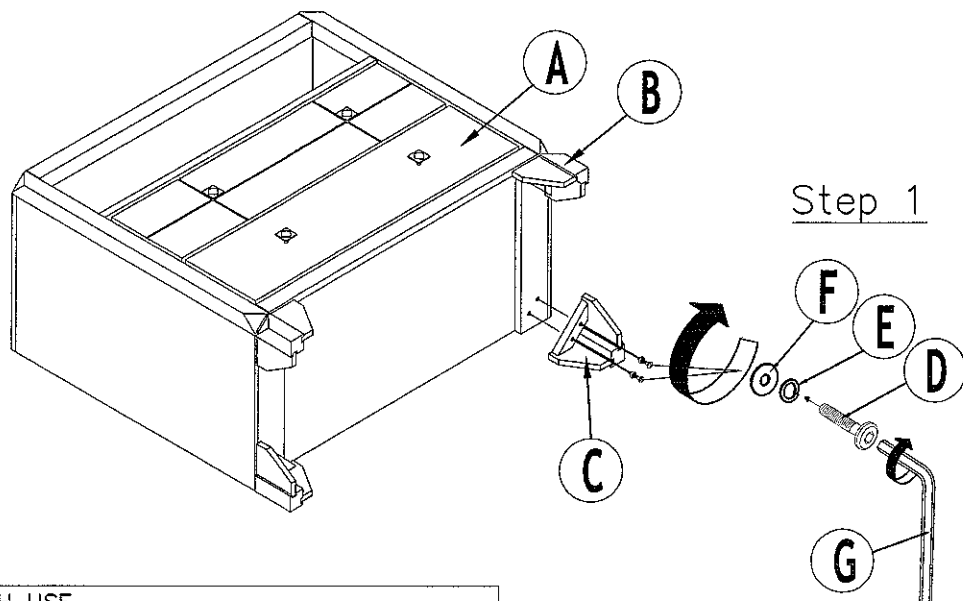
ITEM	DRAWING	DESCRIPTION	QTY
A		PLASMA CHEST	1
B		FRONT LEG	2
C		BACK LEG (L / R)	2
D		JCBC M6 x 35mm	8
E		SPRING WASHER M8	8
F		FLAT WASHER M8	8
G		ALLEN KEY M4	1



COMPLETED PLASMA CHEST & LEG ASSEMBLY

STEP 1

Attach & tighten the Leg to the Plasma Chest and fasten using JCBC screws(D) ringed with a Spring Washer(E) and Flat Washer(F) as shown.



NOTE: SCREWS LOOSEN WITH USE.
CHECK FOR LOOSE SCREWS AND TIGHTEN EVERY 6-8 WEEKS

CLEANING INSTRUCTIONS:

If necessary, clean & polish all surfaces after assembly with a soft cloth and industrial furniture polish.

MADE IN MALAYSIA