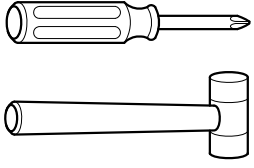
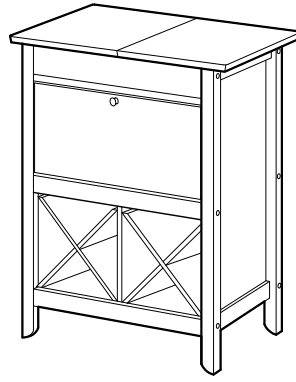
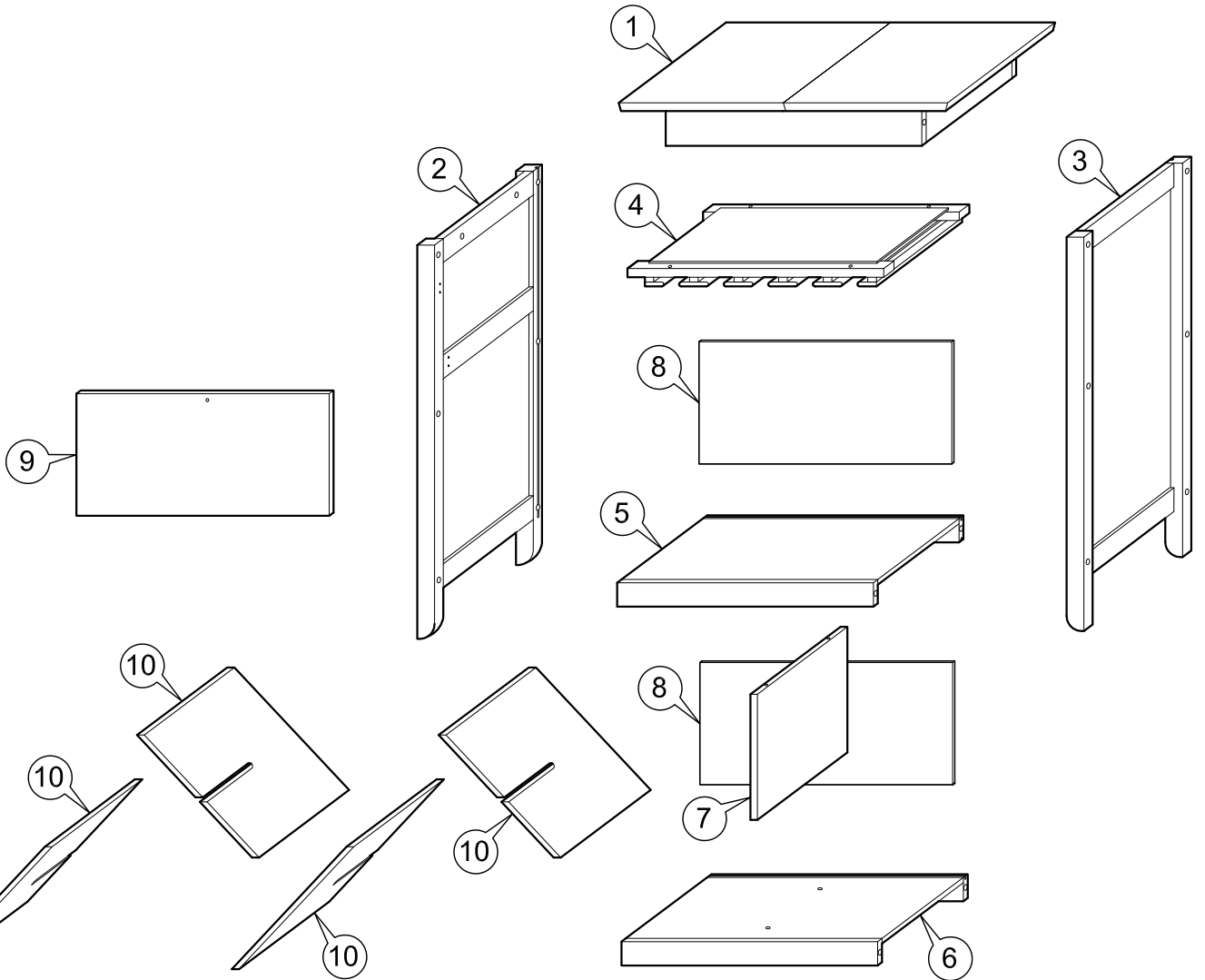


ASSEMBLY INSTRUCTIONS

Item : Tuscany Wine Bar

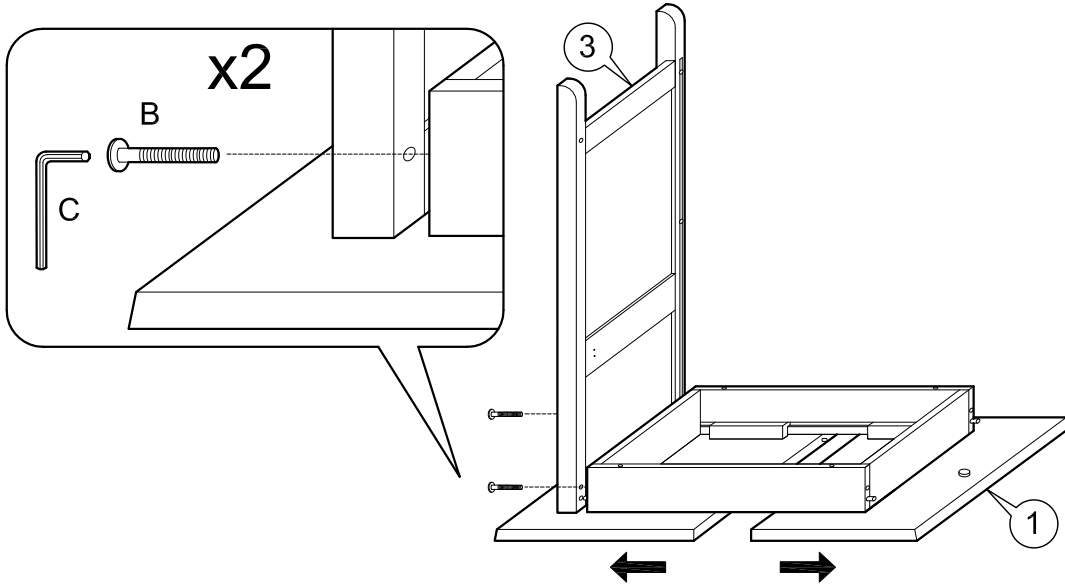


Not Provided

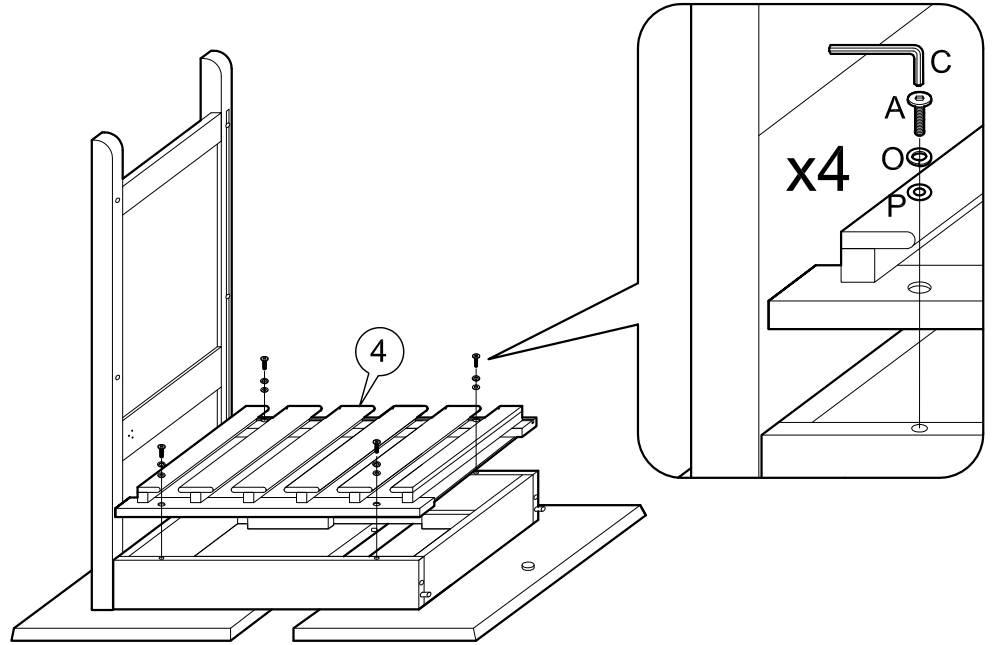


A	M6 x 25mm = 4	F	M3.5 x12mm(Black) = 8	K	12mm = 4	P	M6 x13mm = 4
B	M6 x70mm =12	G	#8 x16mm = 4	L	34mm = 4	Q	(Left) = 1
C	= 1	H	M3 x16mm (Black) = 2	M	= 1	R	(Right) = 1
D	M6 x13mm = 8	I	= 1	N	= 2		
E	14.5Ø =12	J	22mm = 1	O	1/4" = 4		

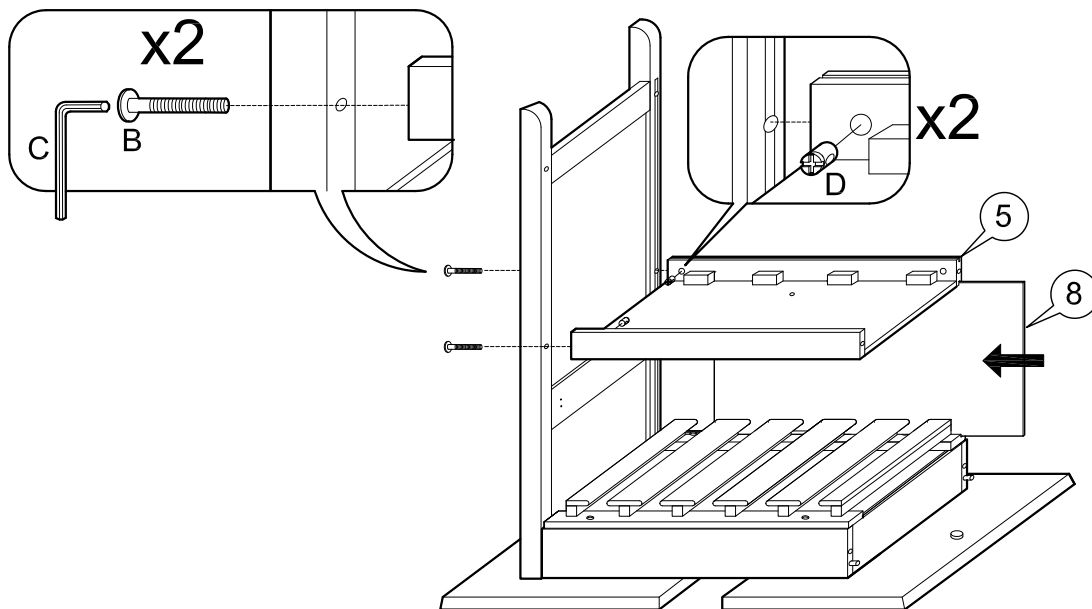
1



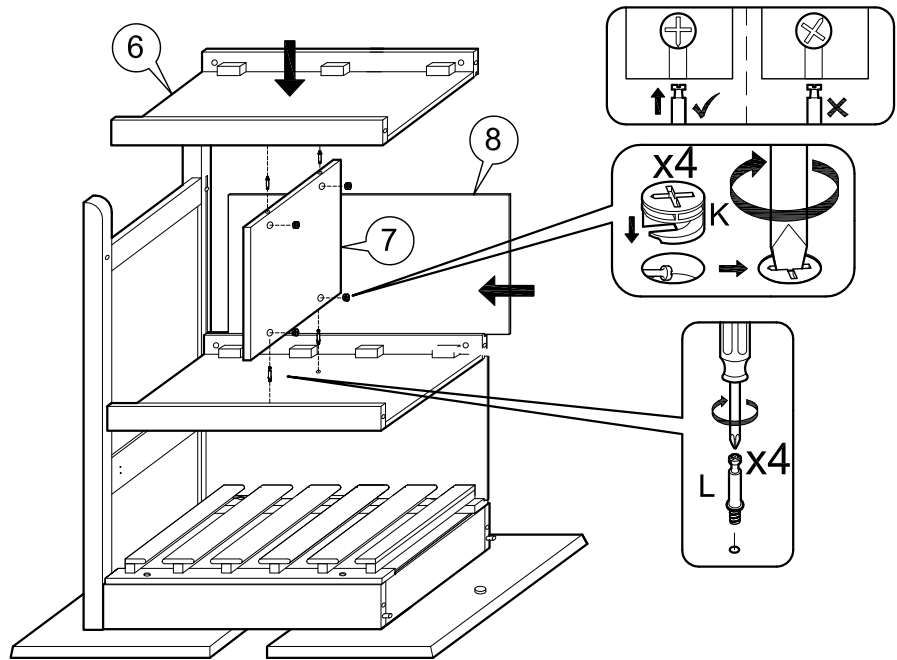
2



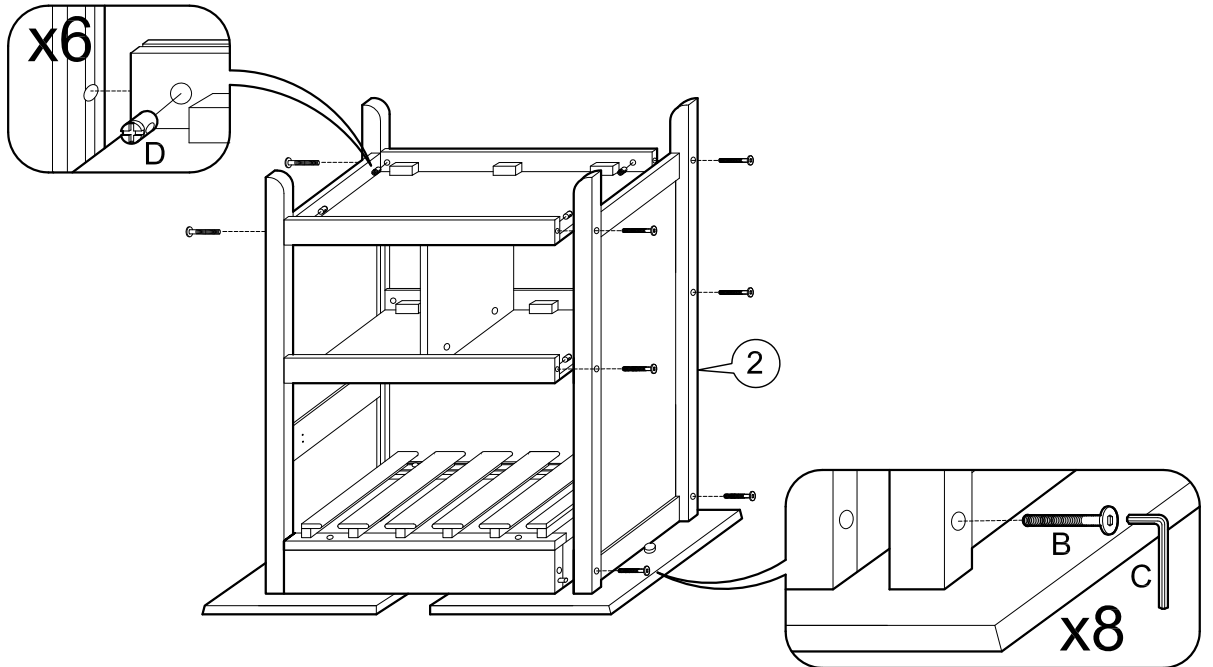
3



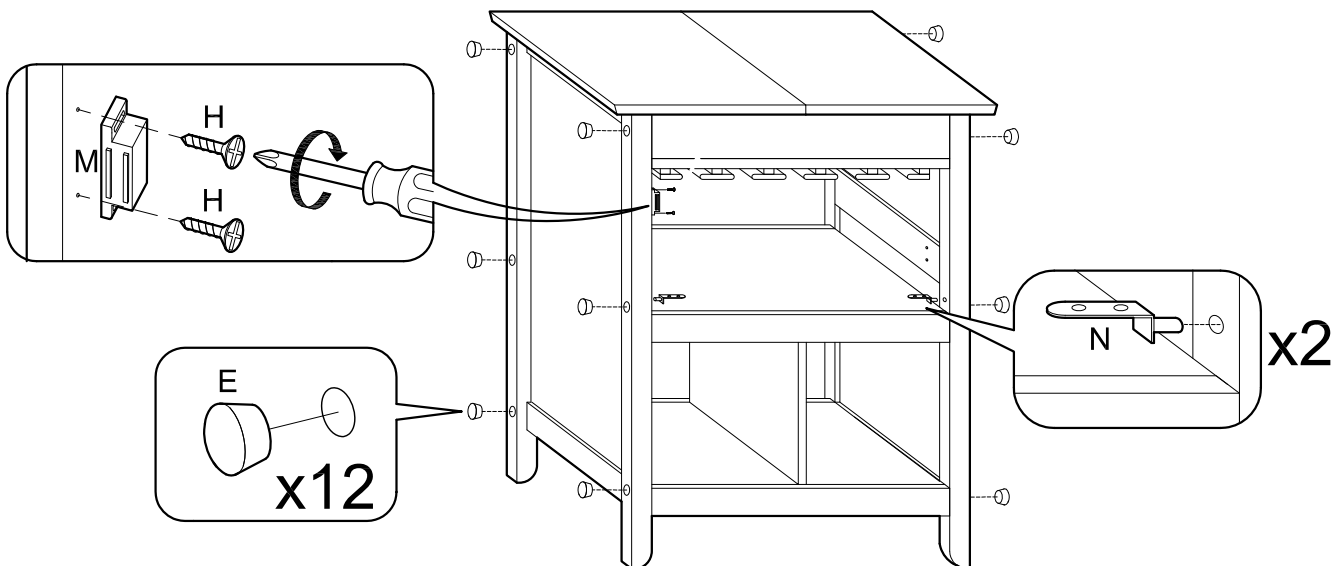
4



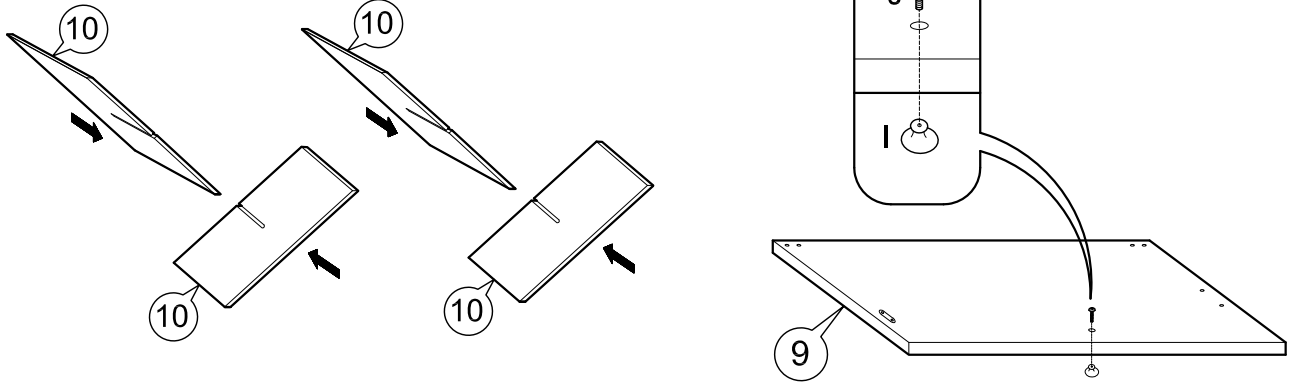
5



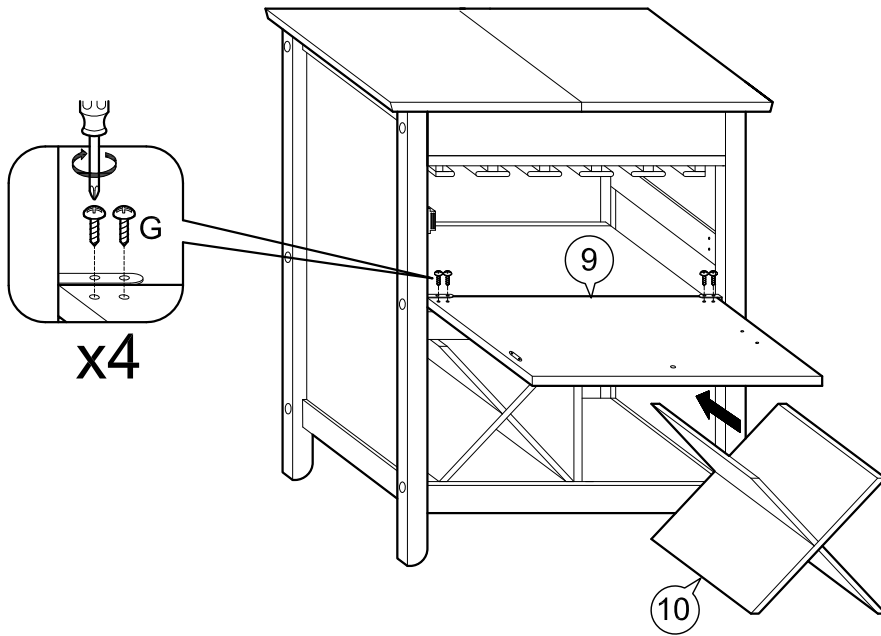
6



7



8



9

