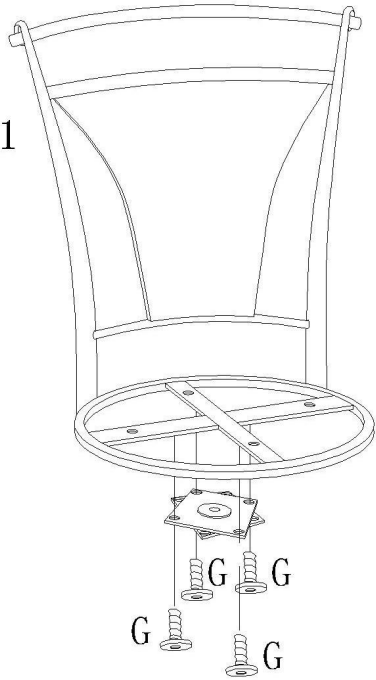
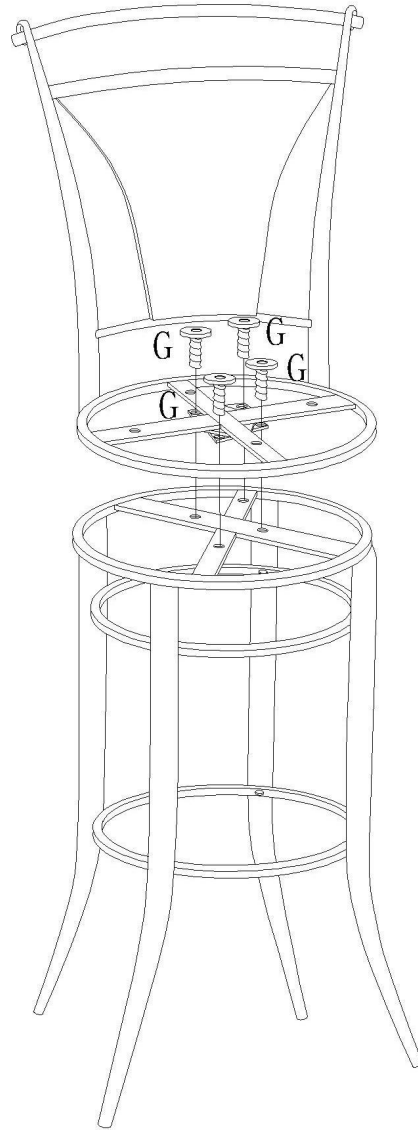


# Assembly Instructions

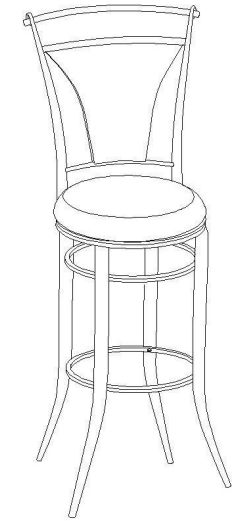
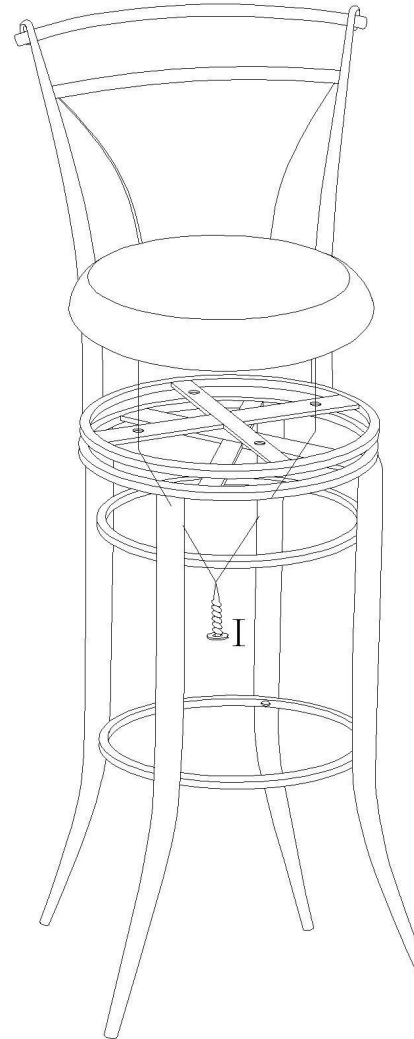
STEP 1



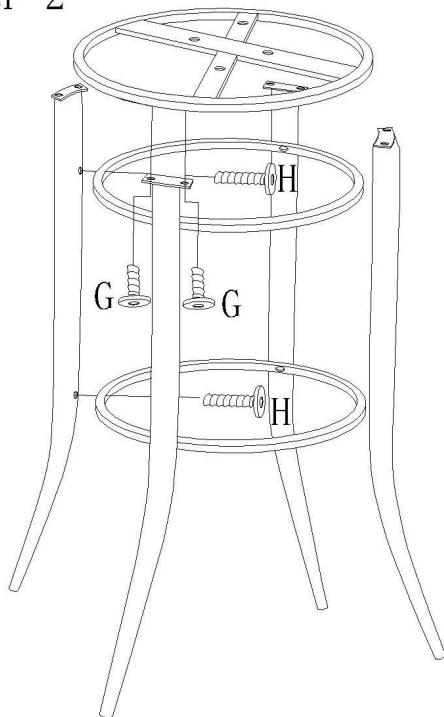
STEP 3













STEP 4



STEP 2



A		1 PC
B		1PC
C		4PCS
D		2PCS
E		1 PC
F		1 PC
G		16PCS
H		8PCS
I		4PCS
I		1 PC