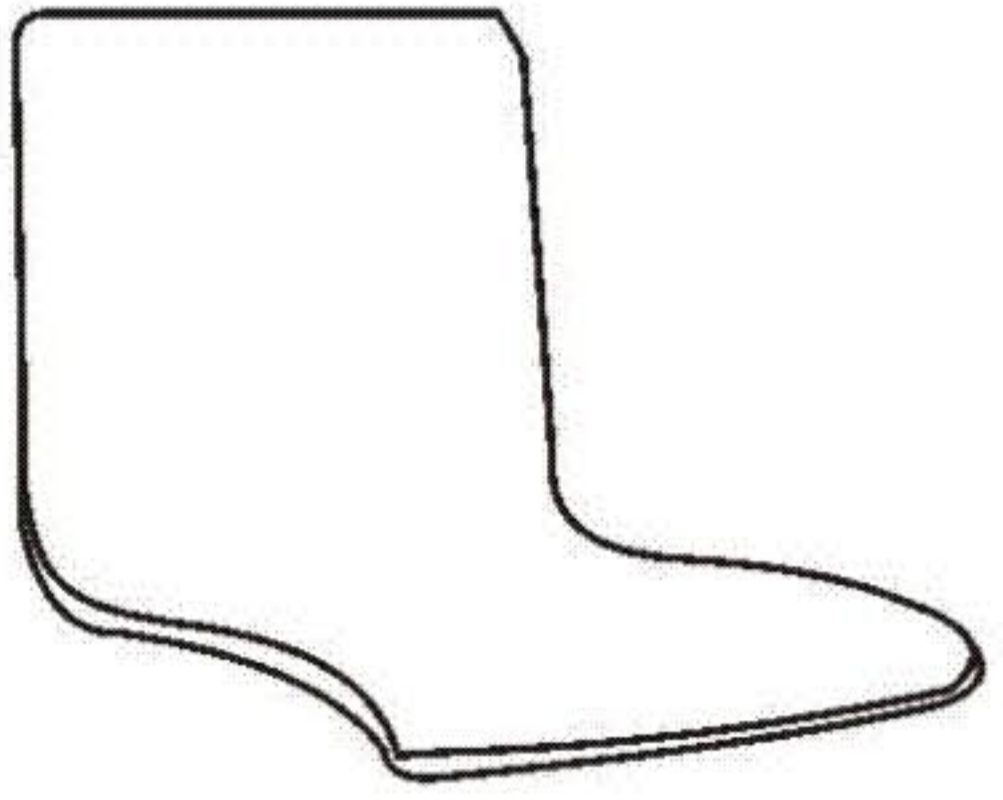
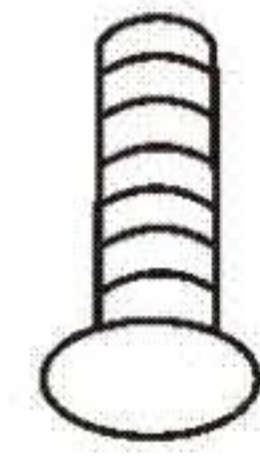


ASSEMBLING INSTRUCTION

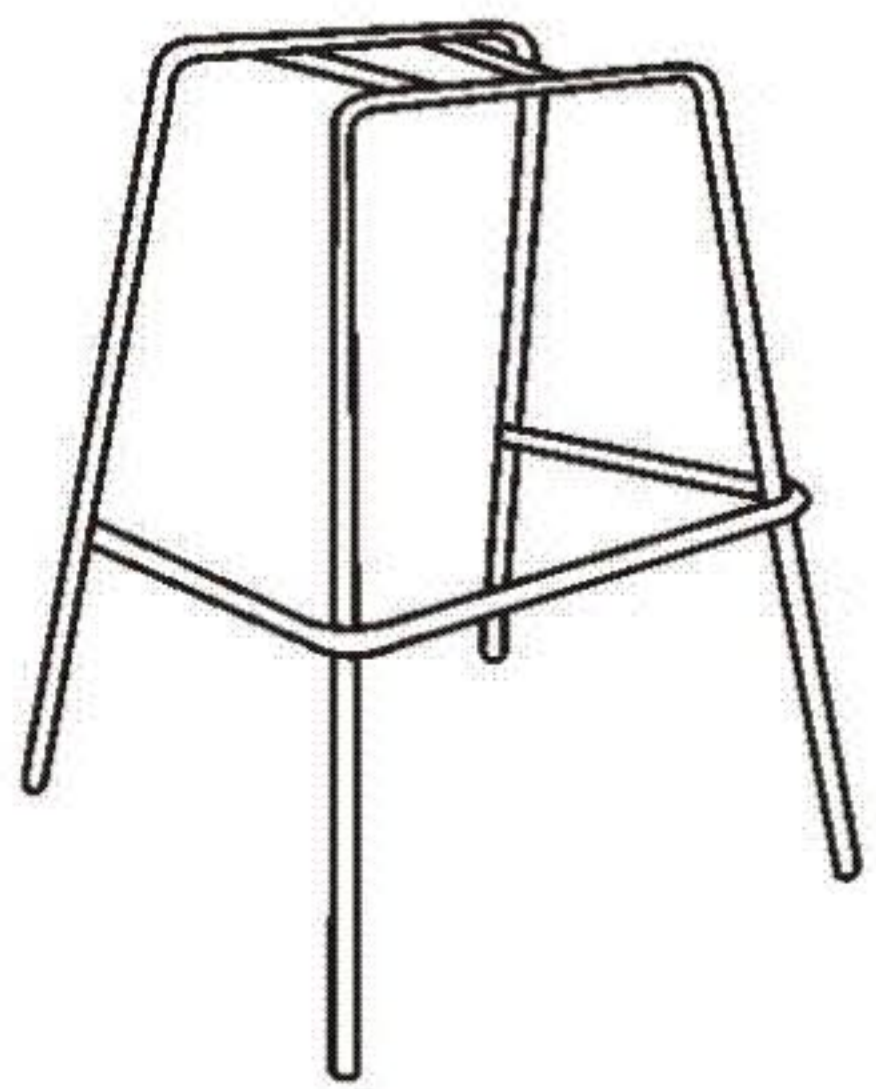
(1)x1



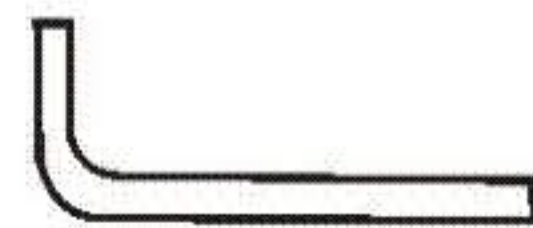
(3)x4



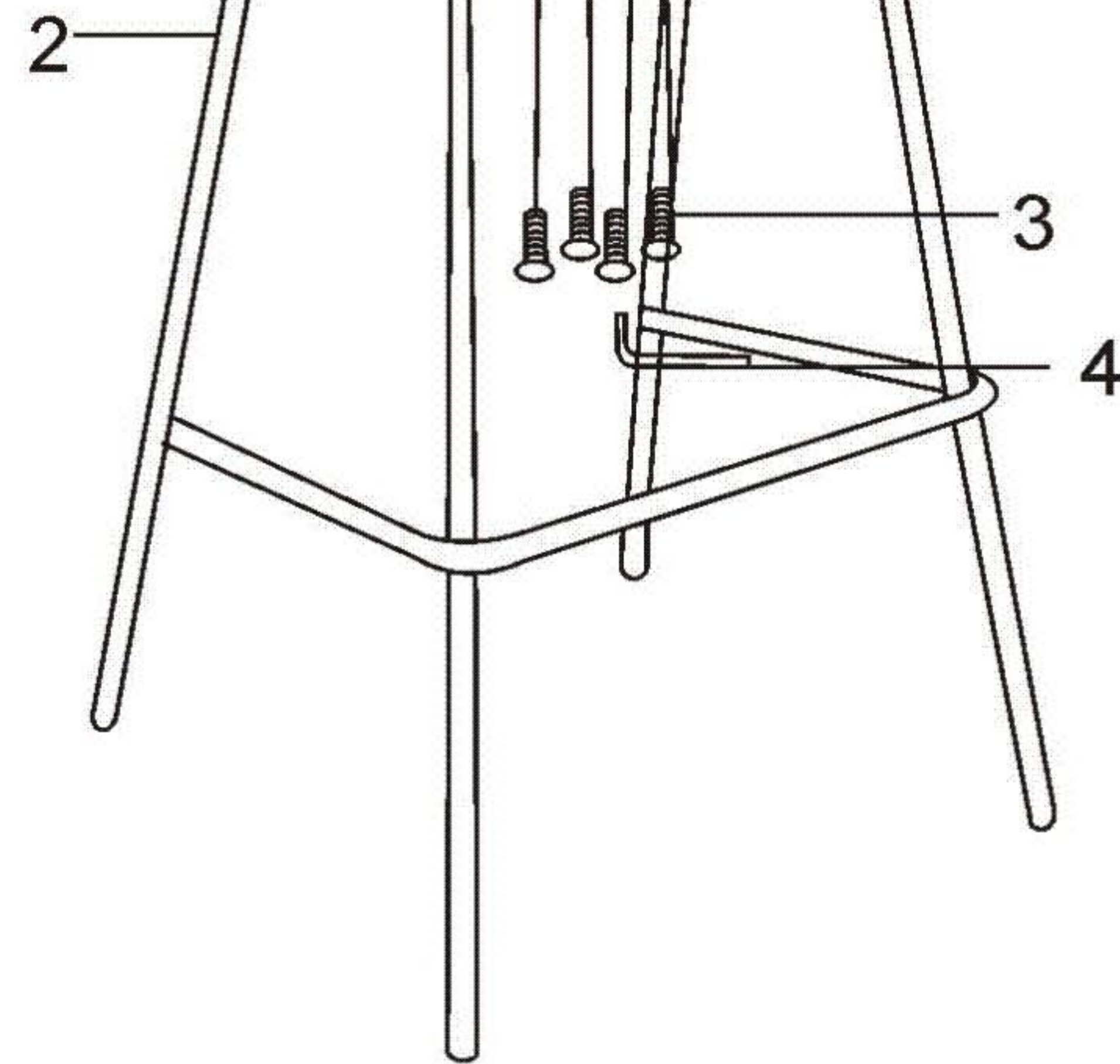
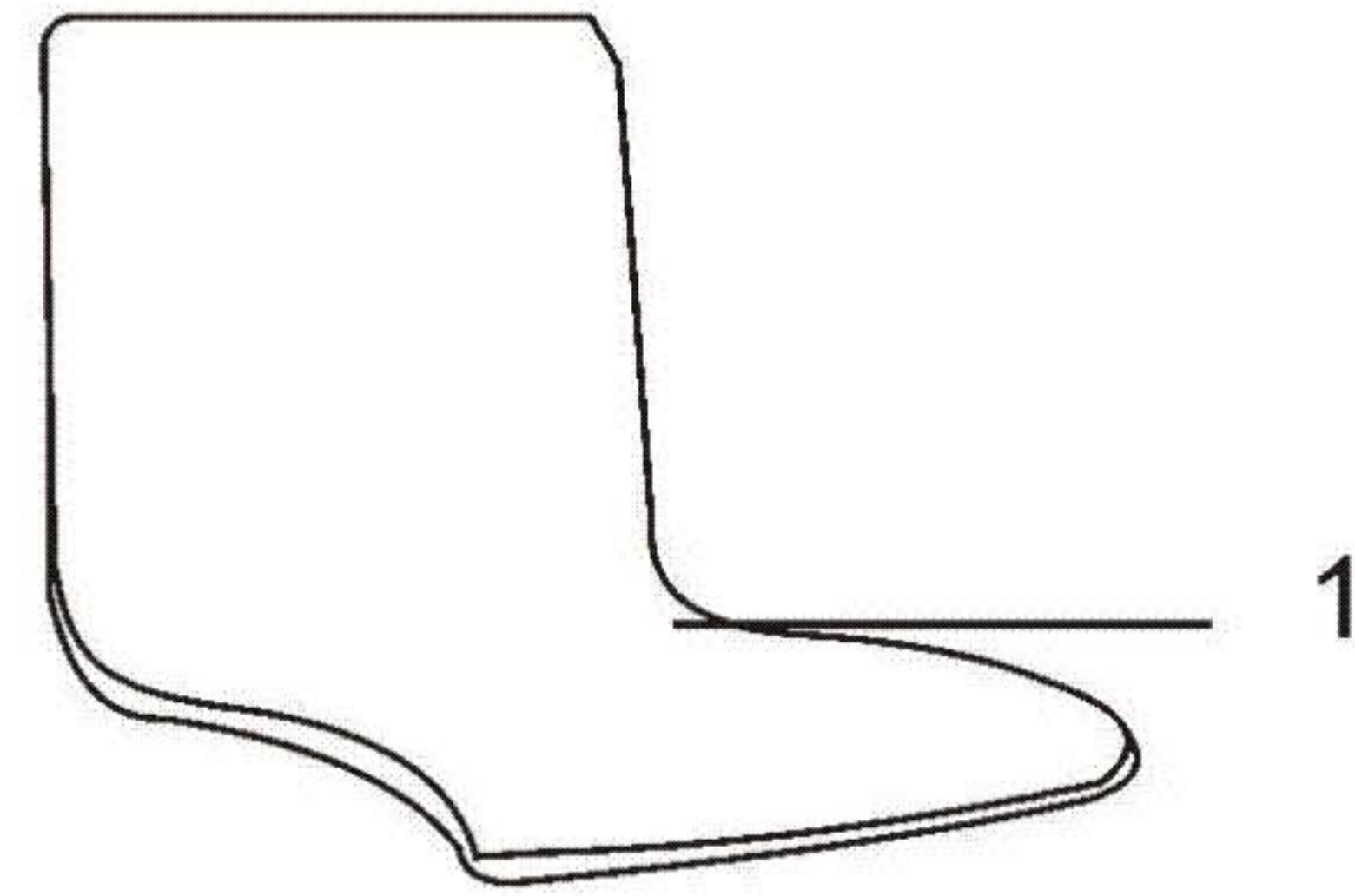
(2)x1



(4)x1



①



②

