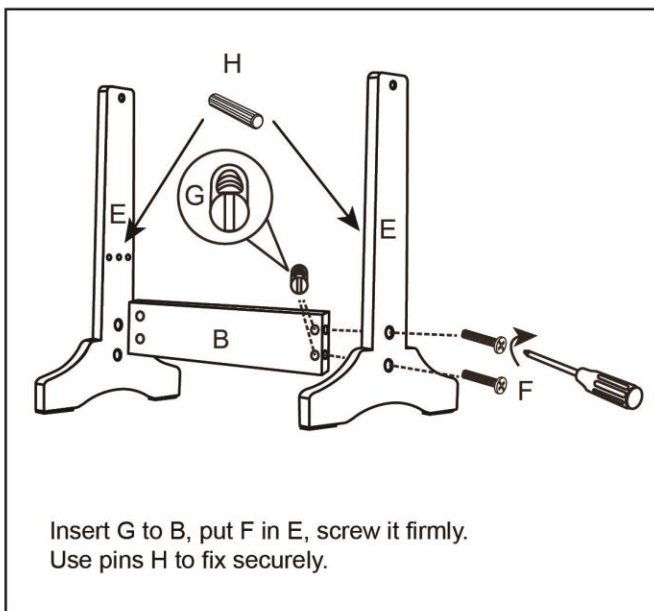
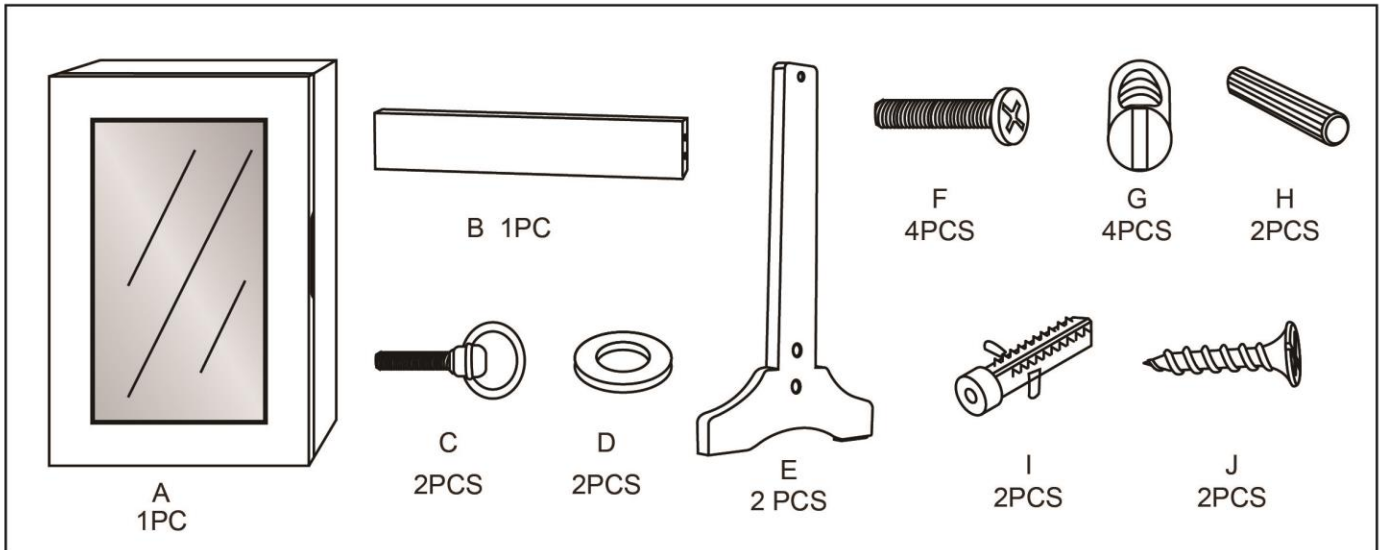
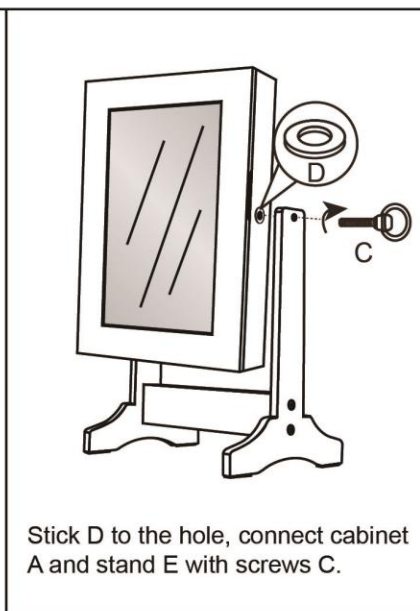


MIRROR JEWELLERY CABINET

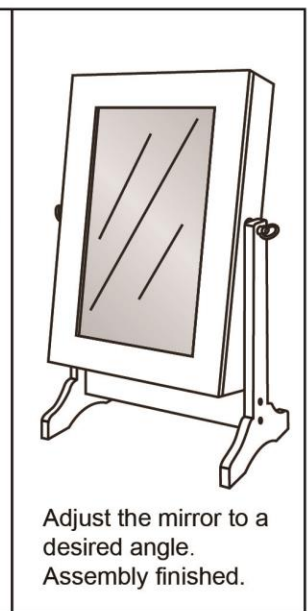
Assembly Instructions for floor standing and wall mount



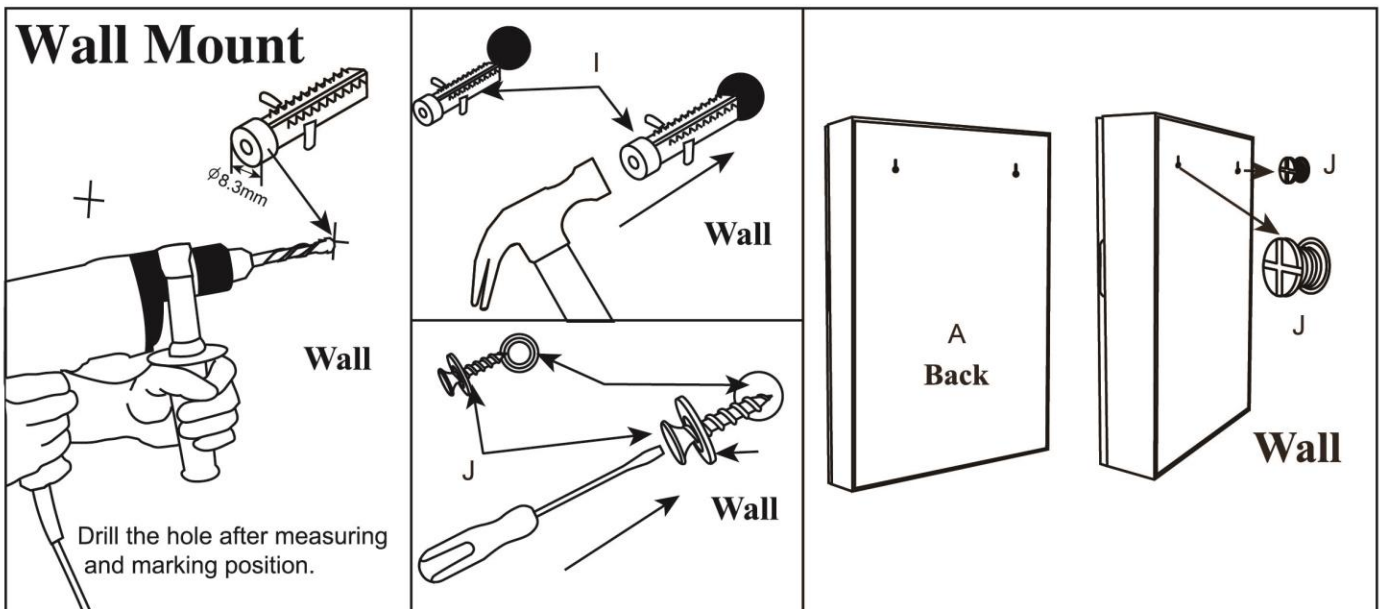
Insert G to B, put F in E, screw it firmly. Use pins H to fix securely.



Stick D to the hole, connect cabinet A and stand E with screws C.



Adjust the mirror to a desired angle. Assembly finished.



Drill the hole after measuring and marking position.

Wall

Wall

Wall

A
Back

Wall