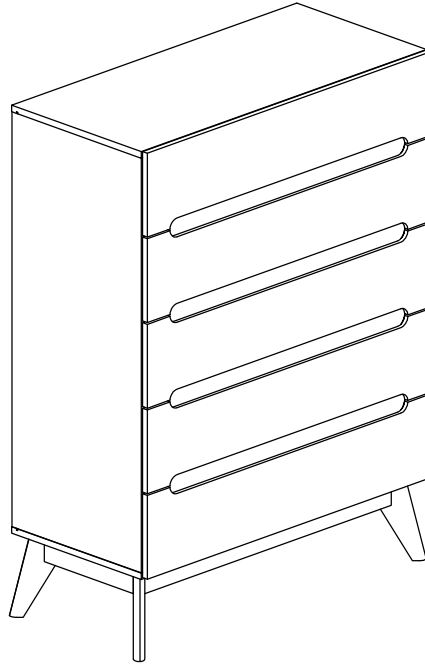
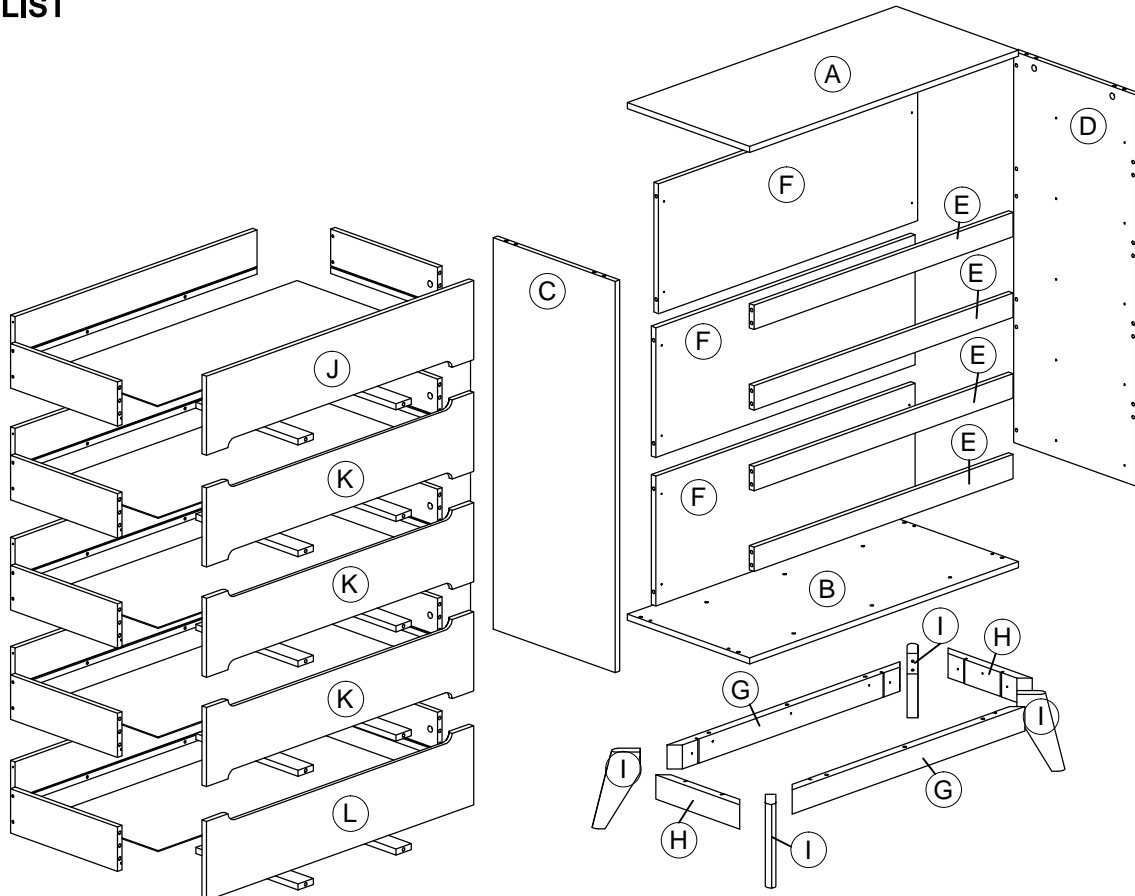


# Assembly Instruction

Model : WI7501




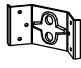

## PART LIST



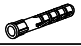
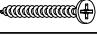

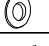

# Assembly Instruction

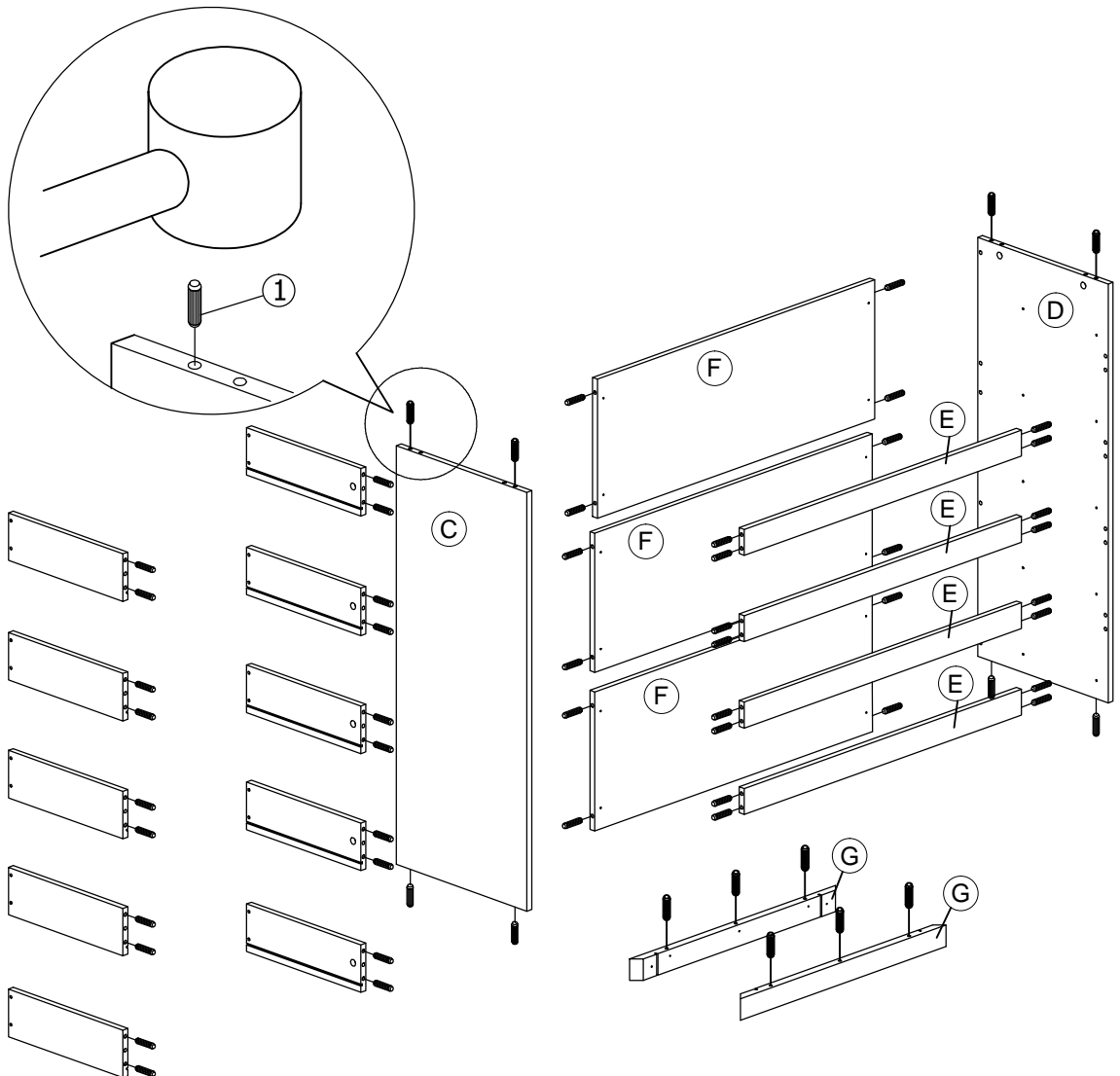
## Hardware List

No.	SHAPE	DESCRIPTION	Qty.
1		8x25mm Wood Dowel	62Pcs
2		15MM Myfix Minifix	24Sets
3		M5x8mm Screw (Euro Screw)	20Pcs
4		M3.5x15mm Screw	110Pcs
5		M4x38mm Screw	34Pcs
6		Jcbc 'W' M6 x 40mm	8Pcs
7		L Bracket	28Pcs
8		Nail Leg	4Pcs
9		Metal Drawer Slide 12" (300mm)	5Sets

10		Minifix Cap	10Pcs
11		Metal Corner Bracket	4Pcs
12		L Key	1Pc

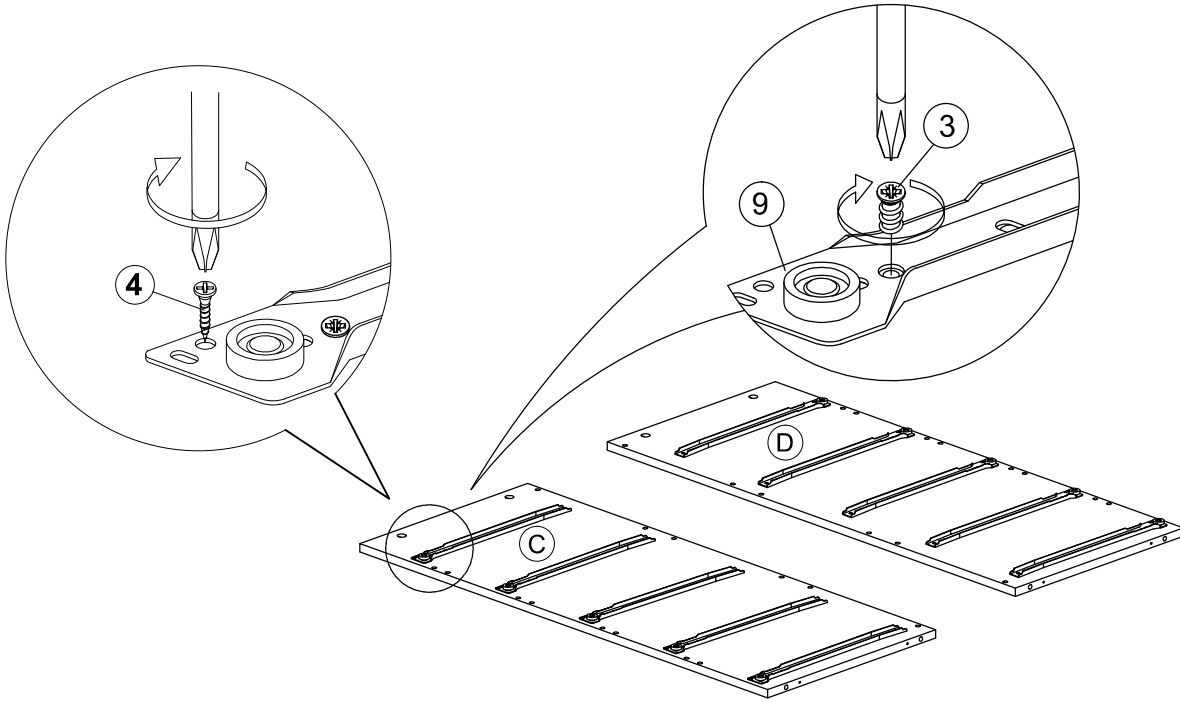
## Packing Tipping Restraint

13		Wall Plug	2Pcs
14		M4x30mm Screw	2Pcs
15		Safety Strap	2Pcs
16		Flat Washer 6x19x2mm	4Pcs
17		M3.5x15mm Screw	2Pcs

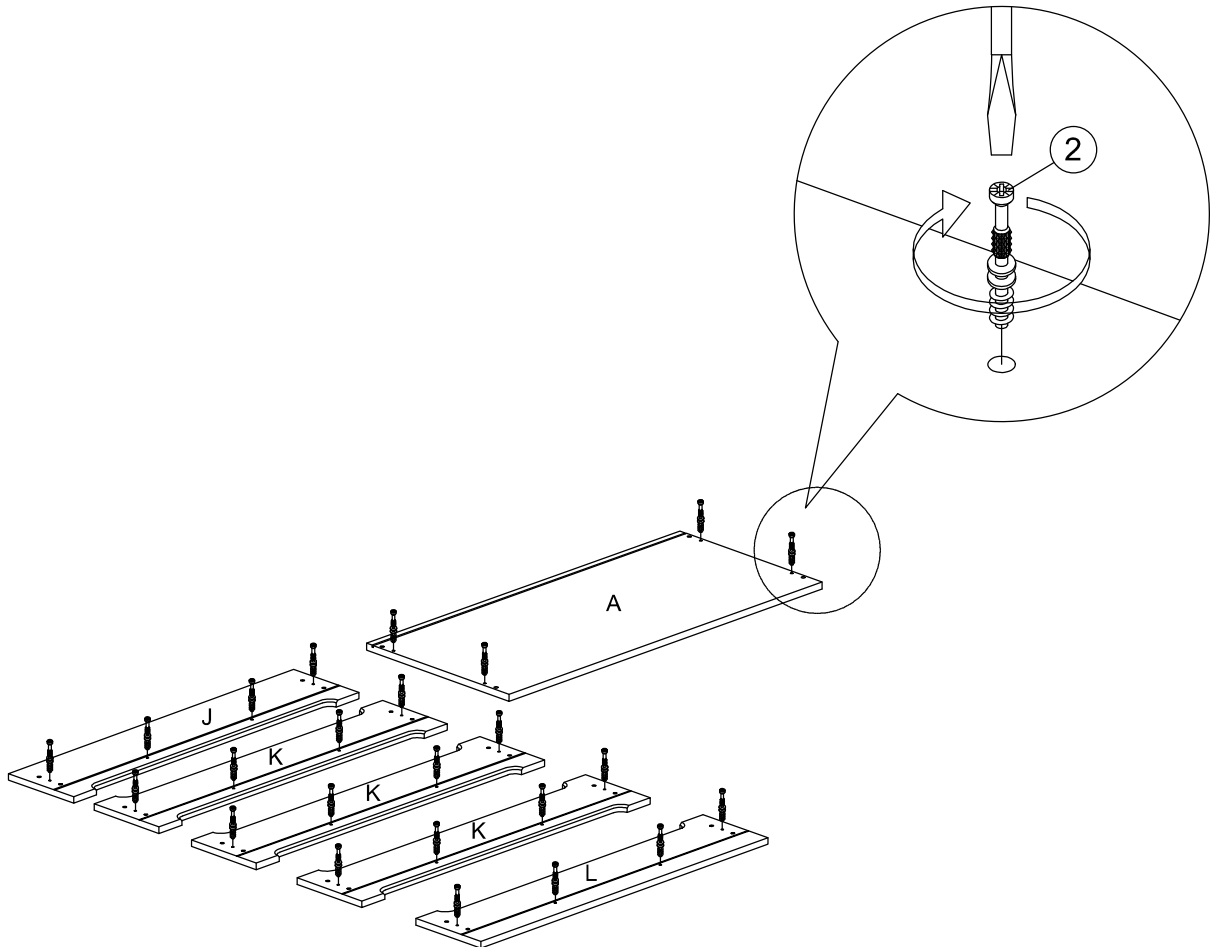


# Assembly Instruction

## STEP 2

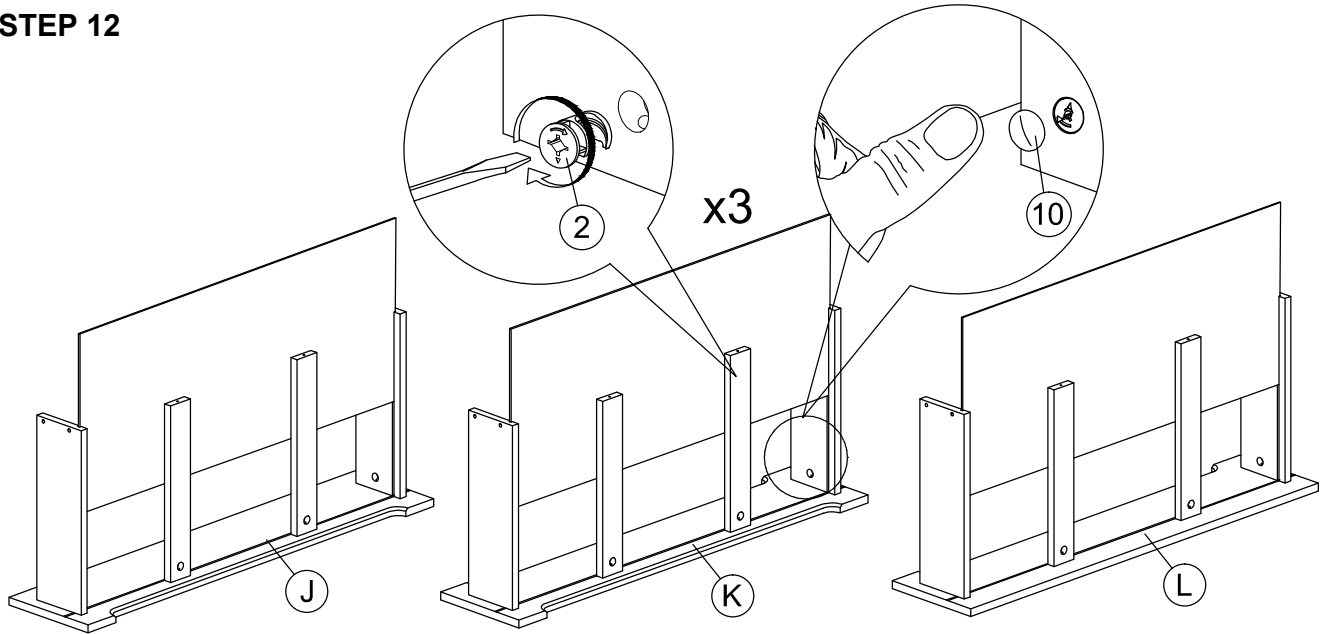


## STEP 3

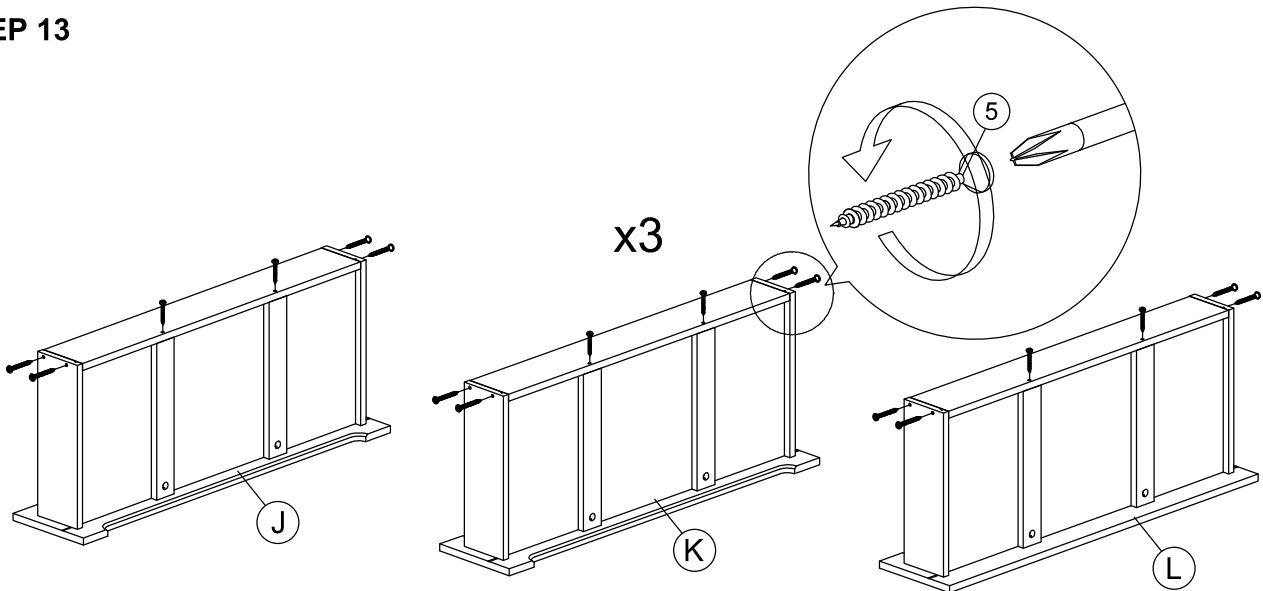


# Assembly Instruction

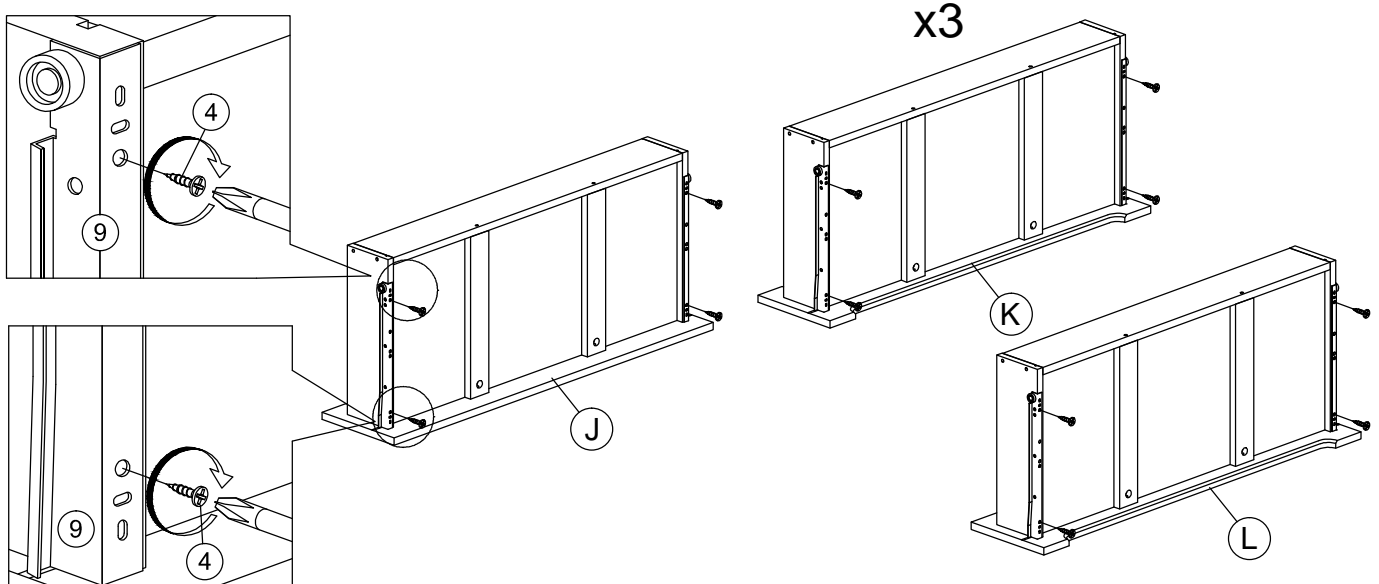
## STEP 12



## STEP 13

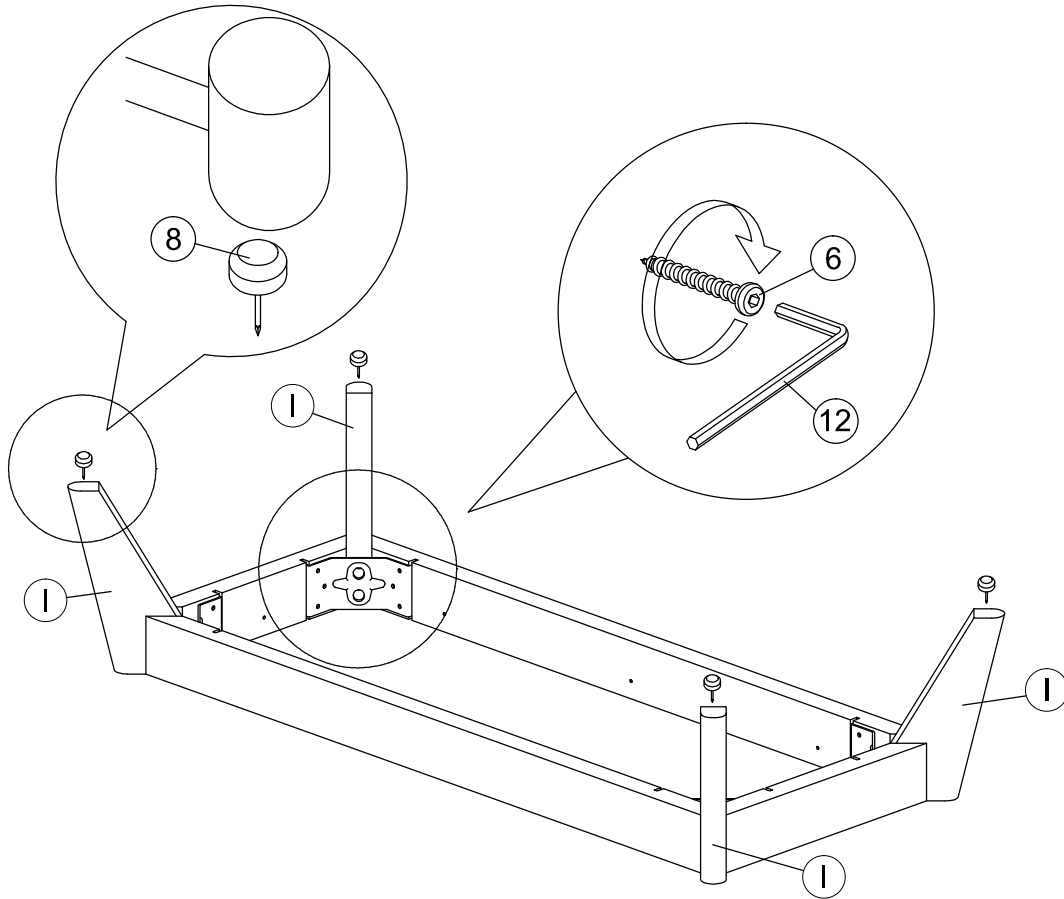


## STEP 14

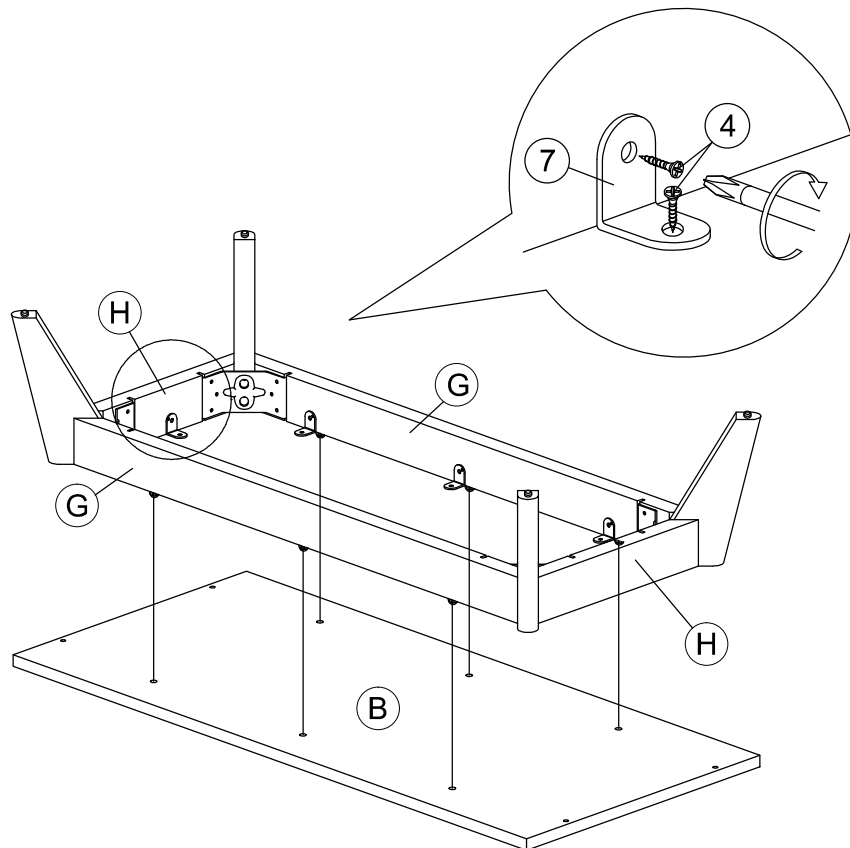


# Assembly Instruction

## STEP 6

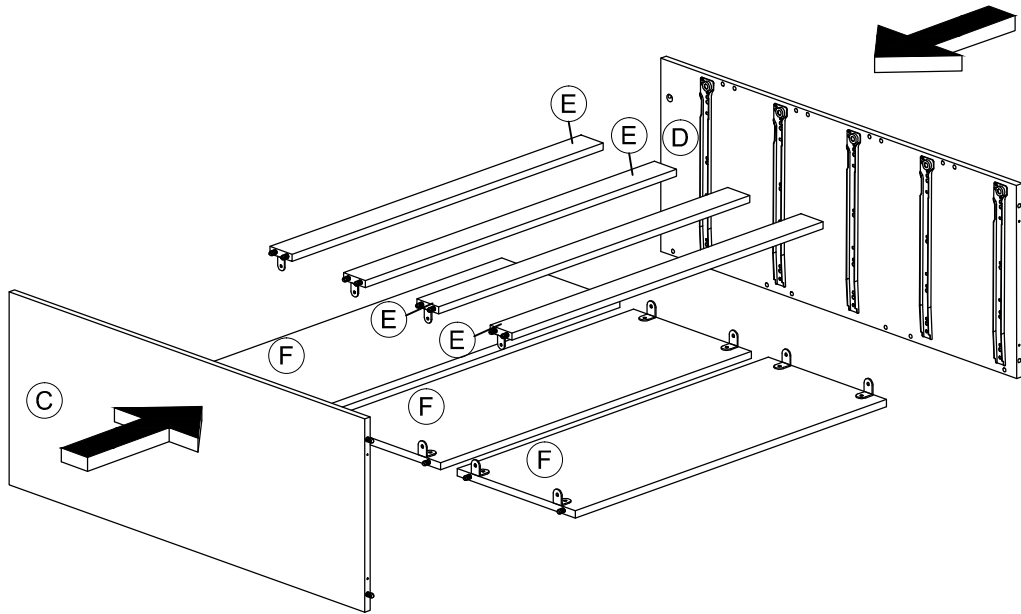


## STEP 7

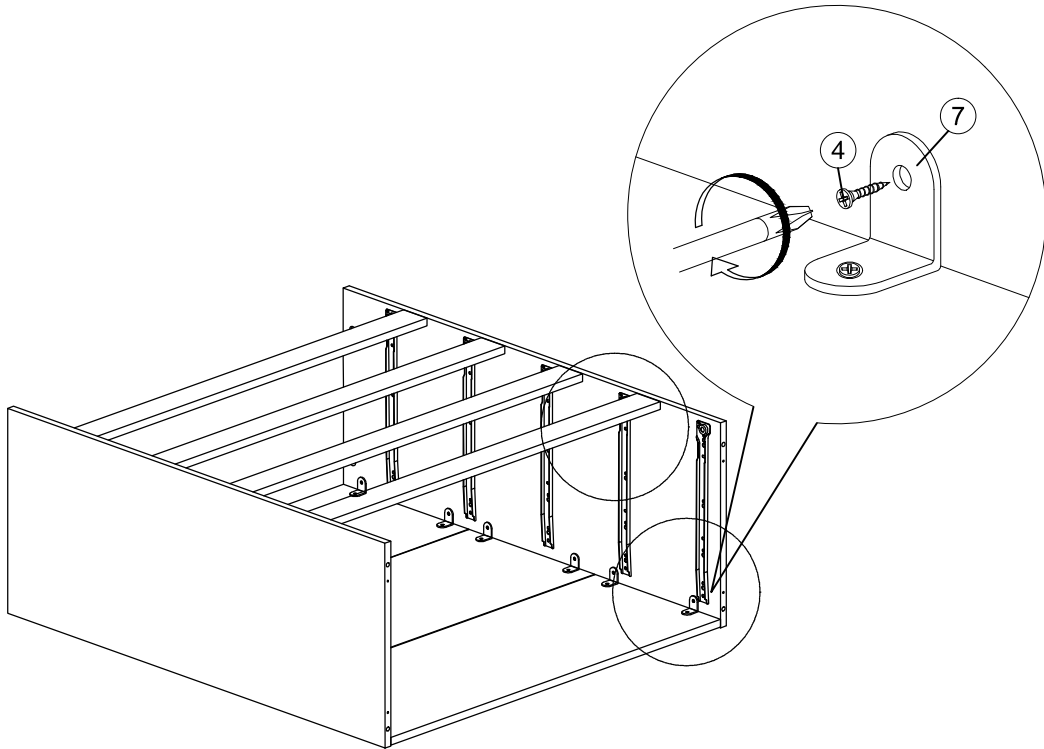


# Assembly Instruction

## STEP 8

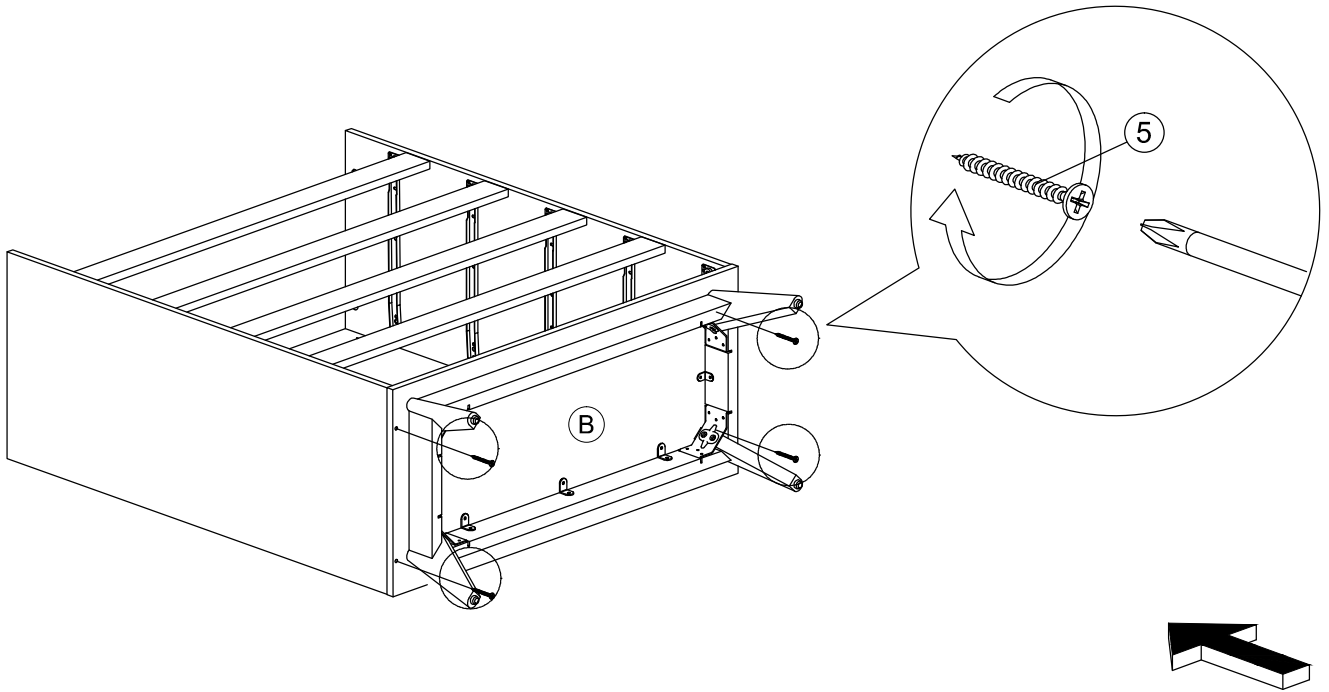


## STEP 9

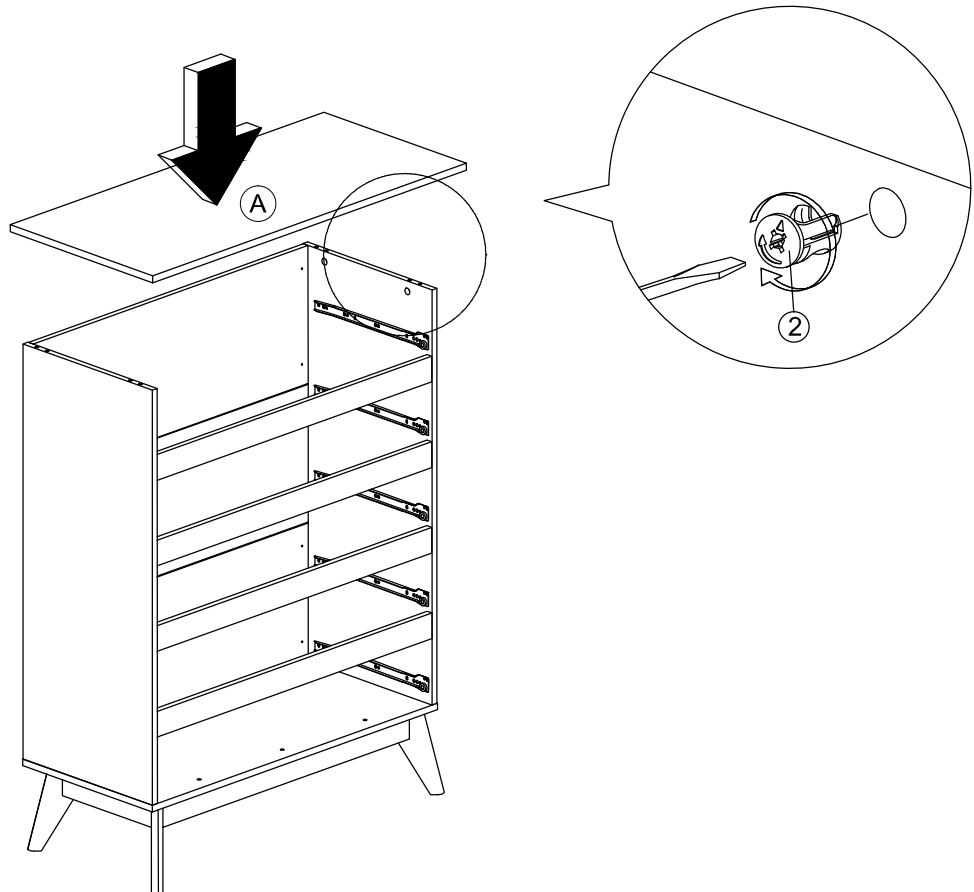


# Assembly Instruction

## STEP 10

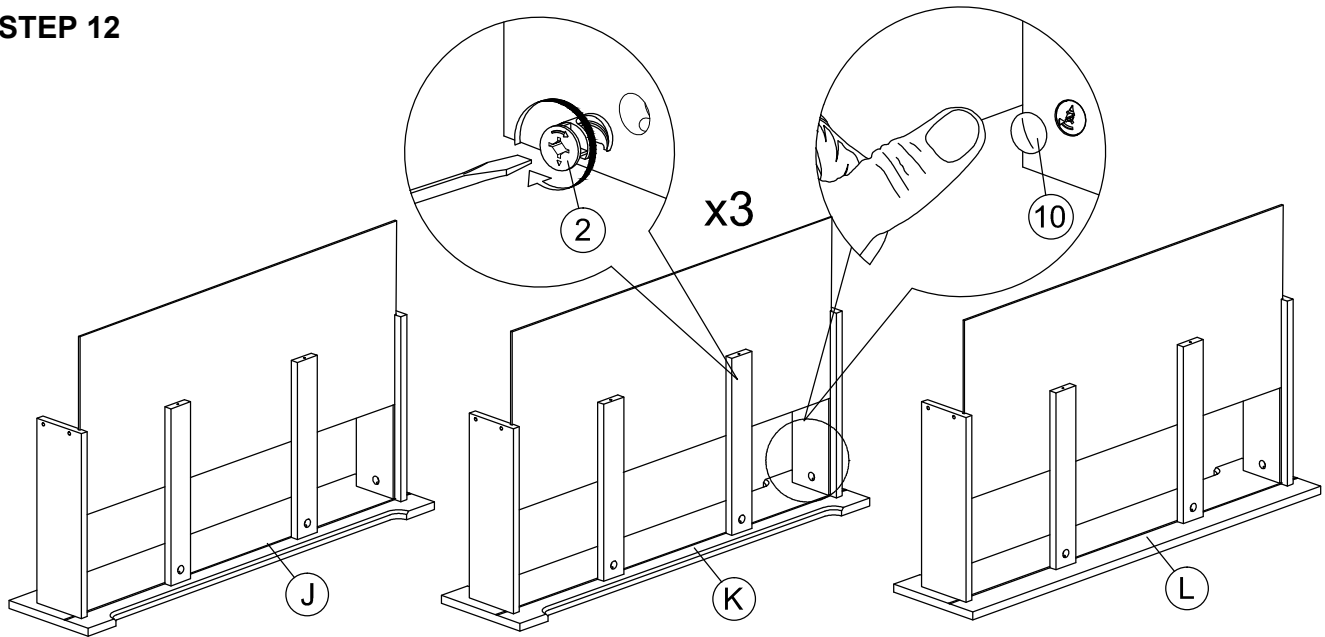


## STEP 11

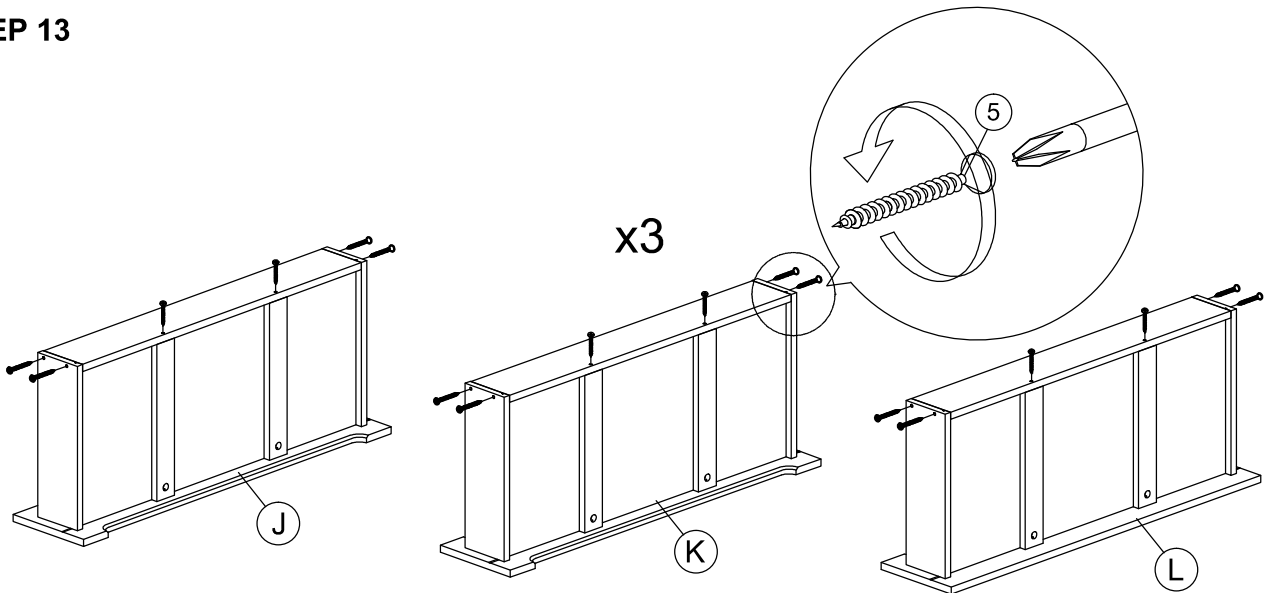


# Assembly Instruction

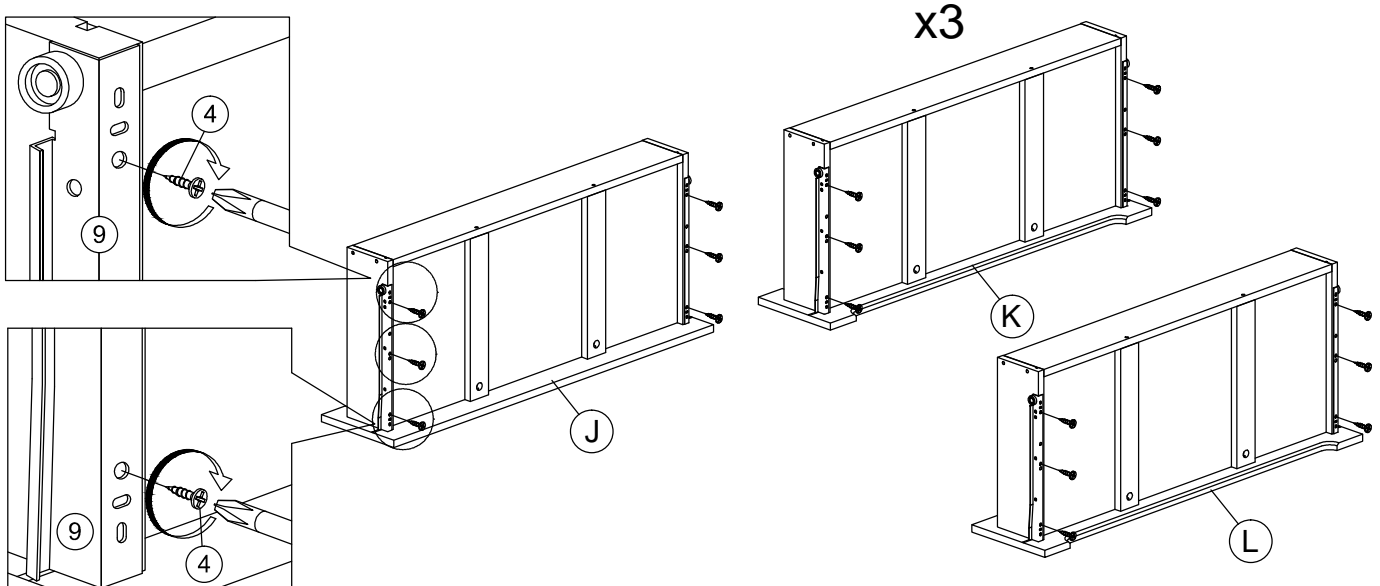
## STEP 12



## STEP 13



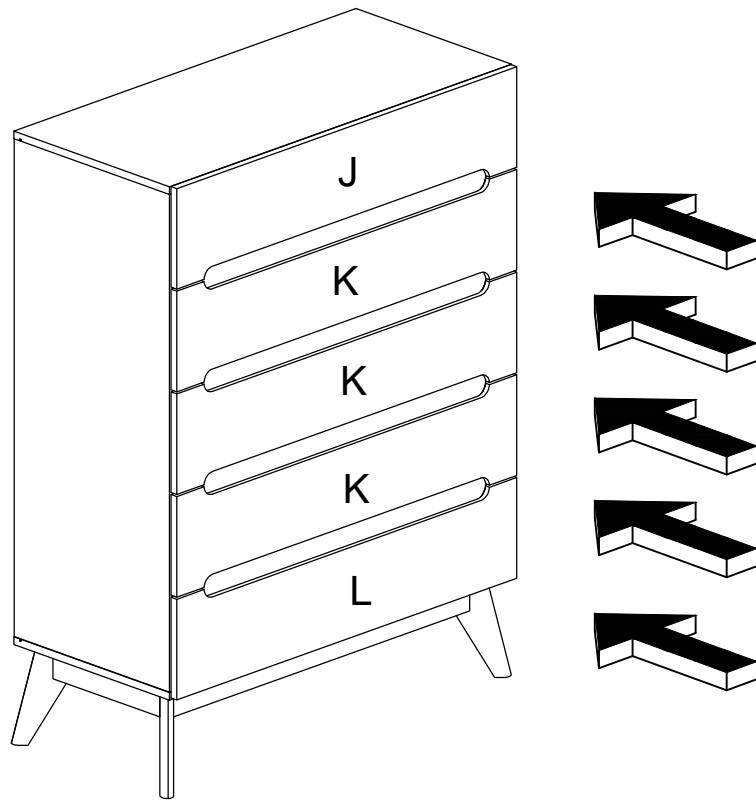
## STEP 14



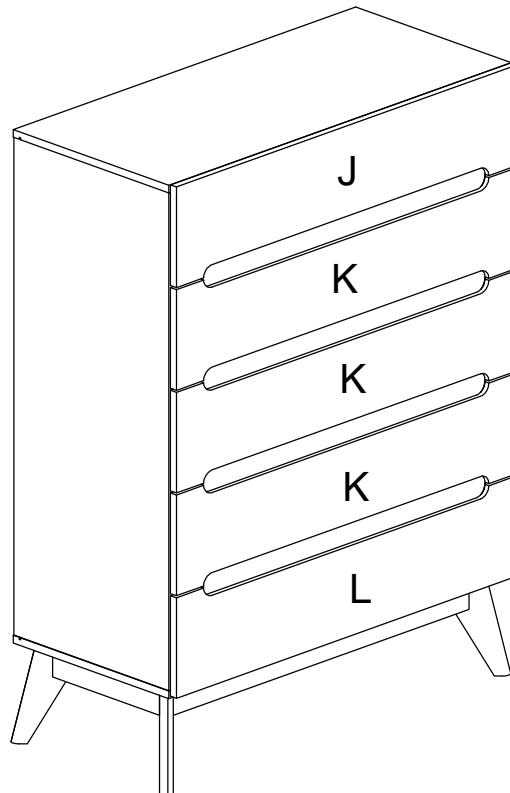


# Assembly Instruction

## STEP 15

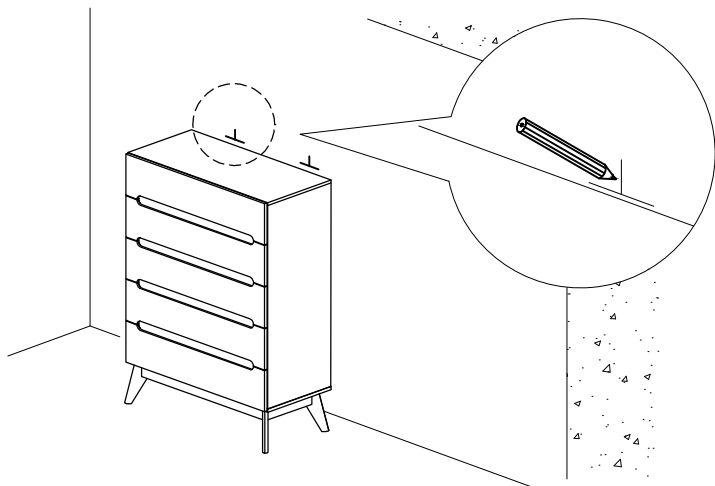


## STEP 16

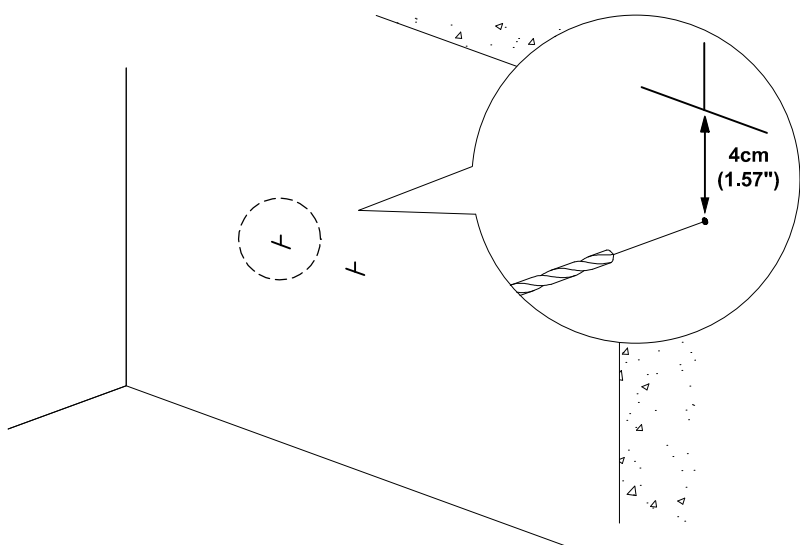


# FURNITURE TIPPING RESTRAINT

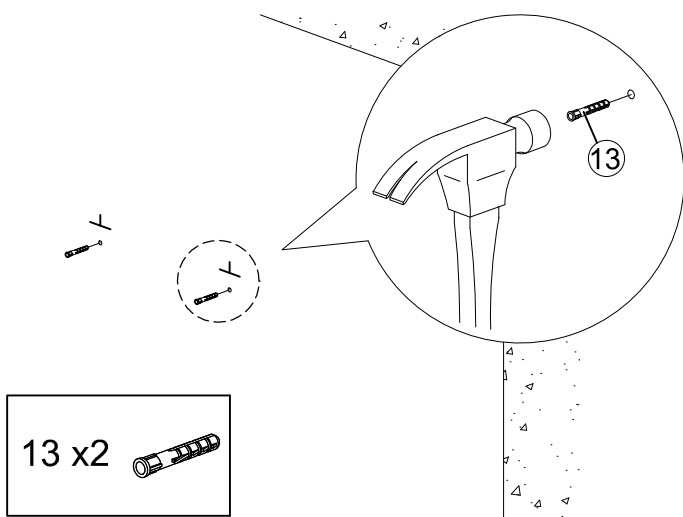
**1. First mark the wall with pencil as in diagram.**



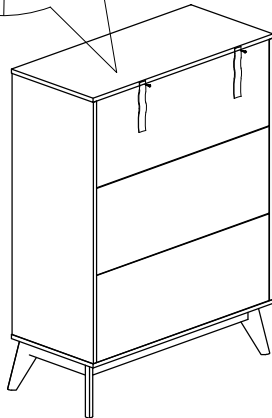
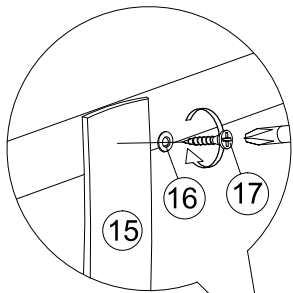
**2. Drill small hole at the pencil mark.**



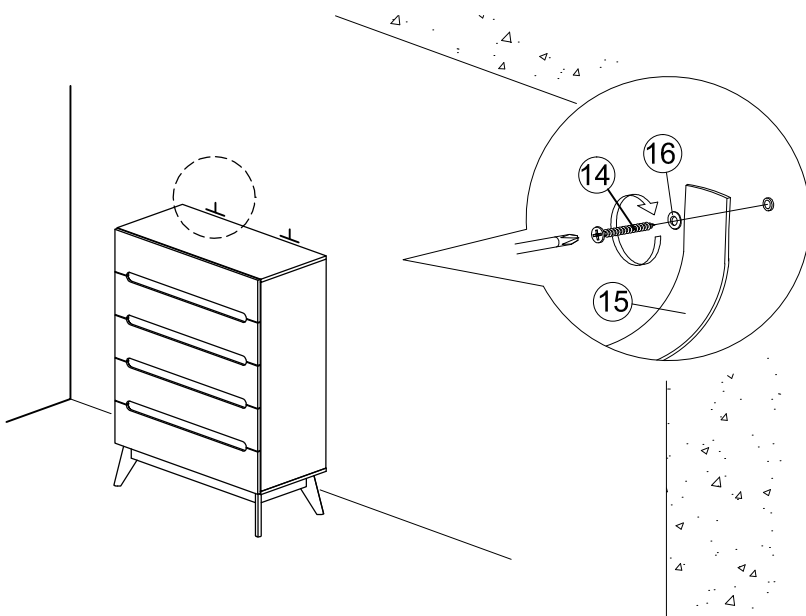
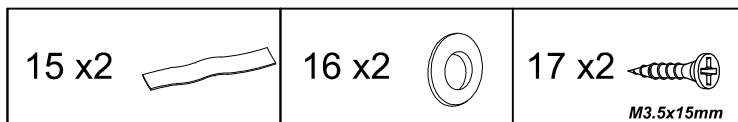
**3. Insert plastic wall plug (13).**



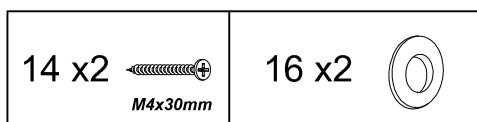
# FURNITURE TIPPING RESTRAINT

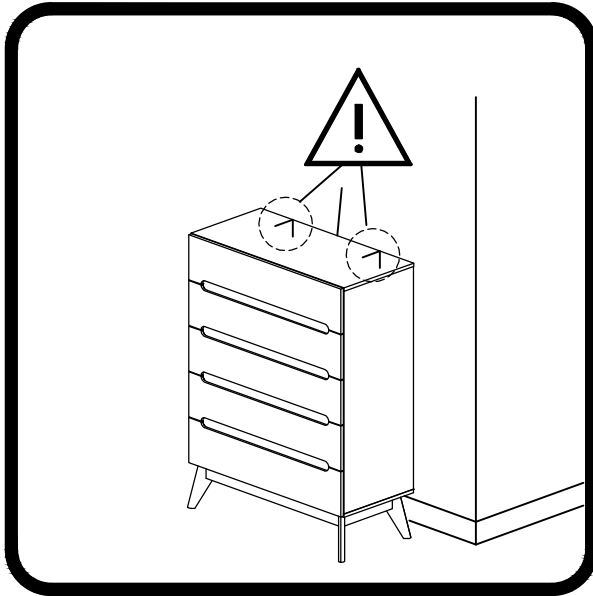


4. Add safety strap (15), washer (16) using 3.5x15mm screw (17) to back of cabinet.



5. Finally, attach safety strap (15) and washer (16) using 4x30mm screw (14) to the wall.





<b>⚠ WARNING</b>	
	<p><b>Serious or fatal crushing injuries can occur from furniture tip-over. To help prevent tip-over:</b></p> <ul style="list-style-type: none"> <li>• Install tipover restraint provided.</li> <li>• Place heaviest items in the lowest drawers.</li> <li>• Do not set TV's or other heavy objects on top of this product, unless the product is specifically designed to accommodate them.</li> <li>• Never allow children to climb or hang on drawers, doors, or shelves.</li> <li>• Never open more than one drawer at a time.</li> </ul> <p>(OR)</p> <ul style="list-style-type: none"> <li>• Do not defeat or remove the drawer interlock system.</li> </ul> <p><b>Use of tip-over restraints may only reduce, but not eliminate, the risk of tip-over.</b></p> <p><i>This is a permanent label. Do not remove!</i></p>



**Anti-Topple hardware included for added safety and stability**