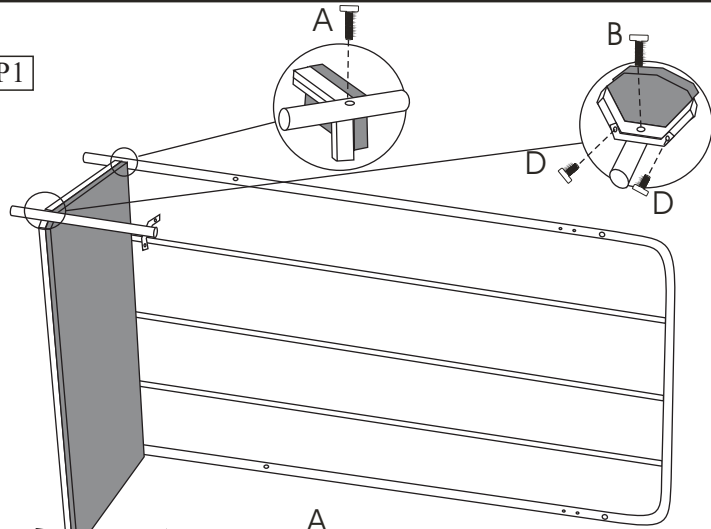
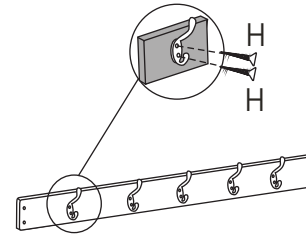


# YLX-9055 CLOTH FRAME

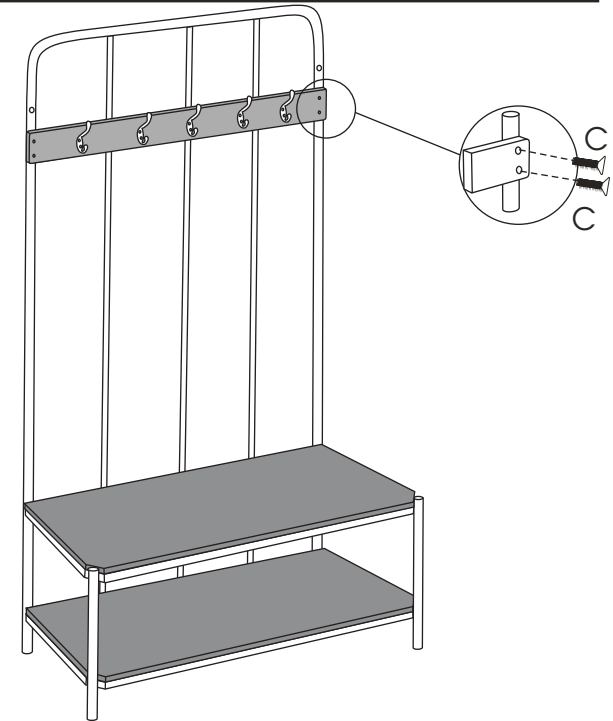
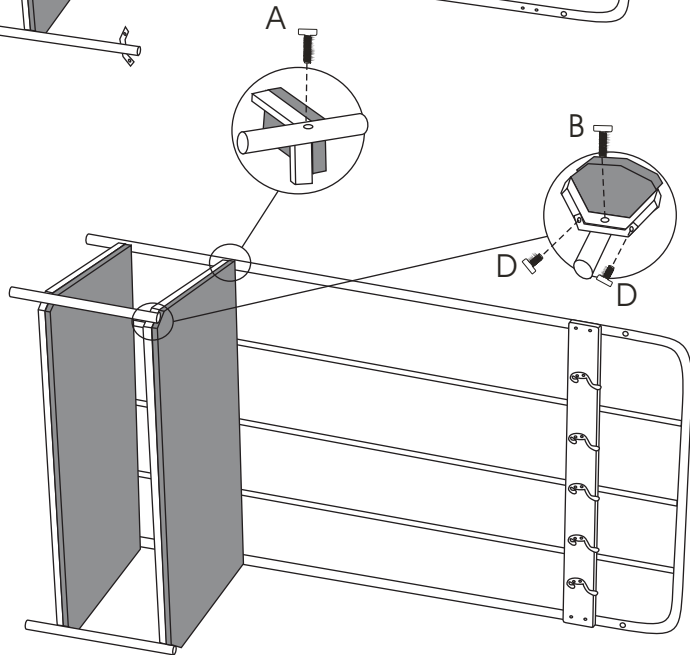
STEP1



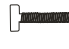







STEP3



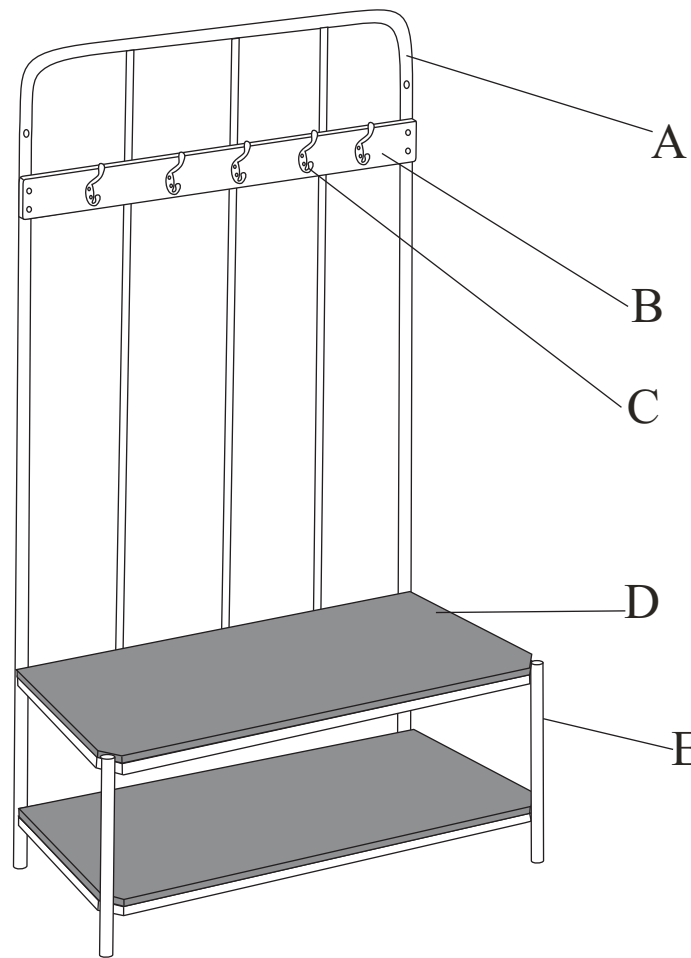
STEP2

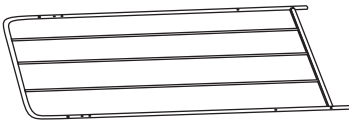
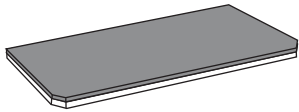





YLX-9055 HDWR

A		4X	1/4"*40mm
B		4X	1/4"*25mm
C		4X	1/4"*30mm
D		8X	1/4"*12mm
E		1X	S4
F		2X	
G		2X	M5*60mm
H		10X	M3.5*16mm

Note: Pls do not tighten all bolts until the products is assembled completely.



YLX-9055	A		1X	D		2X
	B		1X	E		2X
	C		5X			