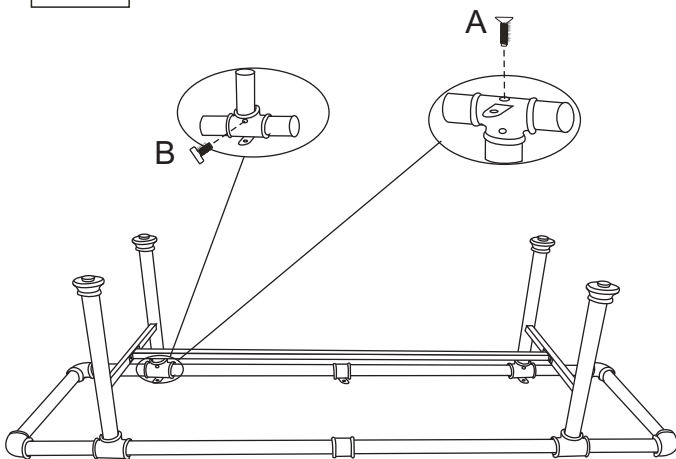
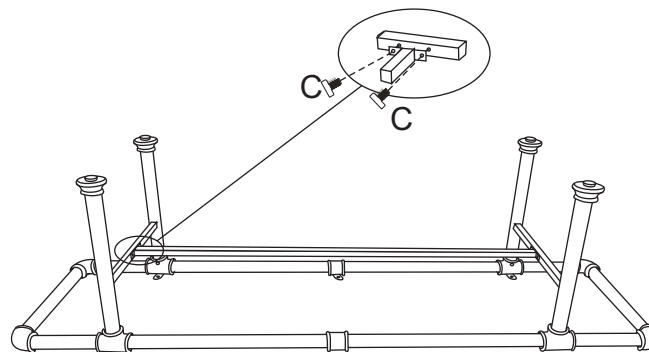


# YLX-7009 BENCH

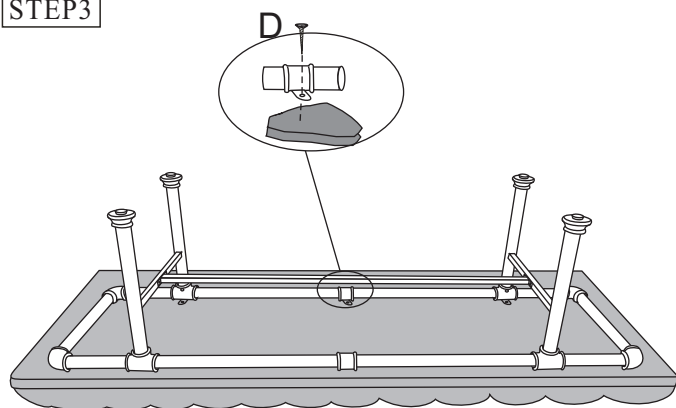
STEP1



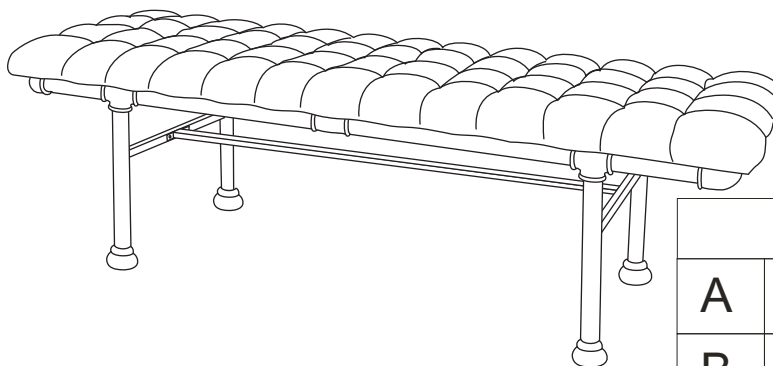
STEP2








STEP3



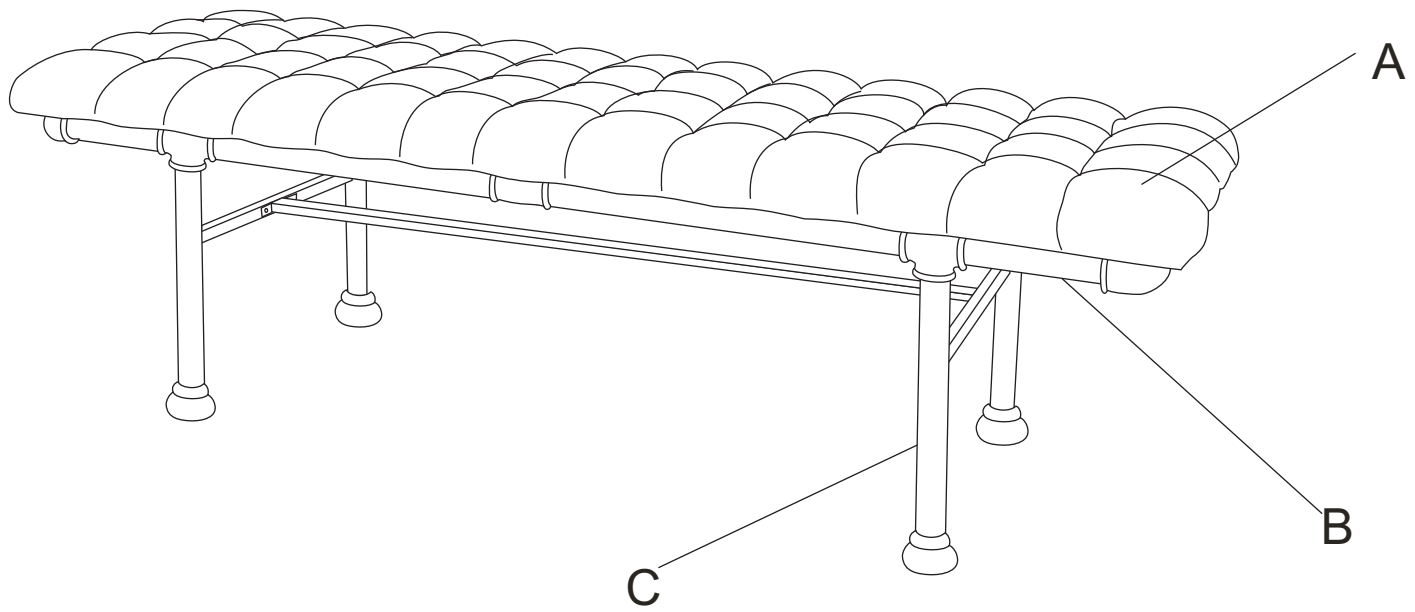
STEP4

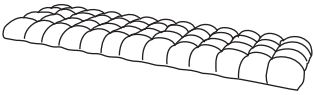
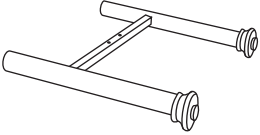
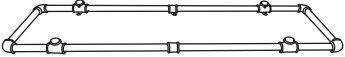



YLX-7009 HDWR

YLX-7009 HDWR			
A		4X	1/4"*45mm
B		4X	1/4"*15mm
C		4X	1/4"*12mm
D		6X	M5*20mm
E		1X	S4

Note: Pls do not tighten all bolts until the products is assembled completely.



YLX-7009	A		1X	C		2X
	B		1X	D		1X