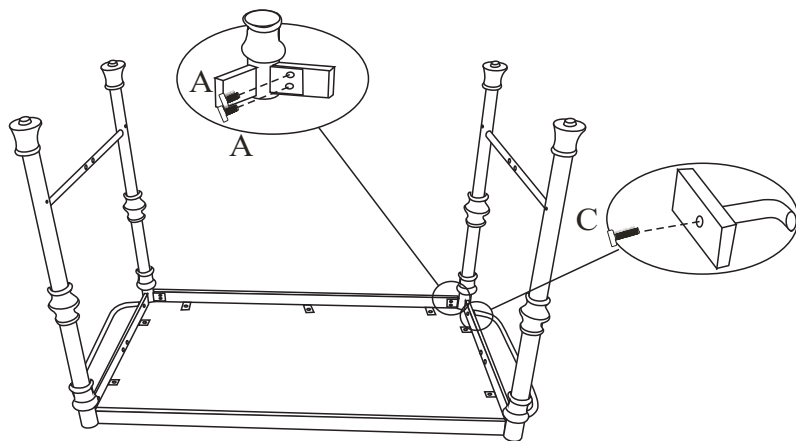
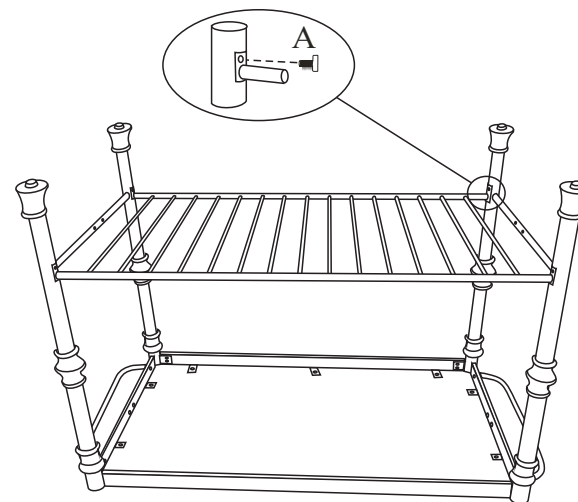


YLX-5014 KITCHEN SHELF

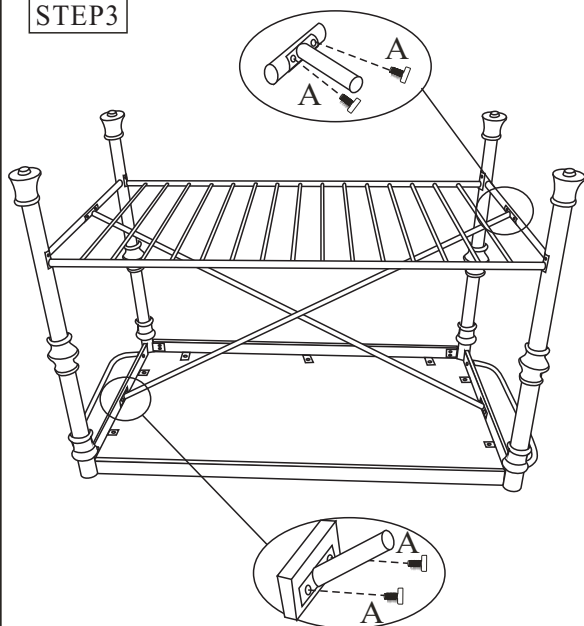
STEP1



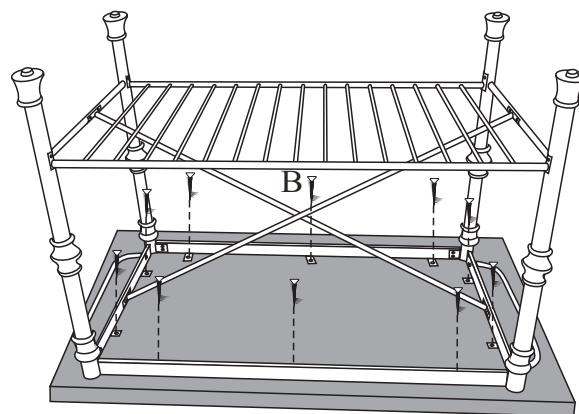
STEP2



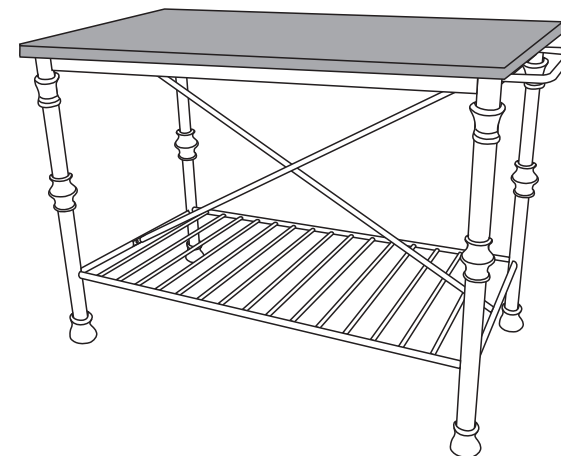
STEP3



STEP4



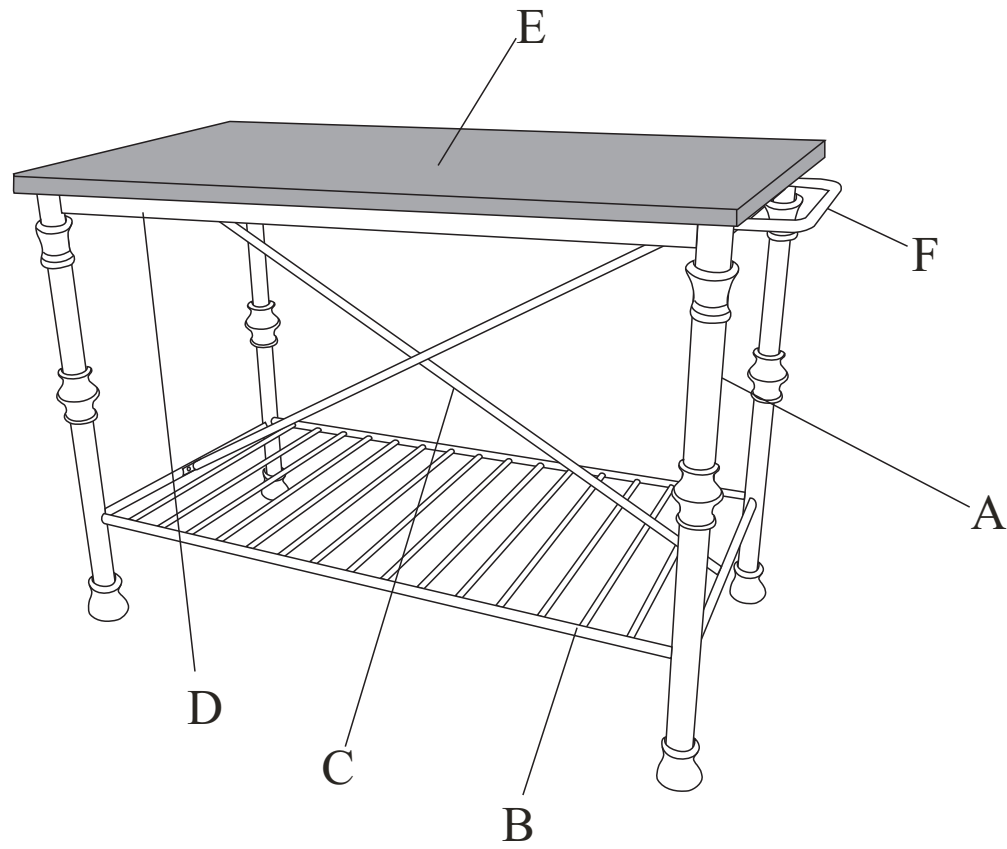
STEP5

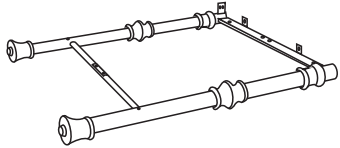



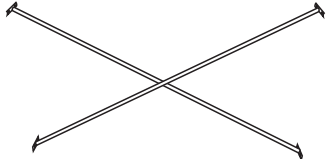



YLX-5041 HDWR

A		20X	1/4"*12mm
B		10X	M5*20mm
C		4X	1/4"*30mm
D		1X	S4

Note: Pls do not tighten all bolts until the products is assembled completely.



YLX-5041	A		2X	D		2X
	B		1X	E		1X
	C		1X	F		2X