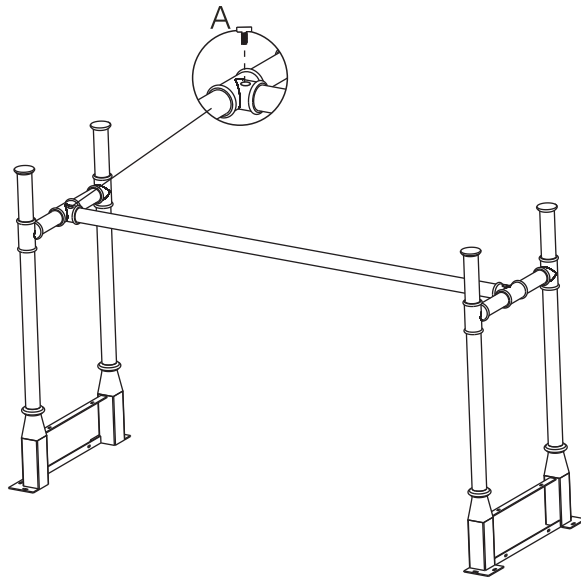
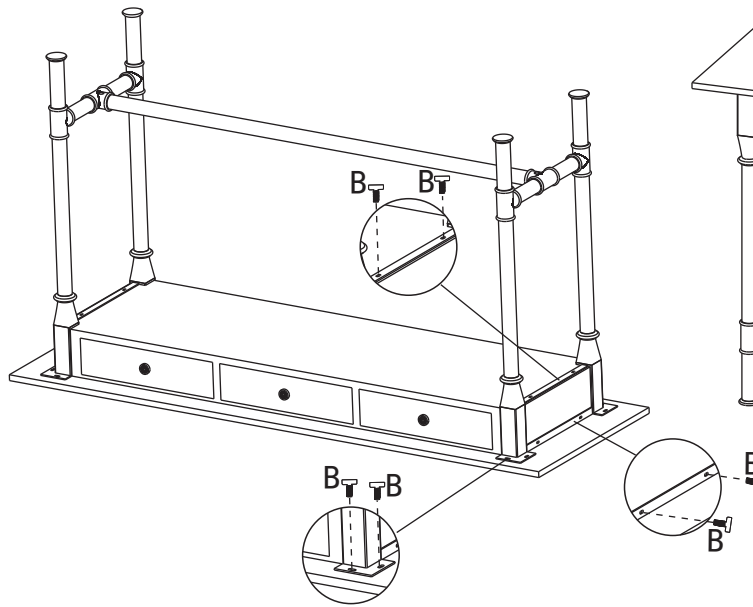


YLX-5013/DESK

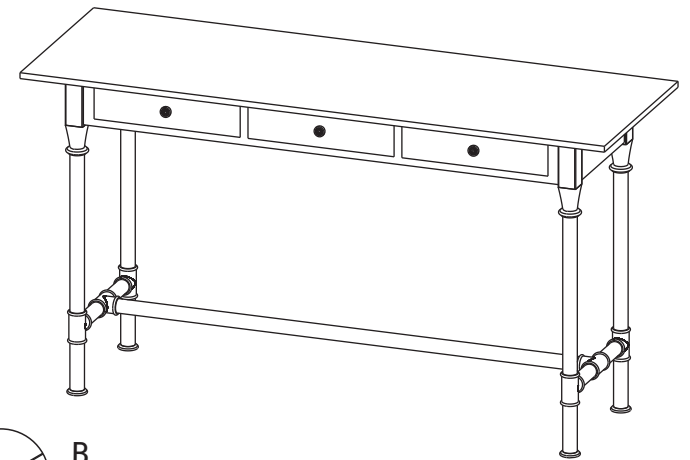
STEP1






STEP2

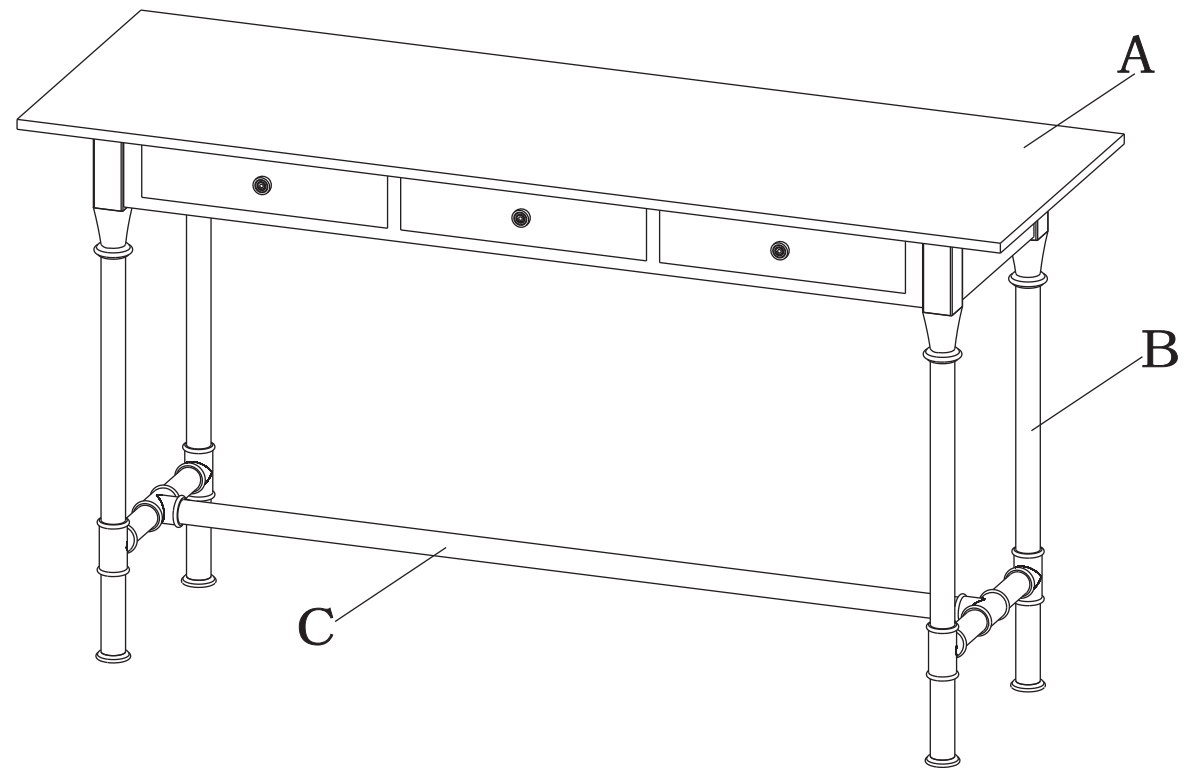


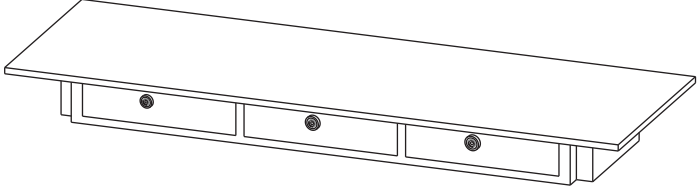
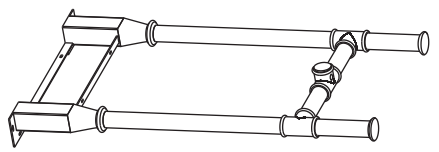
STEP3



Note: Pls do not tighten all bolts until the products is assembled completely.

YLX-5013 HDWR			
A		2X	1/4" * 15mm
B		16X	1/4" * 12mm
C		1X	S4



YLX-5013	A				1X
	B		2X	C	