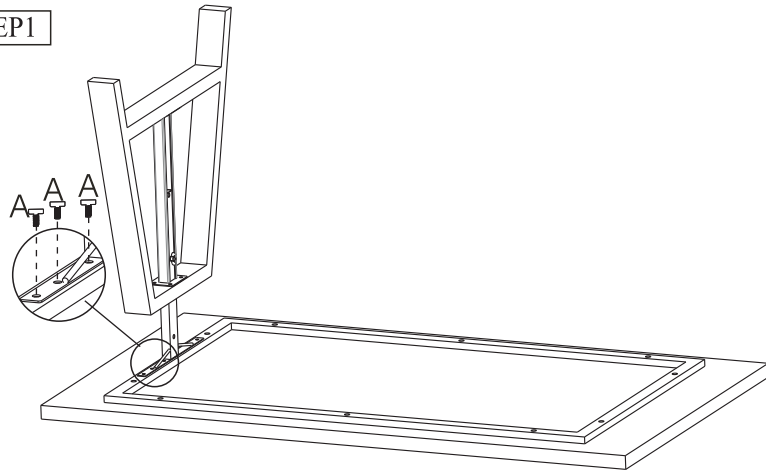
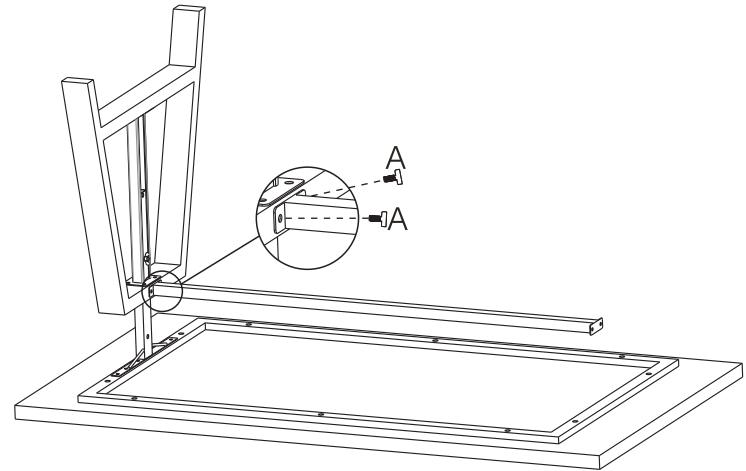


# YLX-5011/DESK

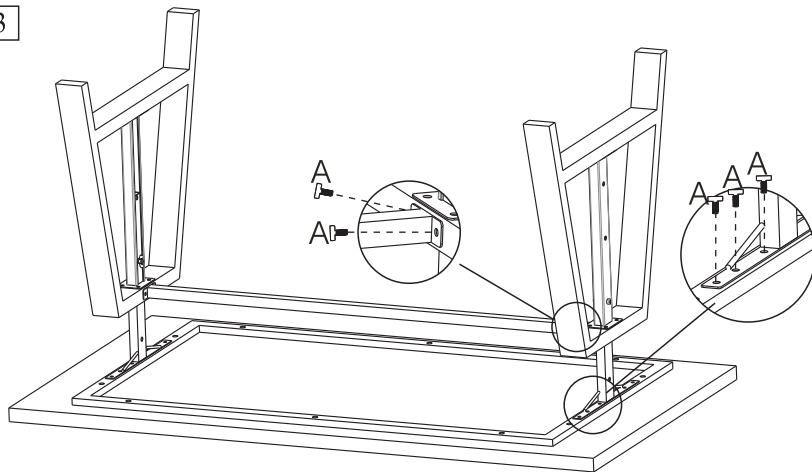
STEP1



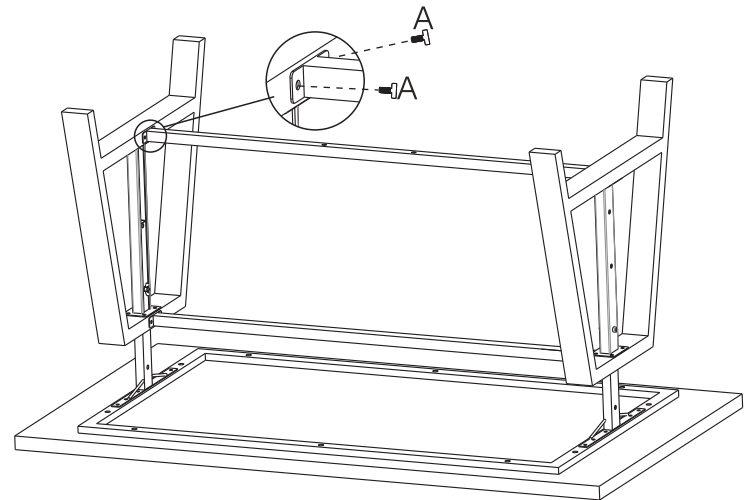
STEP2



STEP3



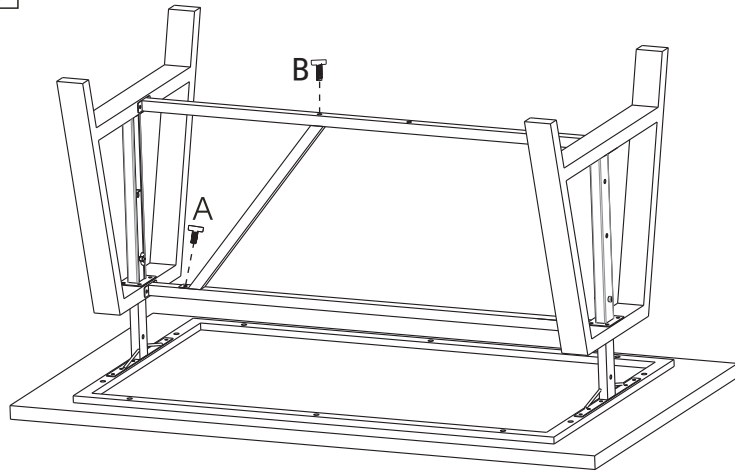
STEP4



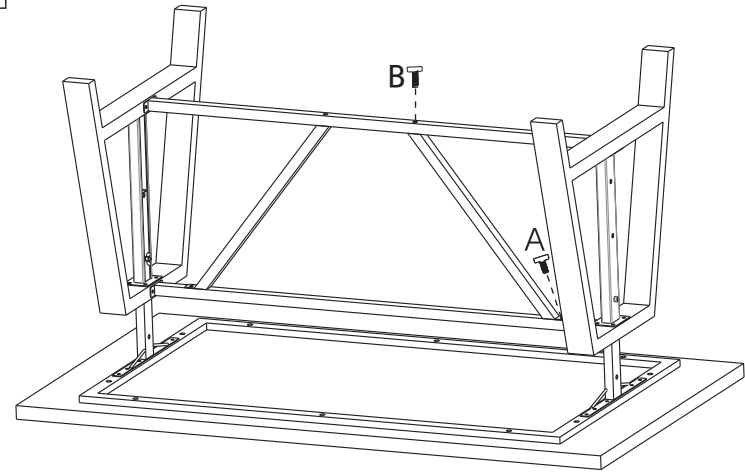
Note: Pls do not tighten all bolts until the products is assembled completely.

# YLX-5011/DESK

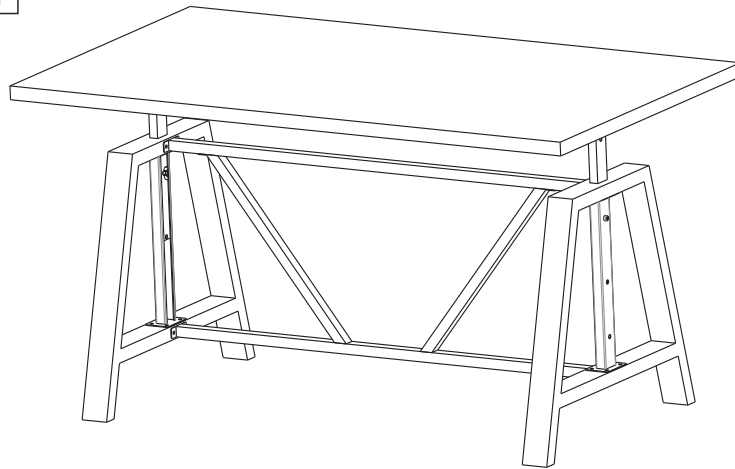
STEP5






STEP6

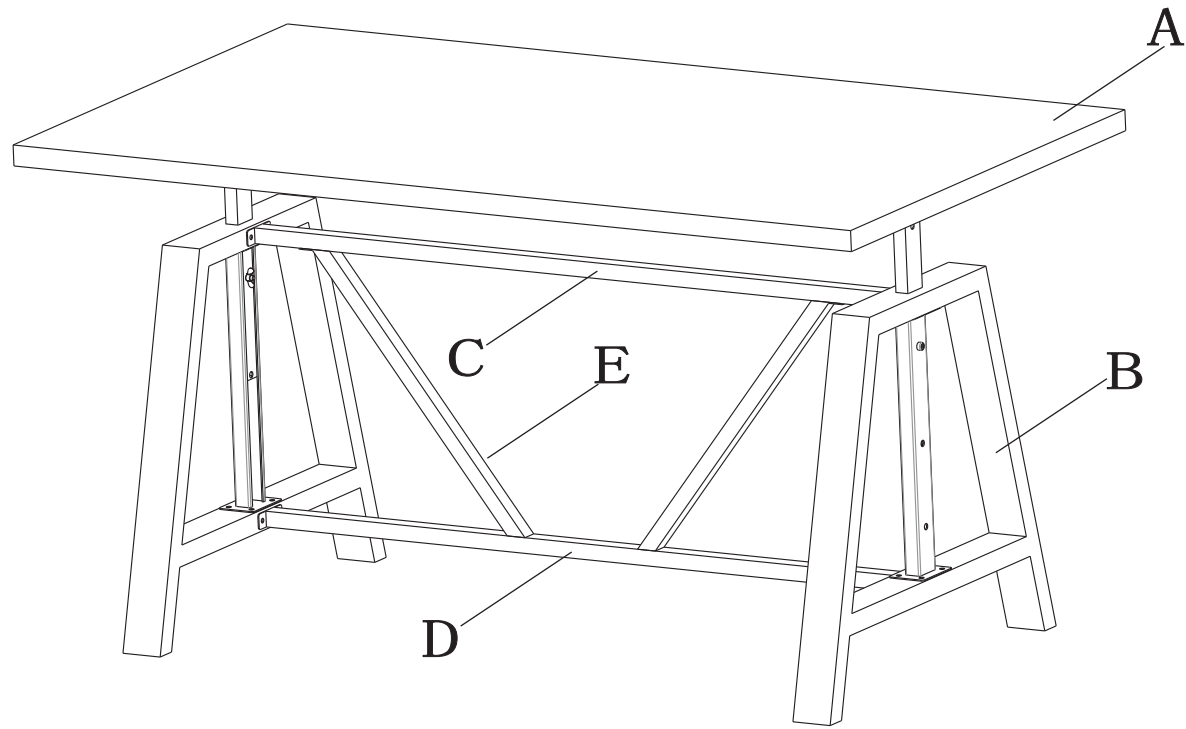



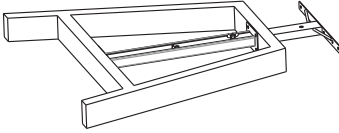



STEP7



YLX-5011 HDWR			
A		22X	1/4" * 12mm
B		2X	1/4" * 35mm
C		1X	S4

Note: Pls do not tighten all bolts until the products is assembled completely .



YLX-5011	A		1X	B		2X	C		1X
	D		1X	E		2X			