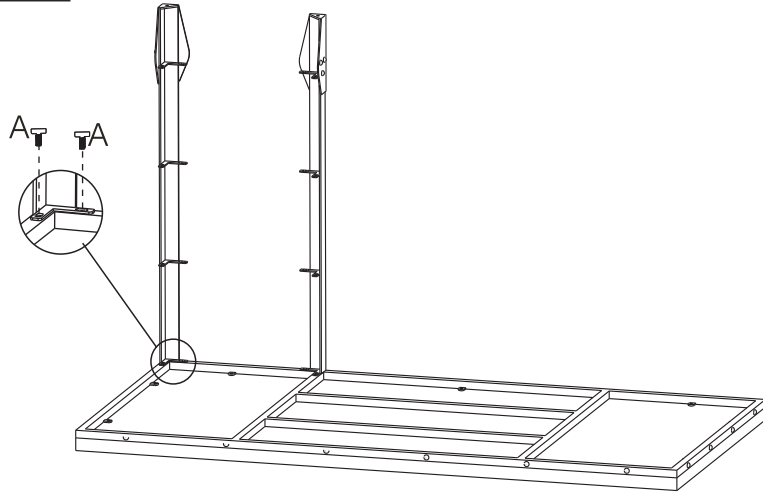
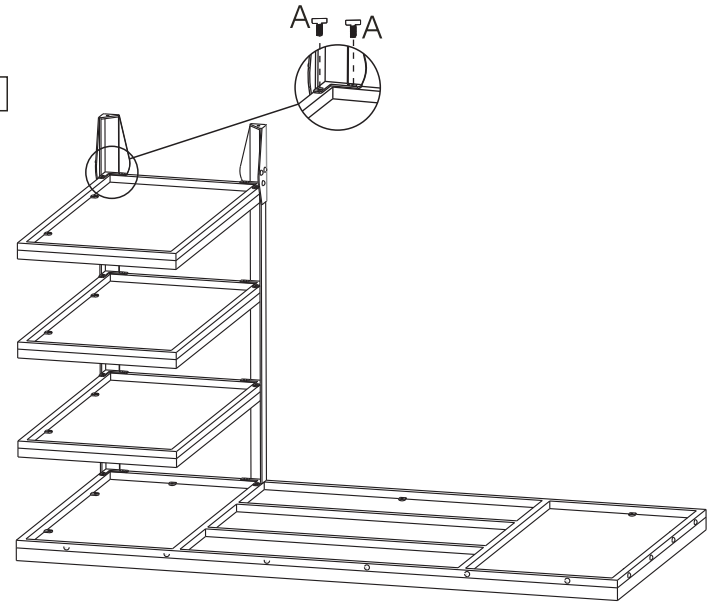


# YLX-5001/DESK

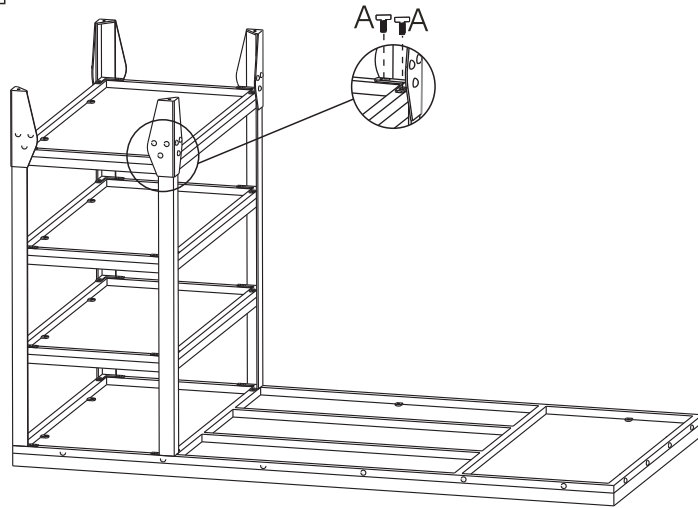
STEP1



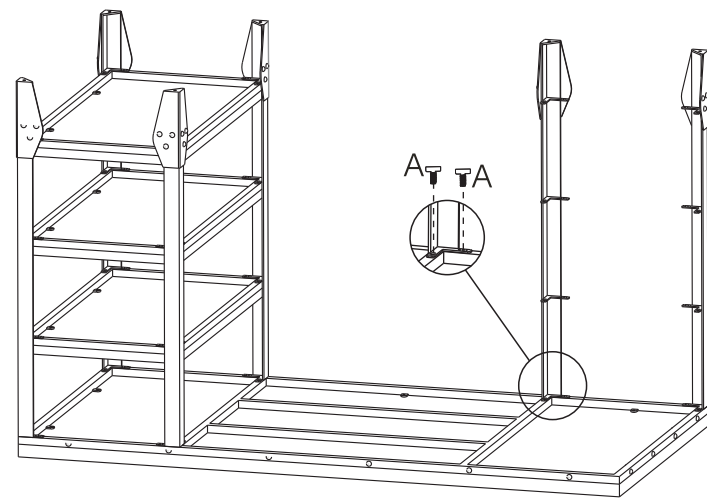
STEP2



STEP3



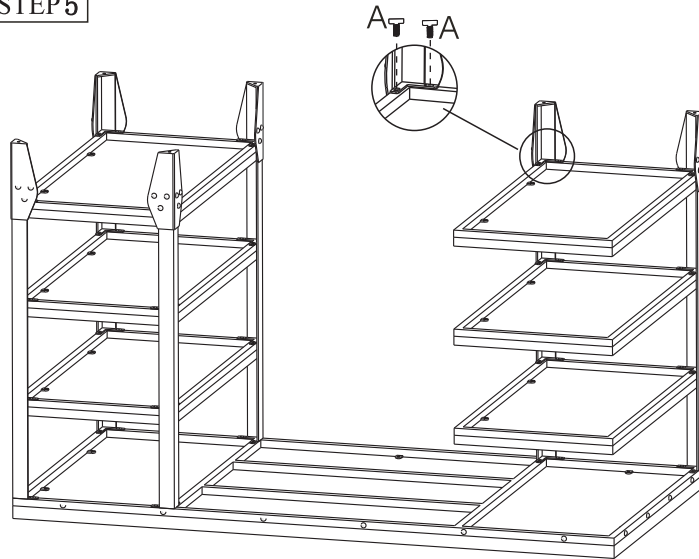
STEP4



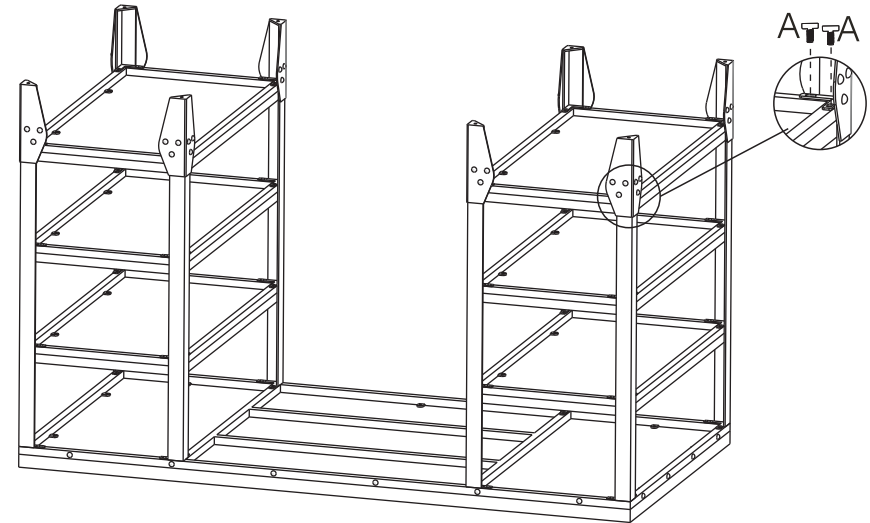
Note: Pls do not tighten all bolts until the products is assembled completely.

# YLX-5001/DESK

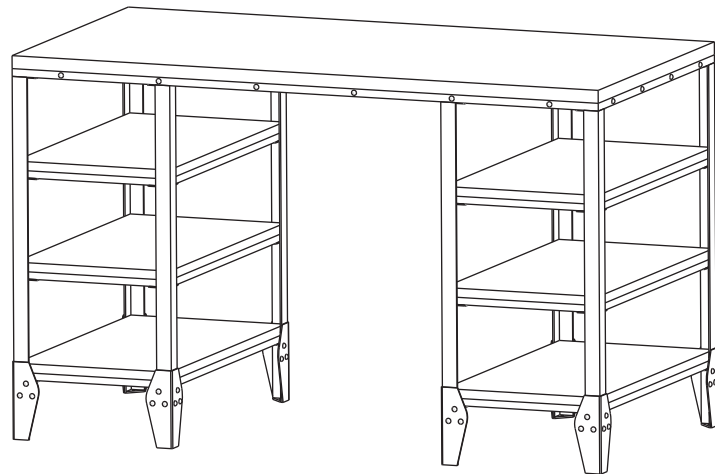
STEP 5





STEP 6

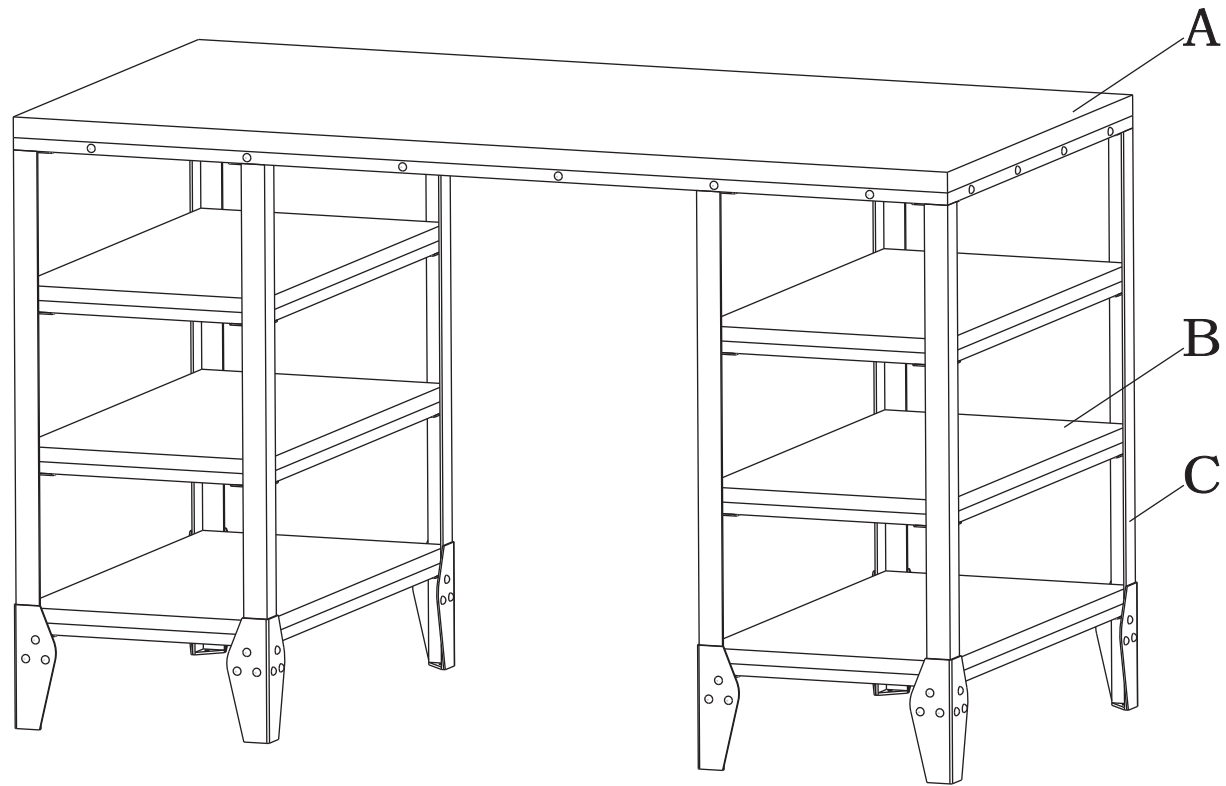


STEP 7



YLX-5001 HDWR			
A		64X	1/4" * 12mm
B		1X	S4

Note: Pls do not tighten all bolts until the products is assembled completely .



YLX-5001	A			1X	
	B		6X	C	