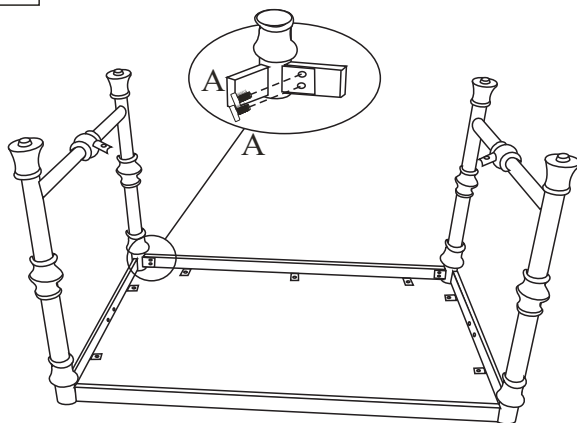
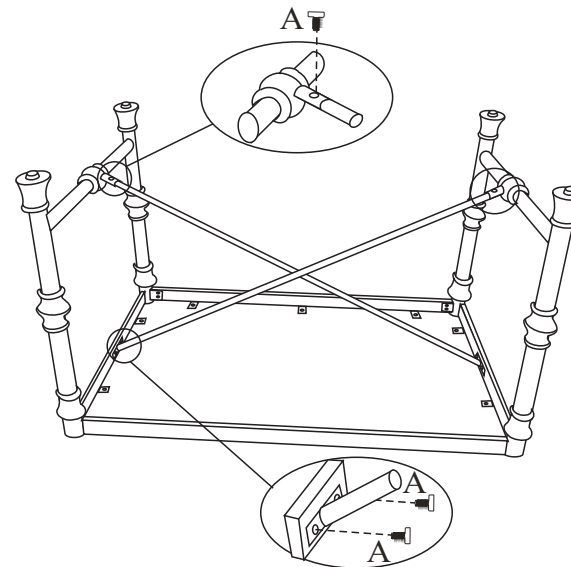


YLX-4070 DINING TABLE

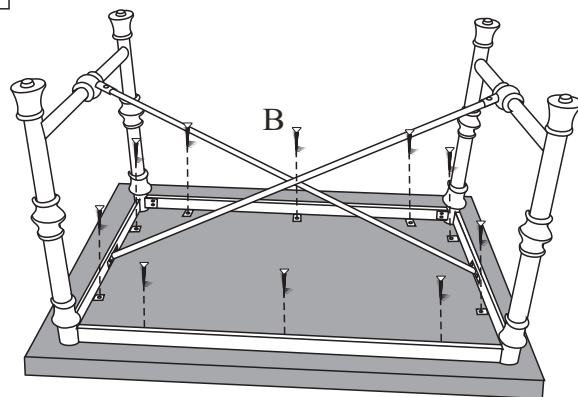
STEP1



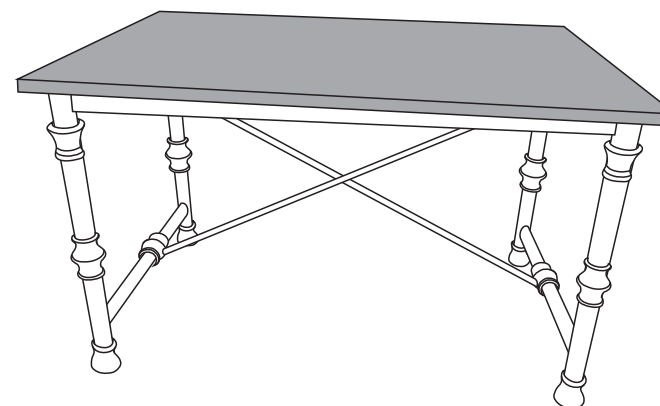
STEP2






STEP3

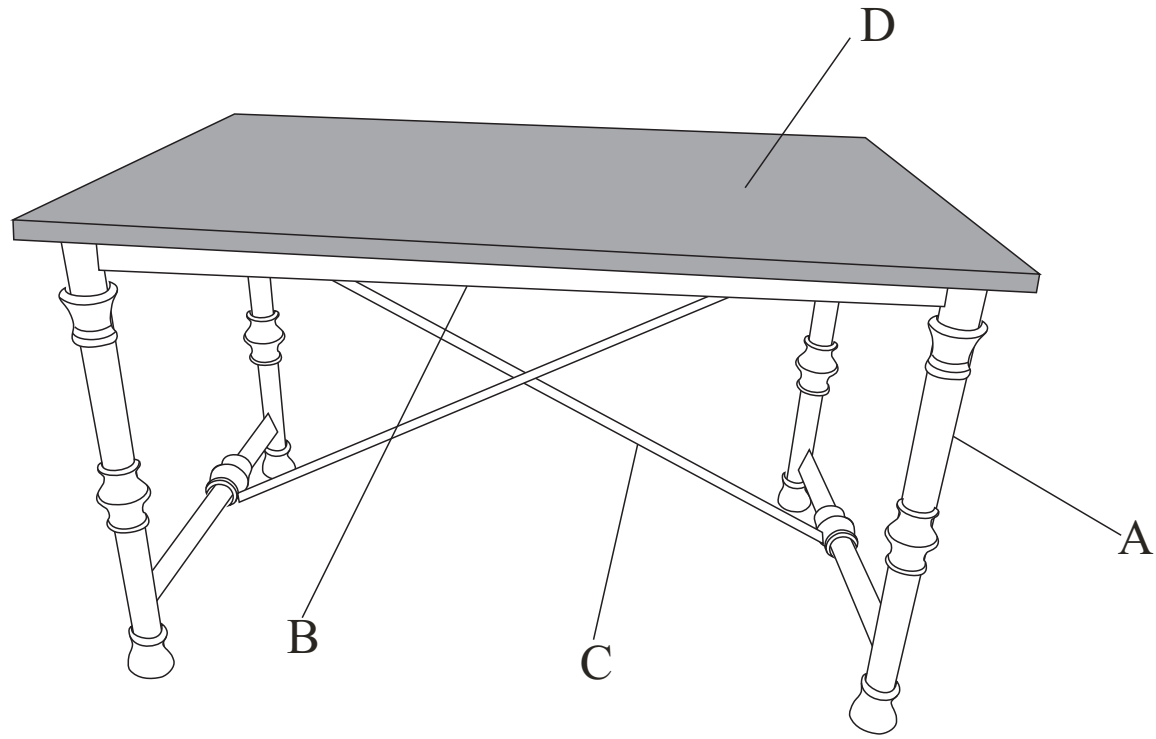


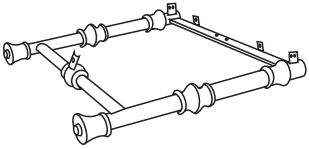
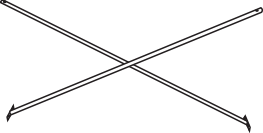

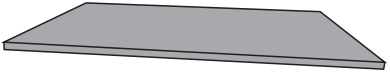
STEP4



YLX-4070 HDWR			
A		14X	1/4"*12mm
B		10X	M5*20mm
C		1X	S4

Note: Pls do not tighten all bolts until the products is assembled completely.



YLX-4070	A		2X	C		1X
	B		2X	D		1X