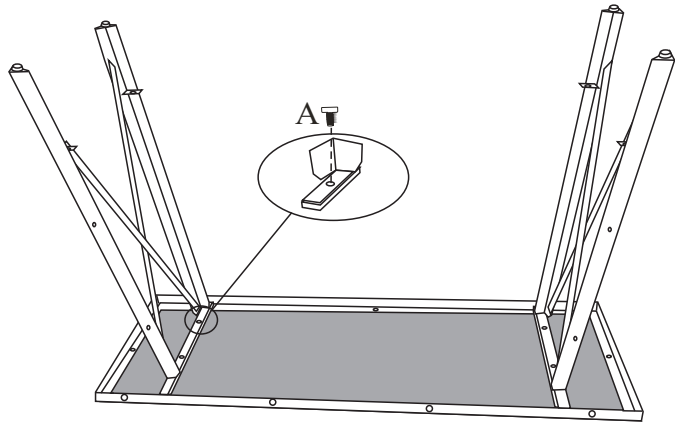
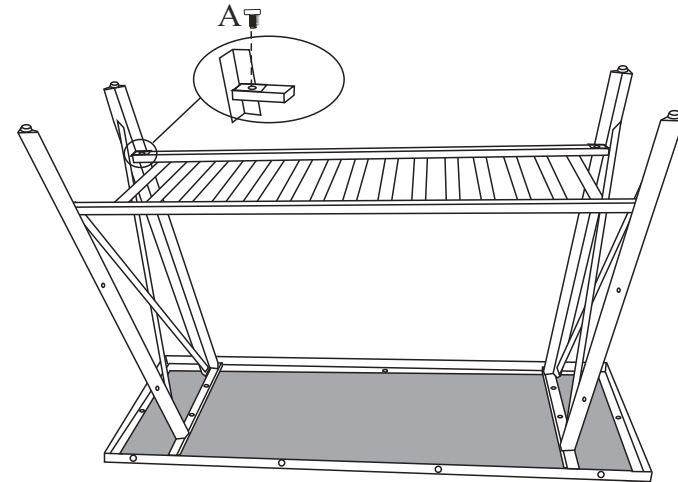


YLX-2713 CONSOLE TABLE

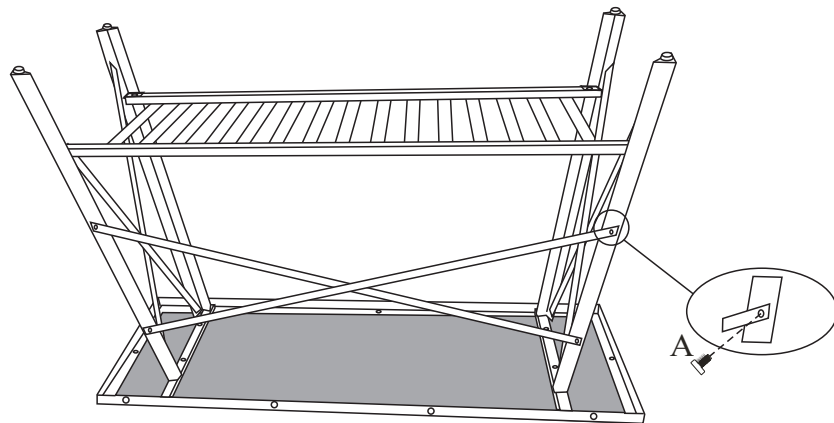
STEP1



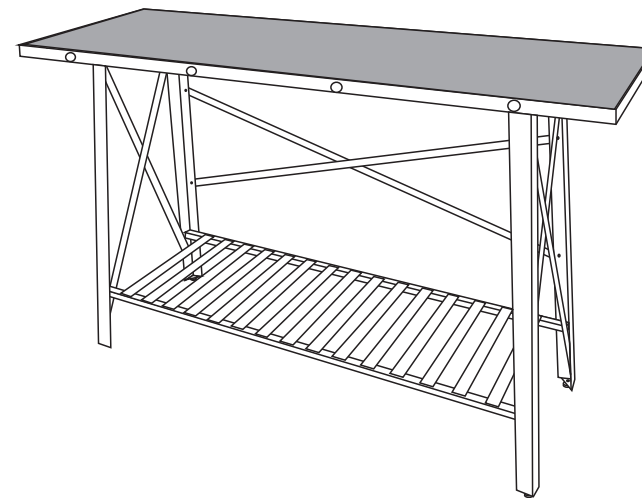
STEP2





STEP3



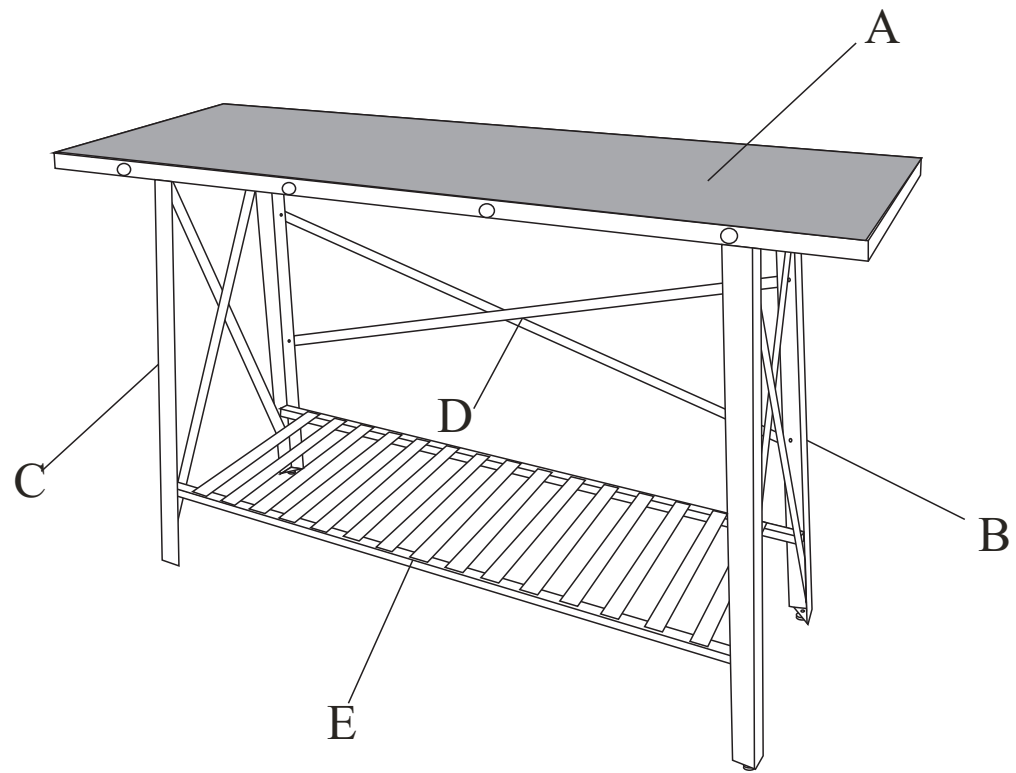
STEP4

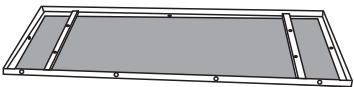


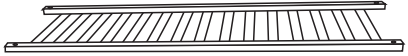
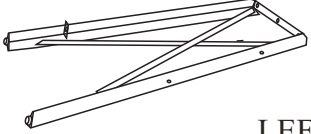


YLX-2713 HDWR

A		12X	1/4"*12mm
B		1X	S4

Note: Pls do not tighten all bolts until the products is assembled completely.



YLX-2713	A		1X	D		1X
	B	 RIGHT	1X	E		1X
	C	 LEFT	1X			