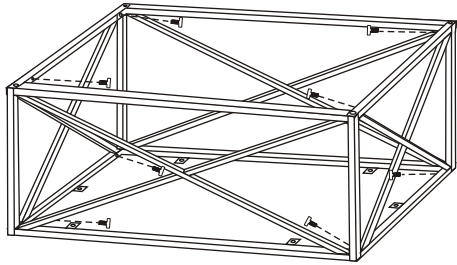
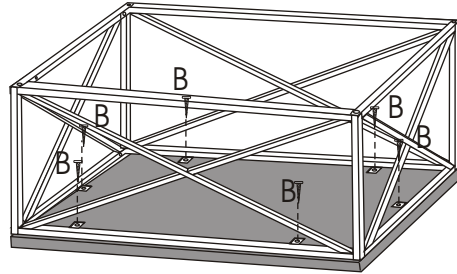


YLX-2692-CT AND ET

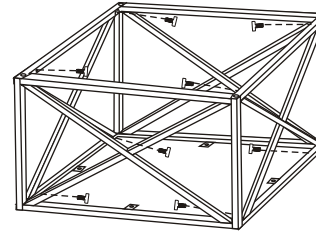
STEP1



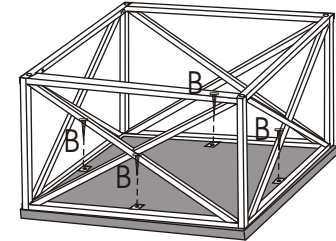
STEP2



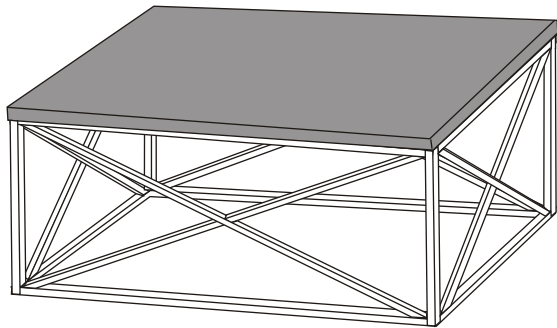
STEP1



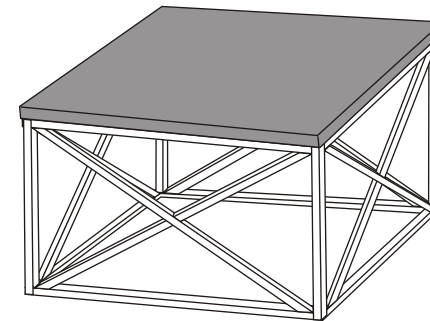
STEP2

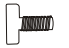




STEP3

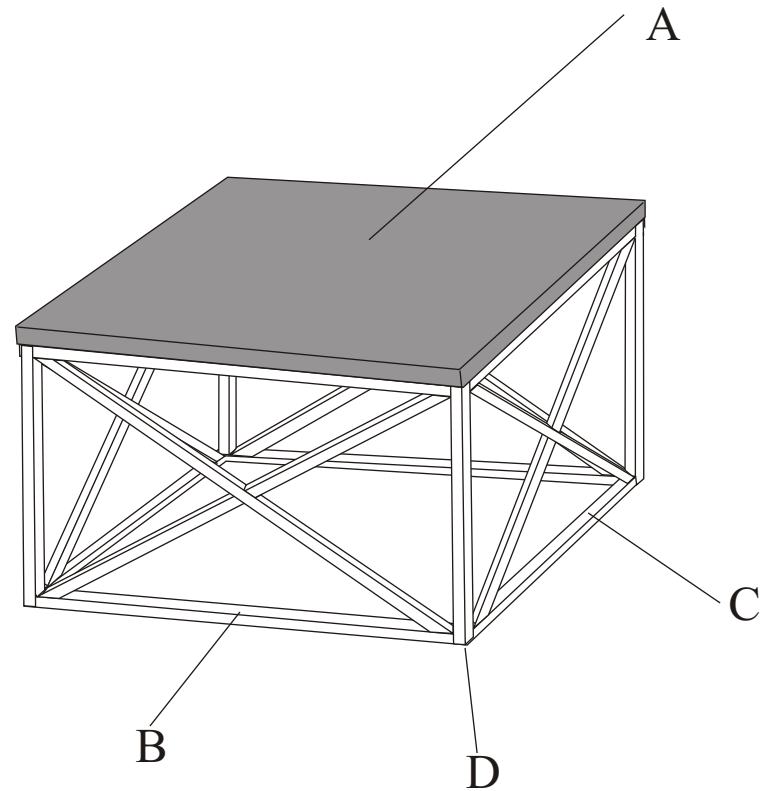
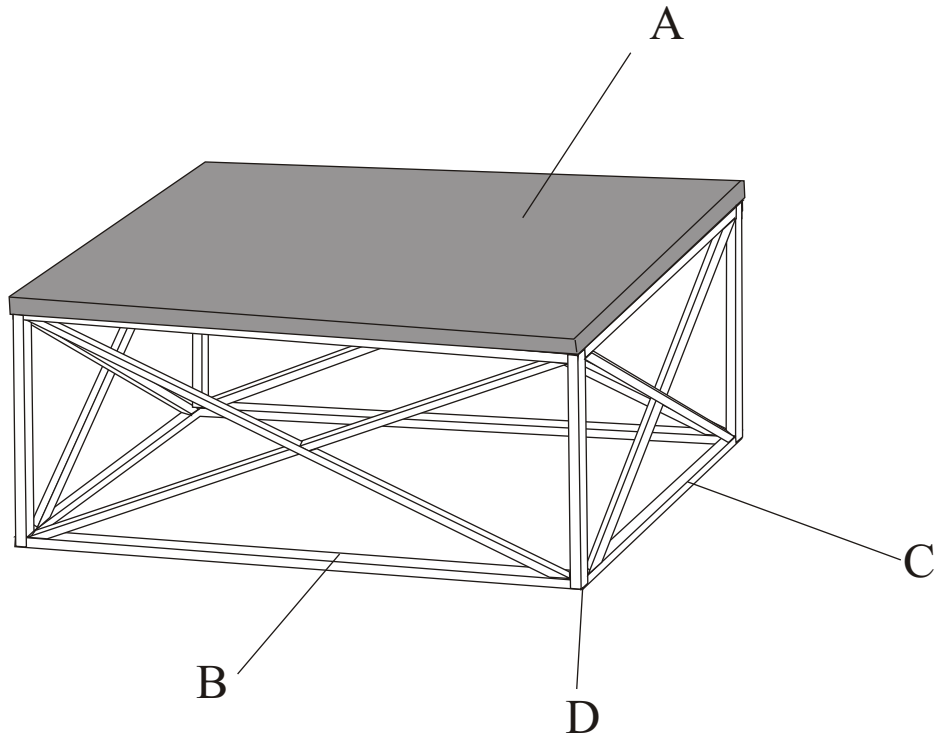



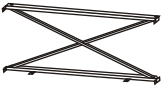


STEP3







A		24X	1/4"*12mm
B		14X	M5*15mm
C		1X	S4

Note: Pls do not tighten all bolts until the products is assembled completely.



YLX-2692	A		1X
	B		2X
	C		2X
	D	 $\phi 18*1/4''*10\text{mm}$	4X

YLX-2692	A		1X
	B		2X
	C		2X
	D	 $\phi 18*1/4''*10\text{mm}$	4X