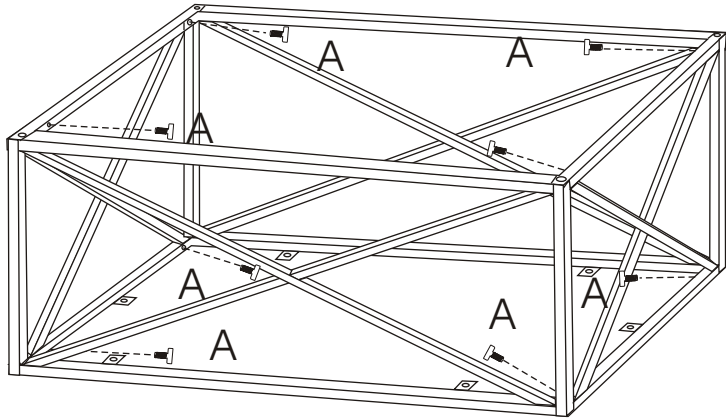
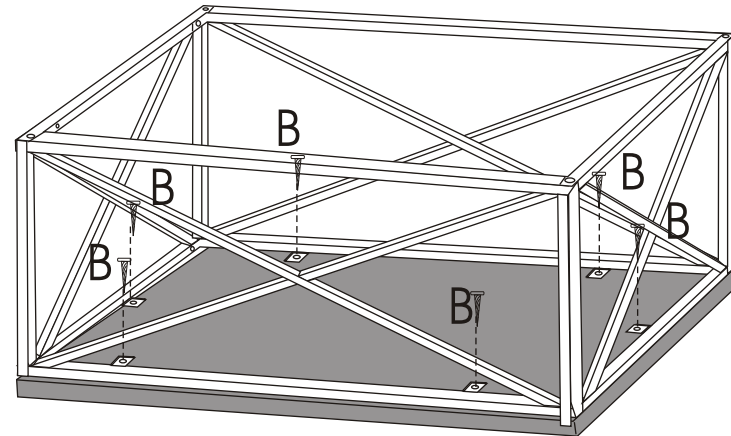


YLX-2692-CT

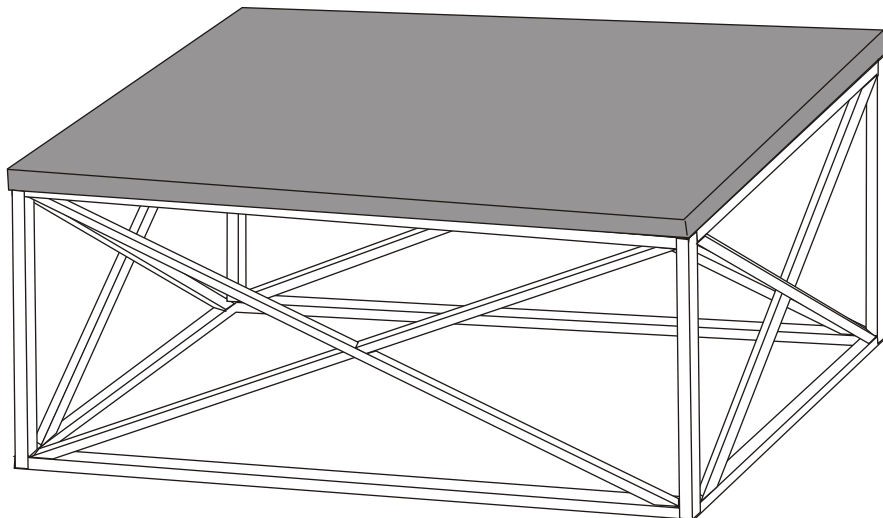
STEP1






STEP2

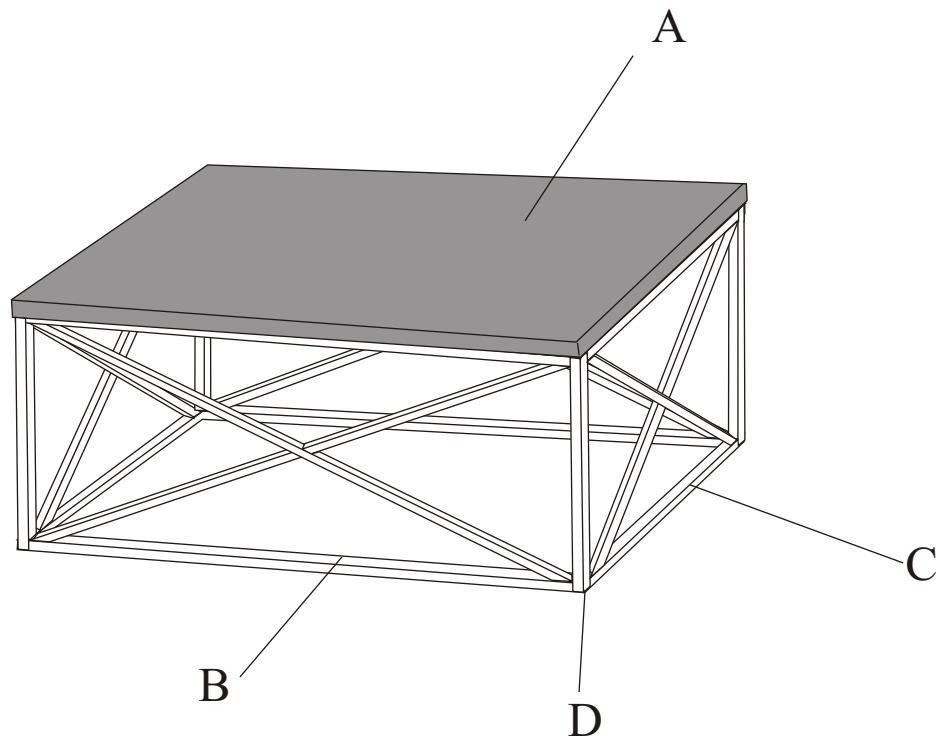



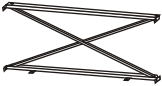


STEP3



A		8X	1/4"*12mm
B		6X	M5*15mm
C		1X	S4

Note: Pls do not tighten all bolts until the products is assembled completely.



YLX-2692	A		1X
	B		2X
	C		2X
	D	 $\phi 18 * 1/4" * 10\text{mm}$	4X