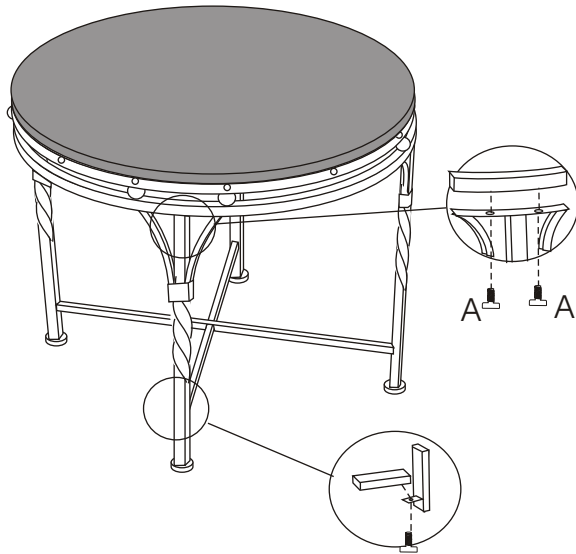
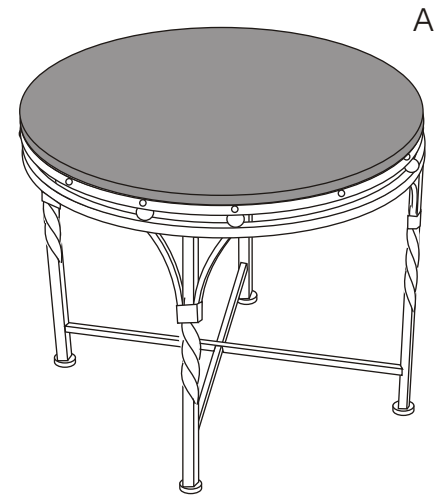




YLX-2687-ET

STEP1

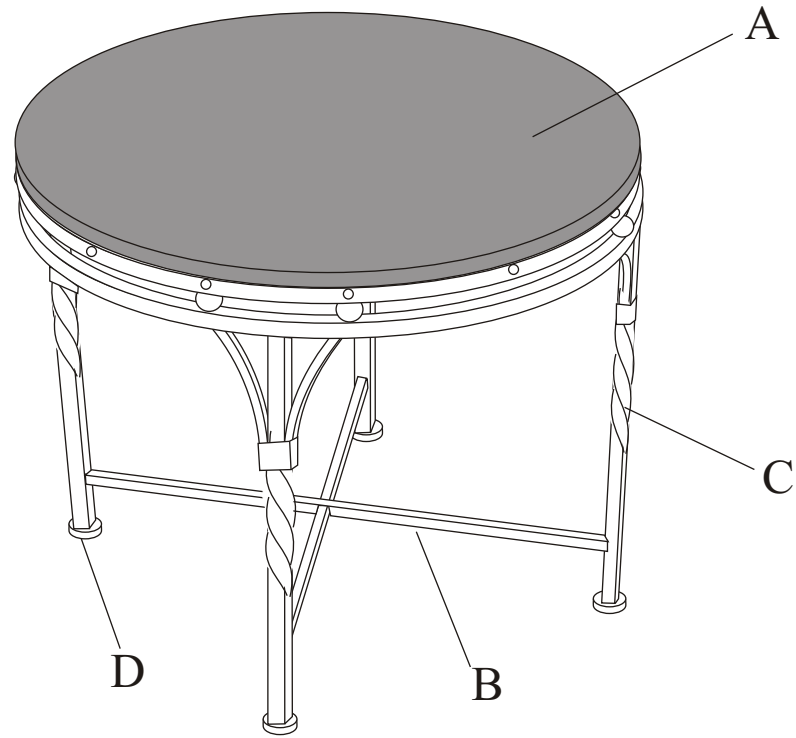




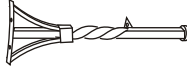

STEP2



| | | | |
|---|---|-----|-----------|
| A |  | 12X | 1/4"*12mm |
| B |  | 1X | S4 |

Note: Pls do not tighten all bolts until the products is assembled completely.



| | | | |
|----------|---|--|----|
| YLX-2687 | A |  | 1X |
| | B |  | 1X |
| | C |  | 4X |
| | D |  $\phi 24 * 1/4" * 10\text{mm}$ | 4X |