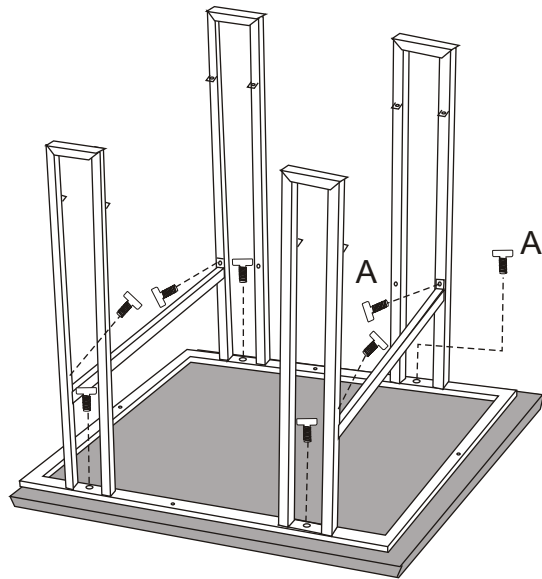
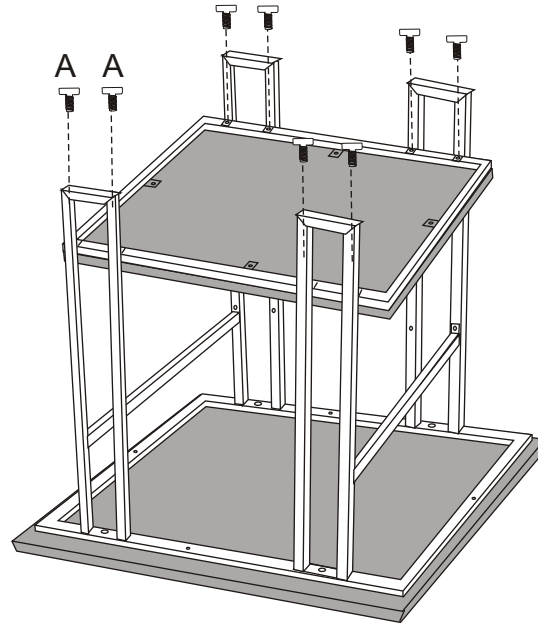


YLX-2646-ET END TABLE

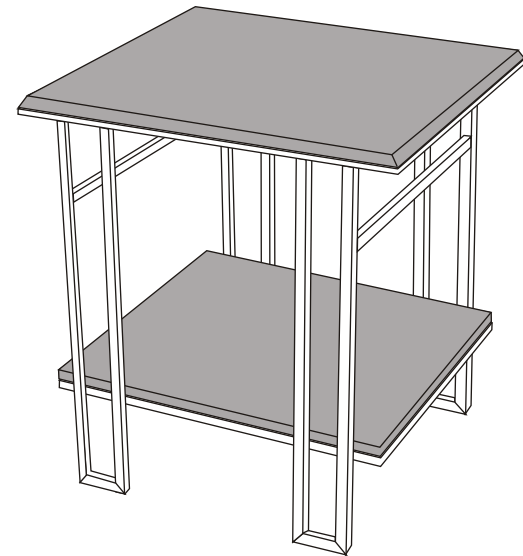
STEP1





STEP2

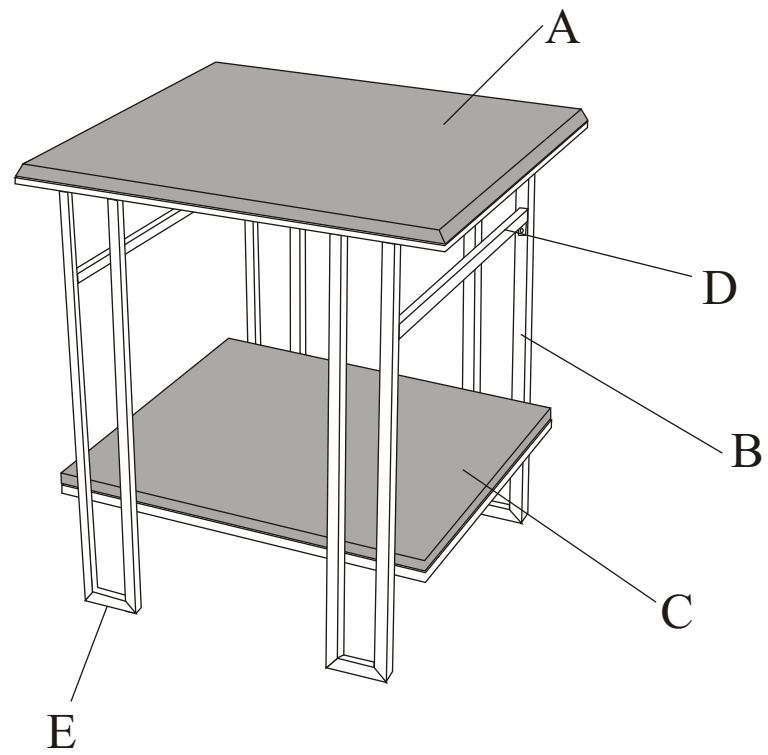


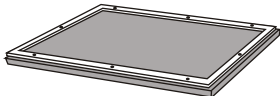

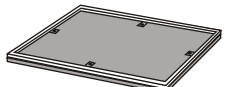


STEP3



Note: Pls do not tighten all bolts until the products is assembled completely.

A		16X	1/4"*12mm
B		1X	S4



YLX-2646	A		1X
	B		4X
	C		1X
	D		2X
	E	 $\phi 18 * 1/4" * 10\text{mm}$	4X