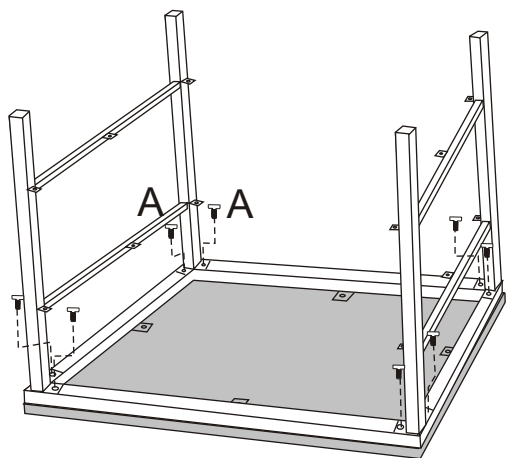
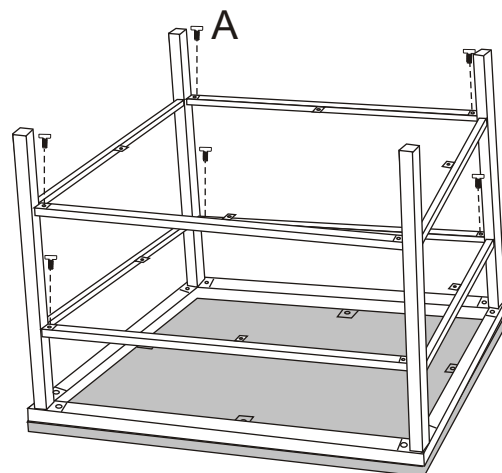


YLX-0005-ET END TABLE

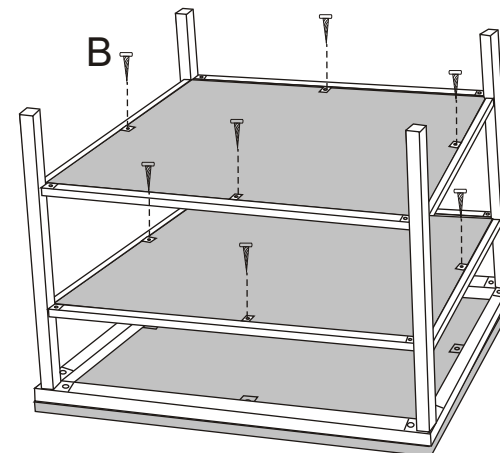
STEP1



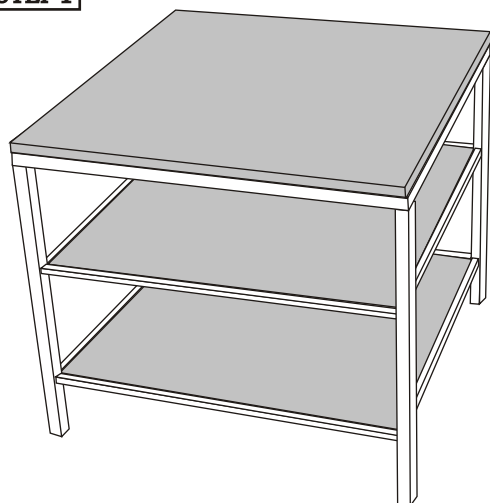
STEP2




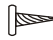

STEP3

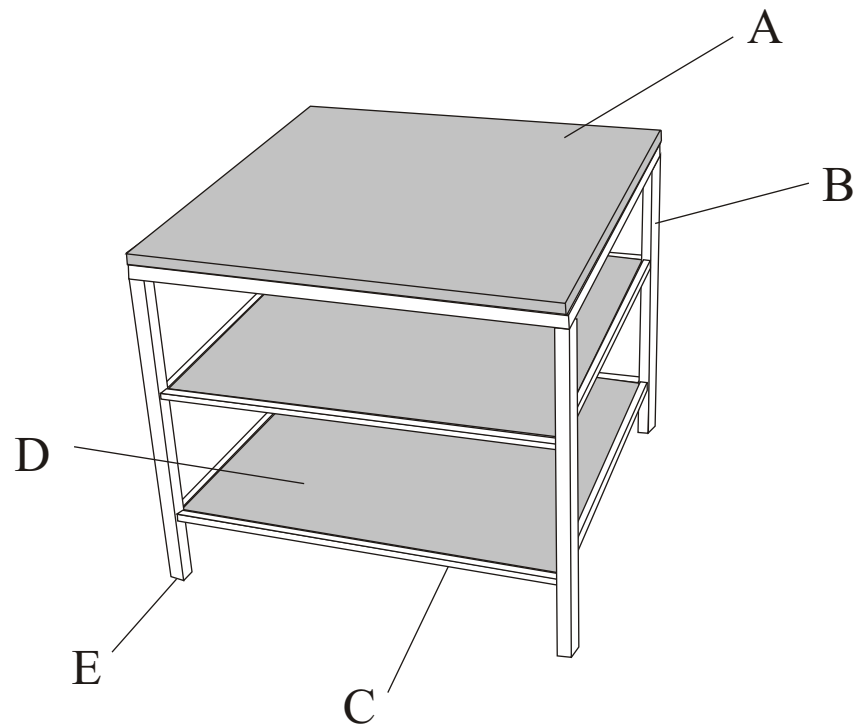


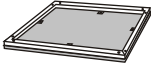
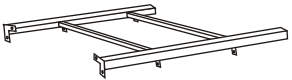
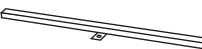
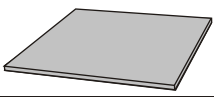

STEP4



Note: Pls do not tighten all bolts until the products is assembled completely.

A		16X	1/4"*12mm
B		8X	M5*15mm
C		1X	S4



YLX-0005	A		1X
	B		2X
	C		4X
	D		2X
	E	 $\phi 24 * 1/4" * 10\text{mm}$	4X