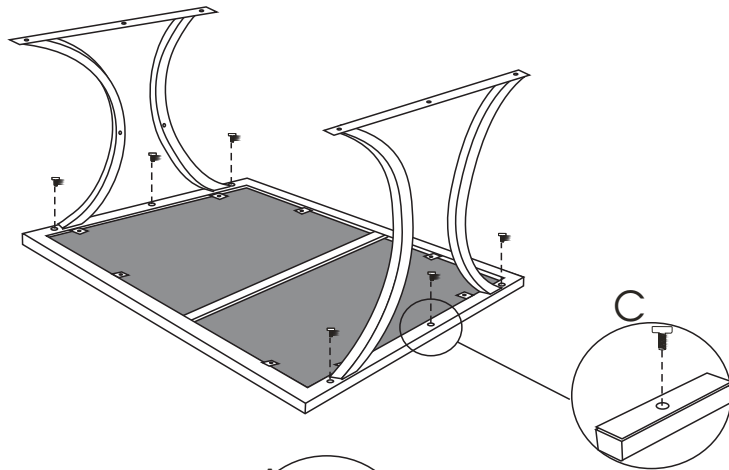
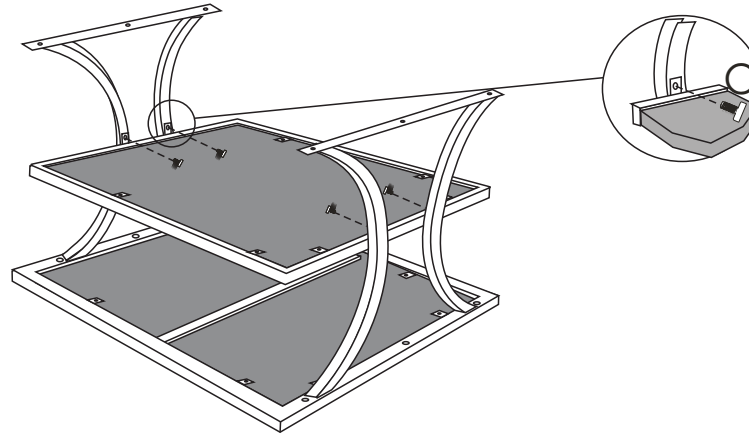


# YLX-0004-ET END TABLE

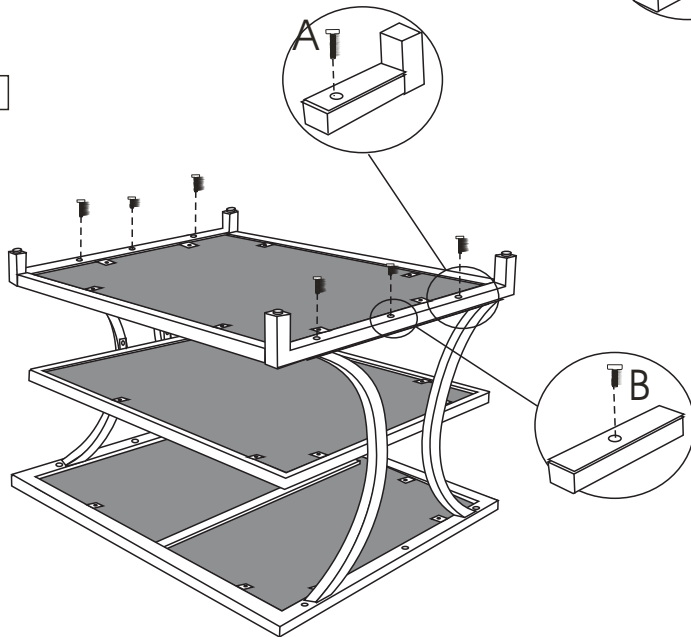
STEP1



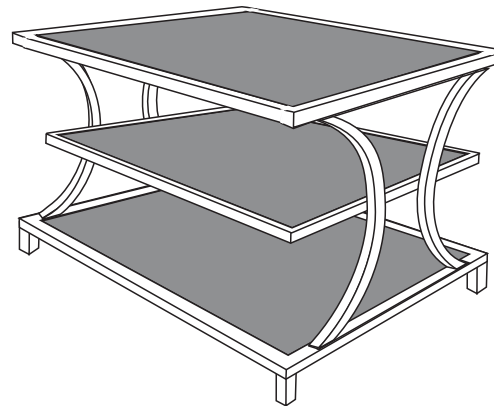
STEP2







STEP3

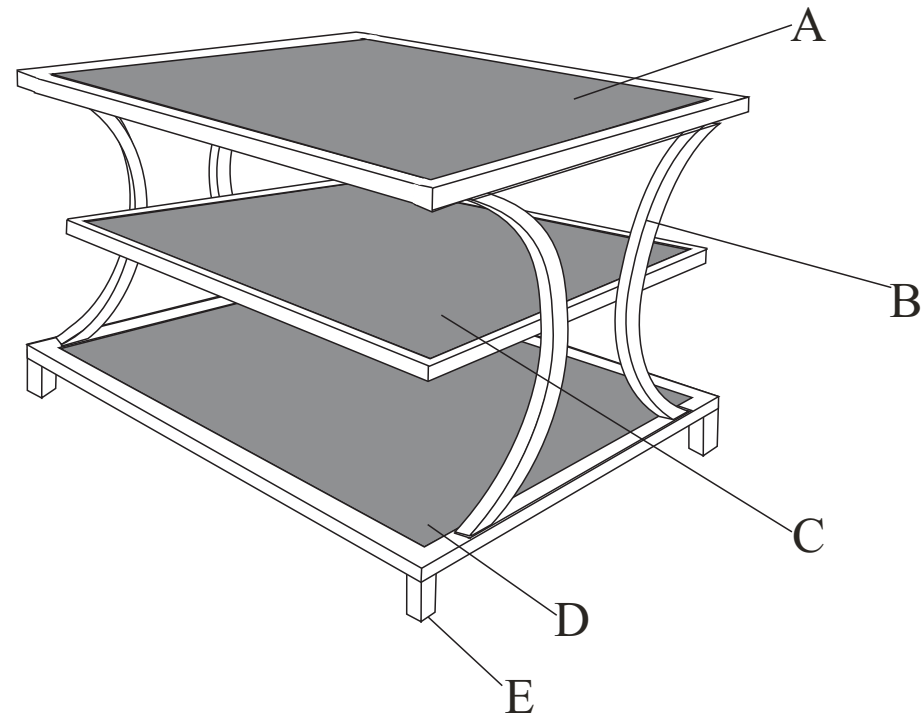


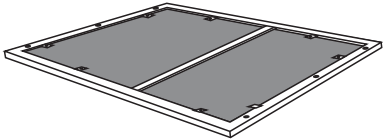
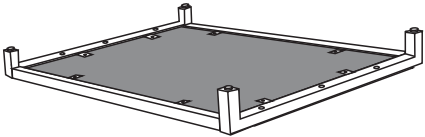
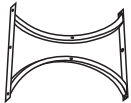

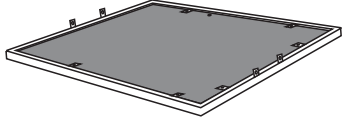
STEP4



Note: Pls do not tighten all bolts until the products is assembled completely.

YLX-0004-ET HDWR			
A		4X	1/4"*35mm
B		2X	1/4"*20mm
C		10X	1/4"*15mm
D		1X	S4



YLX-0004-ET	A		1X	D		1X
	B		2X	E		4X
	C		1X			