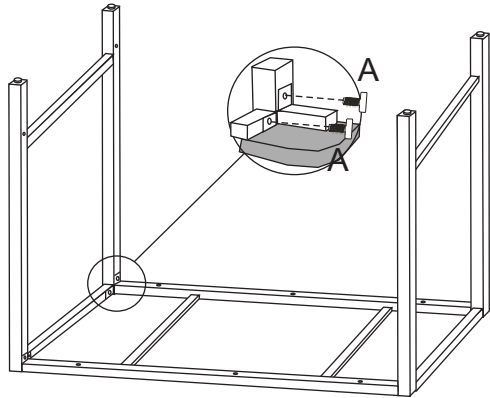
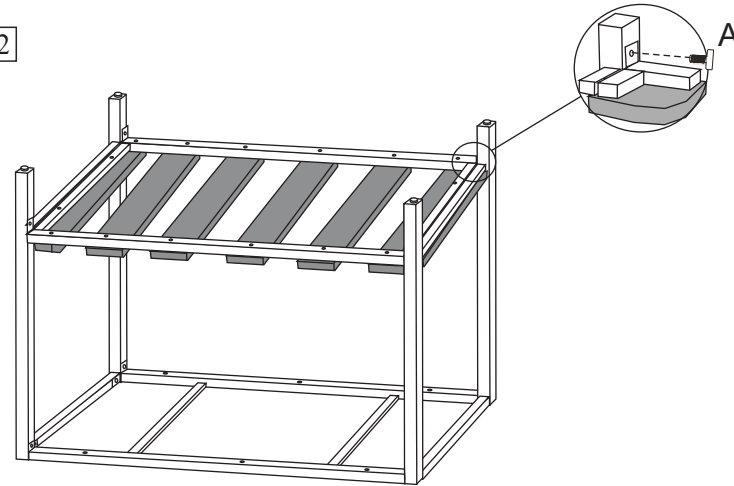


YLX-0003-ET END TABLE

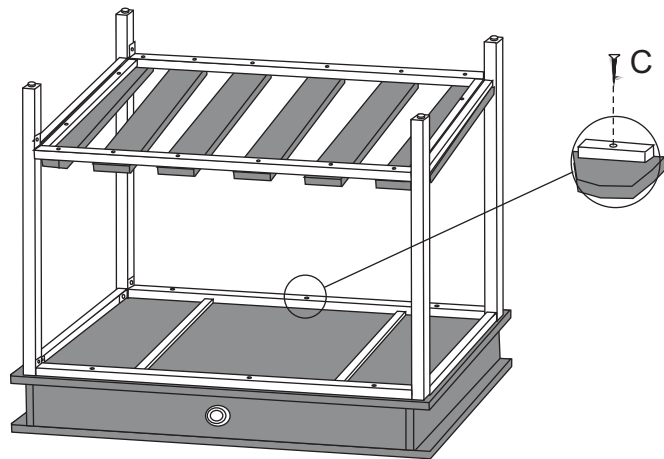
STEP1



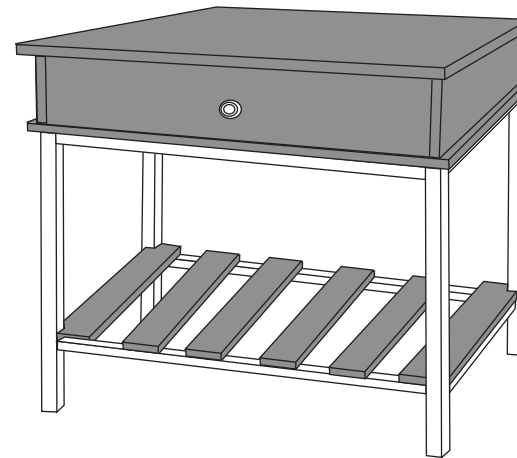
STEP2






STEP3

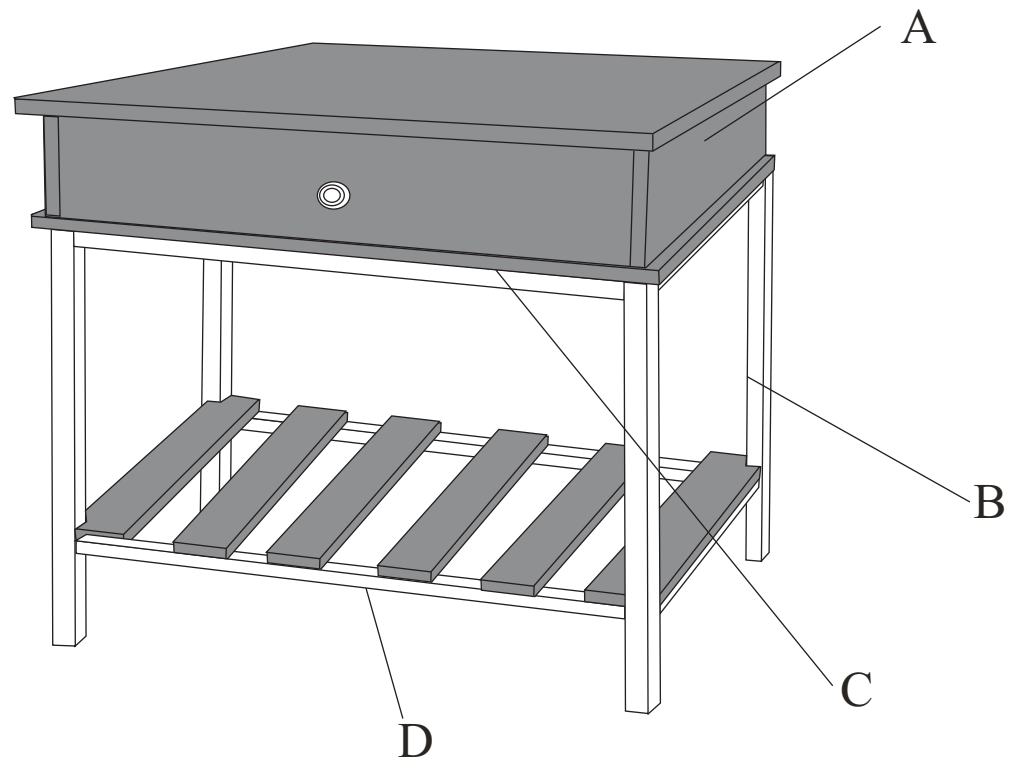


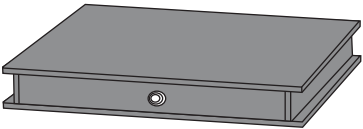
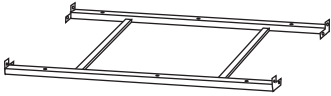
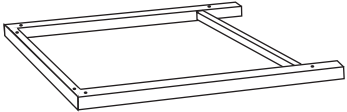
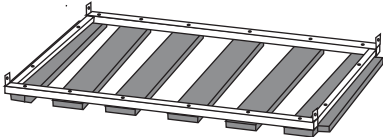
STEP4



Note: Pls do not tighten all bolts until the products is assembled completely.

YLX-0003-ET HDWR			
A		12X	1/4"*15mm
B		6X	M5*32mm
C		1X	S4



YLX-0003-ET	A		1X	C		1X
	B		2X	D		1X