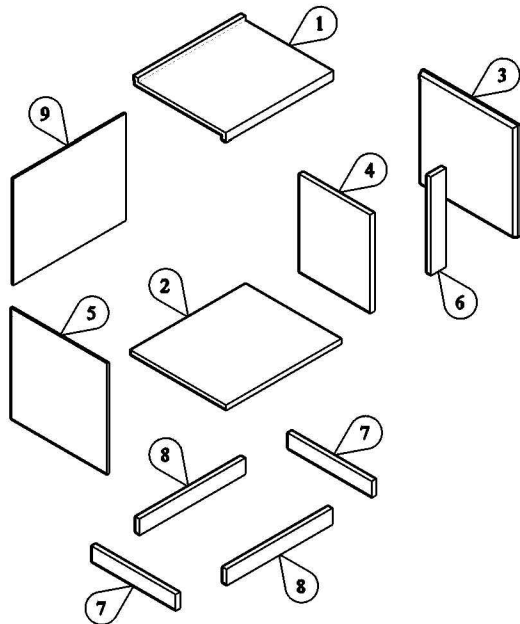
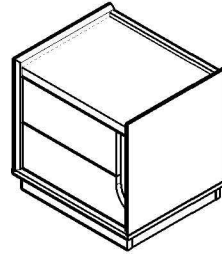


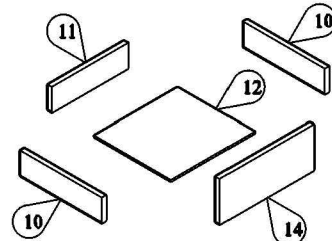


# MODEL : YC NT 00904-US

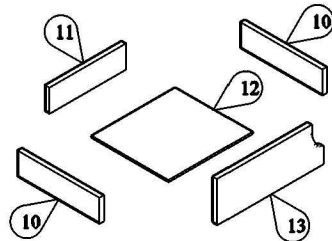
## PANEL POSITION





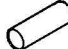







**BODY**

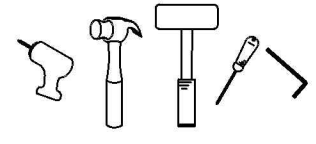
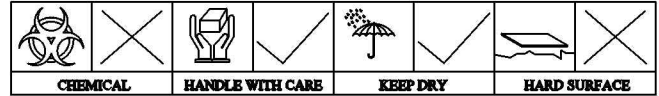


**DRAWER 1**



**DRAWER 2**

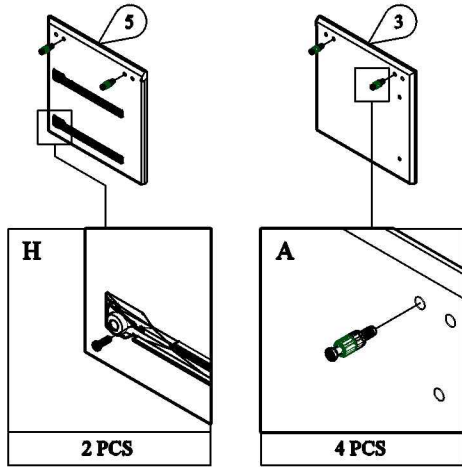
	ACCESSORIES	QUANTITY
A	 MINIFIX M5x24MM	4 PCS
B	 MINIFIX CASING	4 PCS
C	 WOOD DOWEL M8x30MM	22 PCS
D	 SCREW M4x65MM	4 PCS
E	 SCREW M4x38MM	16 PCS
F	 SCREW M6x50MM	4 PCS
G	 POWER PIN	20 PCS
H	 DRAWER SLIDE 14" SCREW M3.5x12MM	2 SETS 24 PCS
I	 L-SHAPE PVC LEG SCREW M3.5x16MM	4 PCS 8 PCS
J	 ALLEN KEY	1 PC



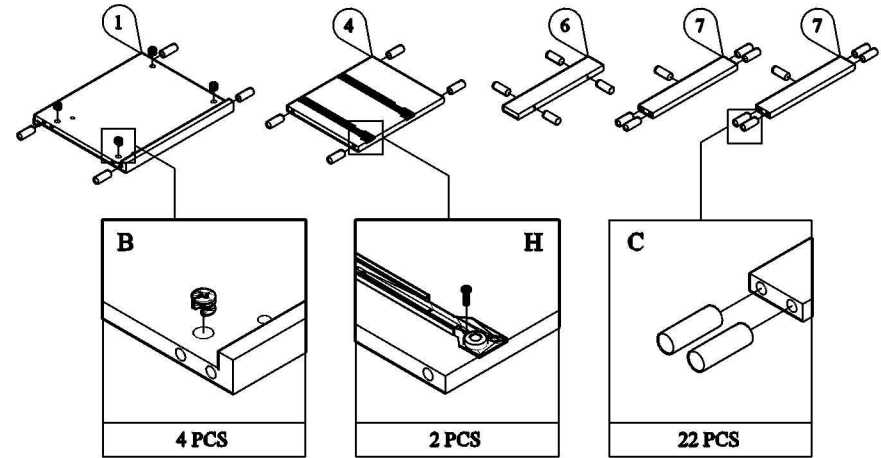


## START ASSEMBLY

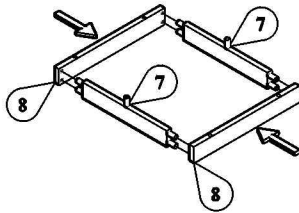
### STEP 1



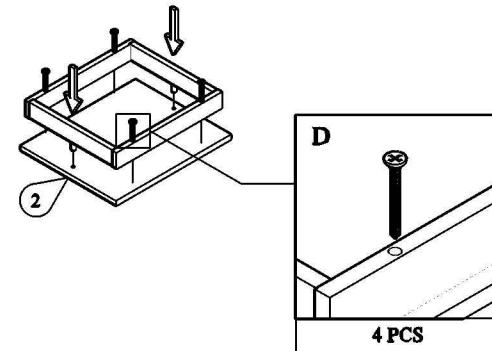
### STEP 2



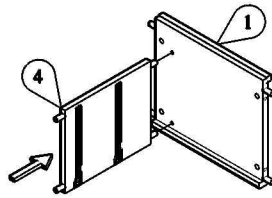
### STEP 3



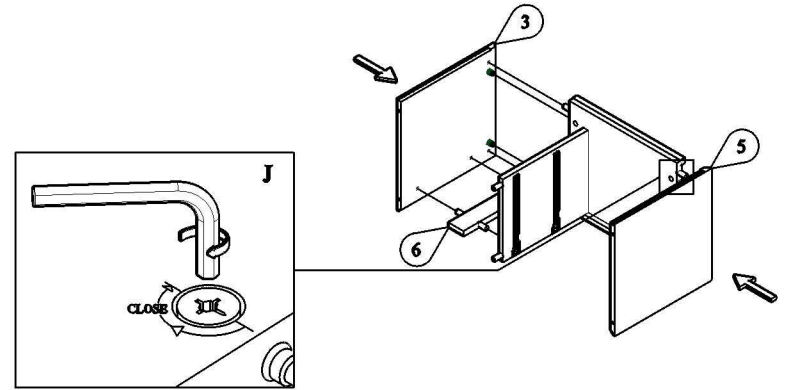
### STEP 4



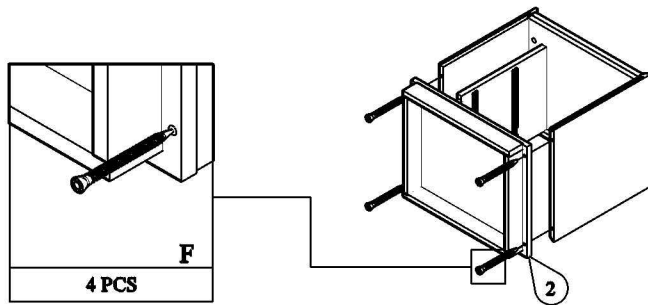
**STEP 5**



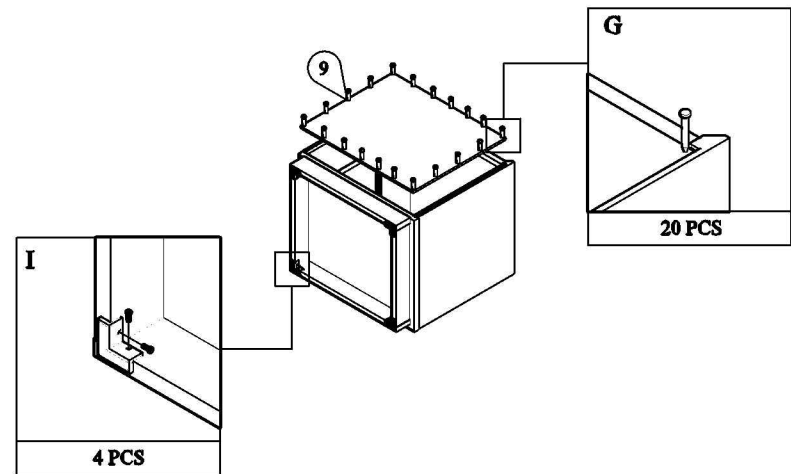
**STEP 6**



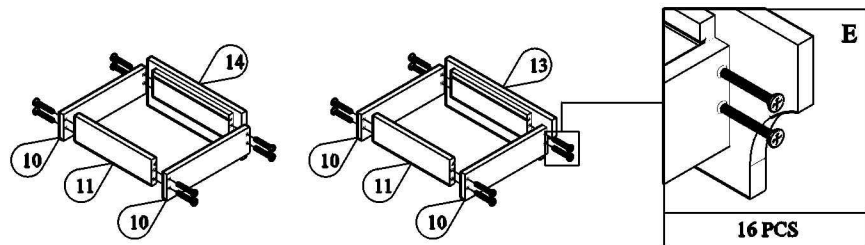
**STEP 7**



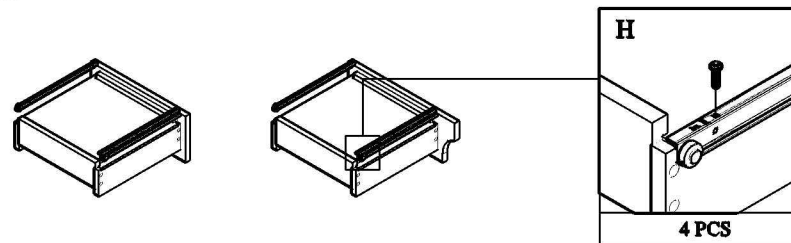
**STEP 8**



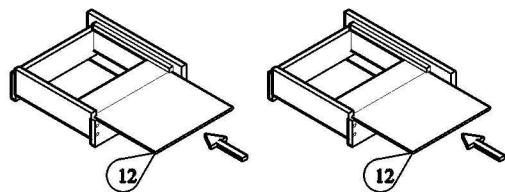
**STEP 9**



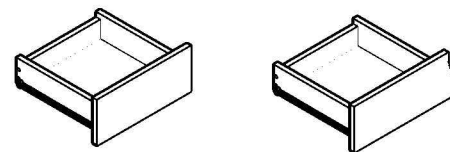
**STEP 11**



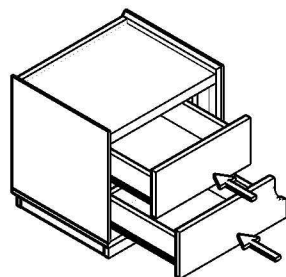
**STEP 10**



**COMPLETED DRAWER (2 SETS)**



**STEP 12**



**COMPLETED**

