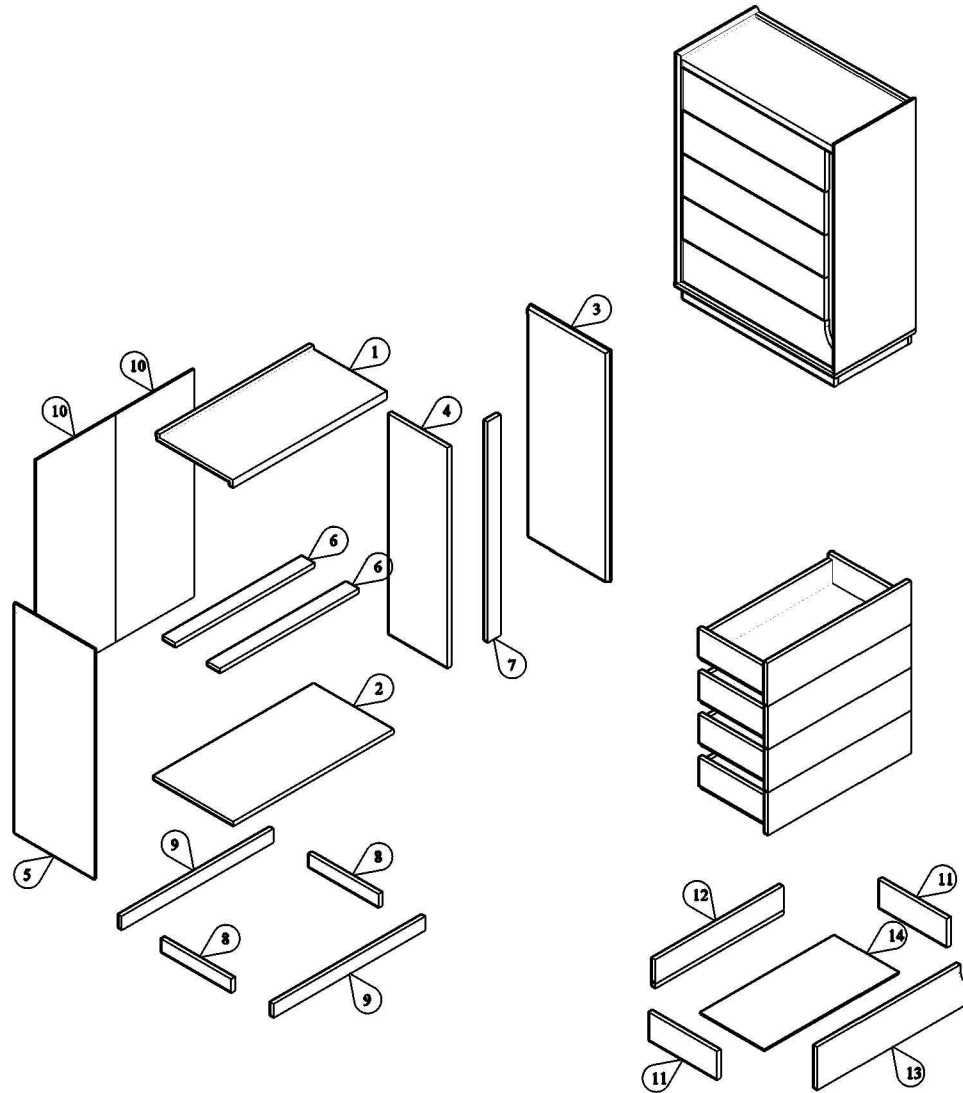











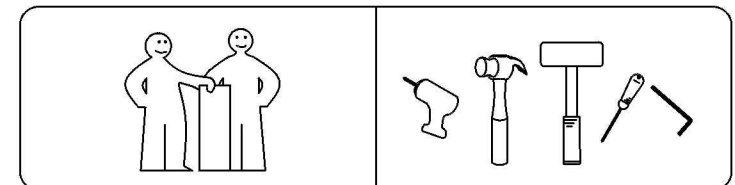
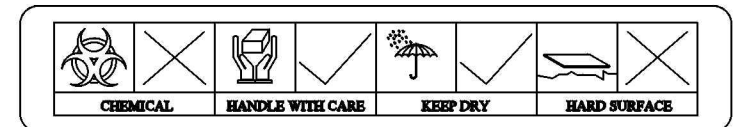


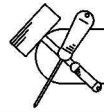
MODEL : YC COD 00906-US

PANEL POSITION



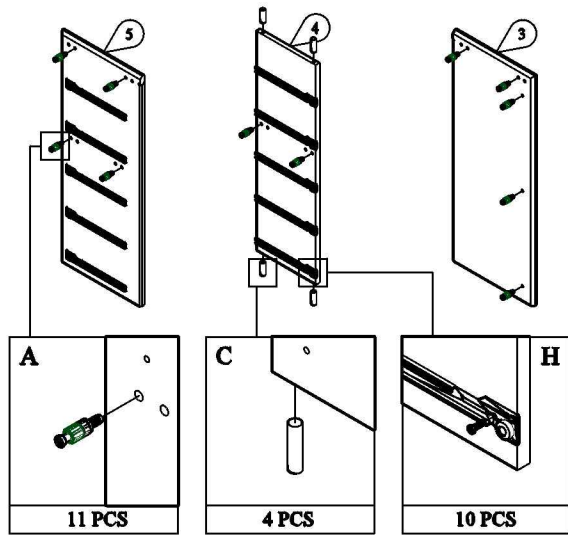
	ACCESSORIES	QUANTITY
A	 MINIFIX M5x24MM	11 PCS
B	 MINIFIX CASING	11 PCS
C	 WOOD DOWEL M8x30MM	25 PCS
D	 SCREW M6x50MM	4 PCS
E	 SCREW M4x65MM	6 PCS
F	 SCREW M4x38MM	40 PCS
G	 POWER PIN	35 PCS
H	 DRAWER SLIDE 14" SCREW M3.5x12MM	5 SETS 60 PCS
I	 L-SHAPE PVC LEG SCREW M3.5x16MM	4 PCS 8 PCS
J	 PVC "H" RAIL	1 PC
K	 ALLEN KEY	1 PC



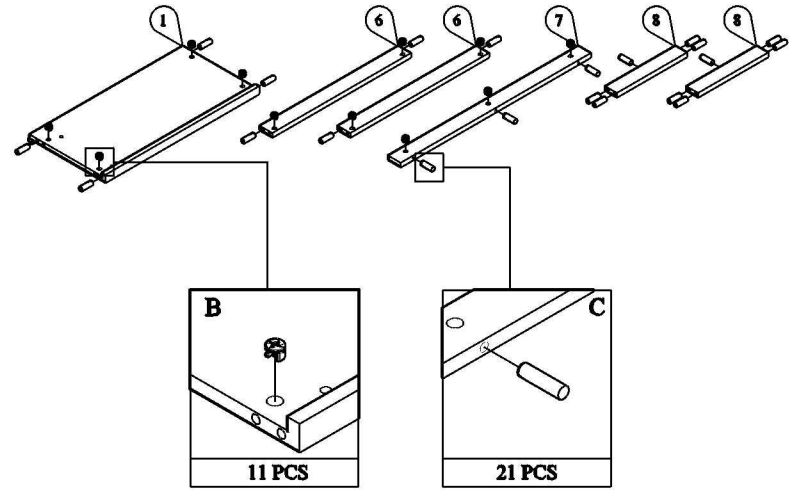


START ASSEMBLY

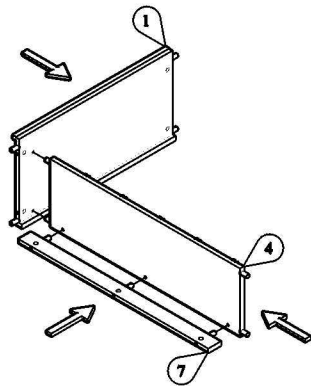
STEP 1



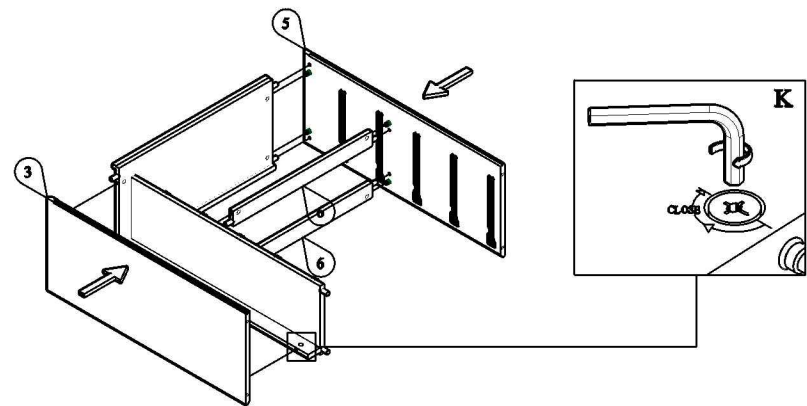
STEP 2



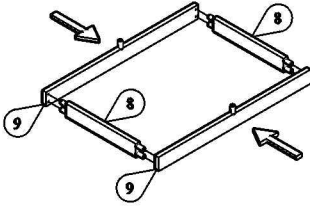
STEP 3



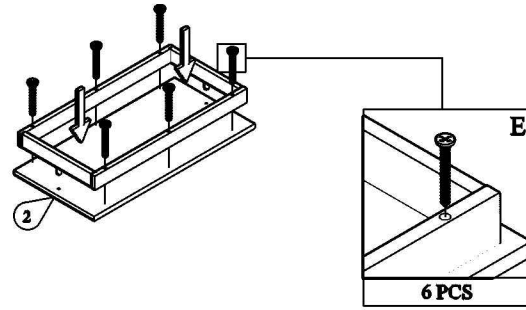
STEP 4



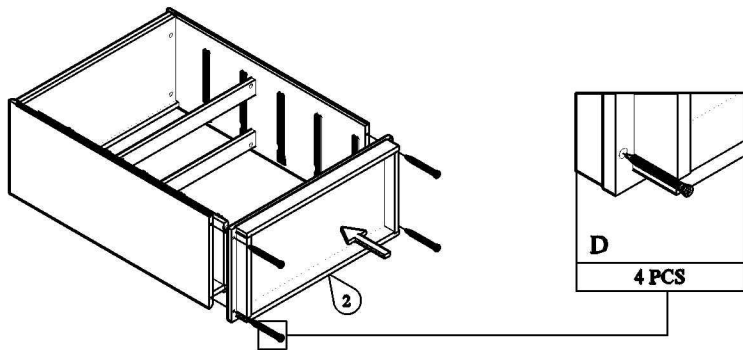
STEP 5



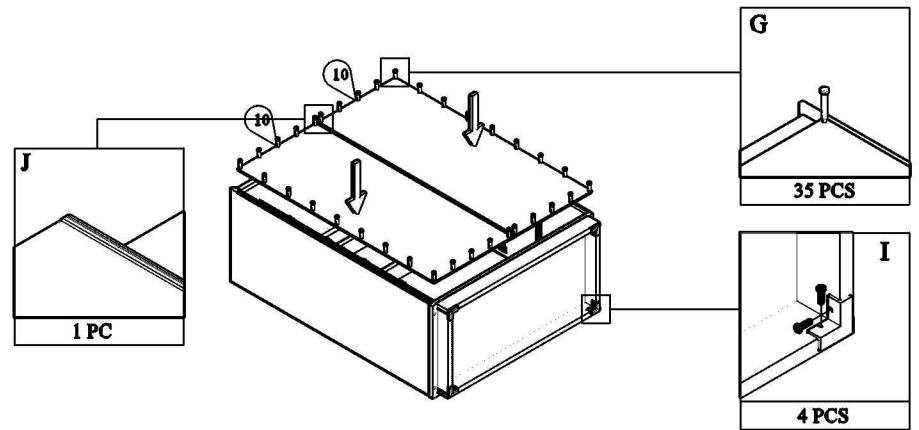
STEP 6



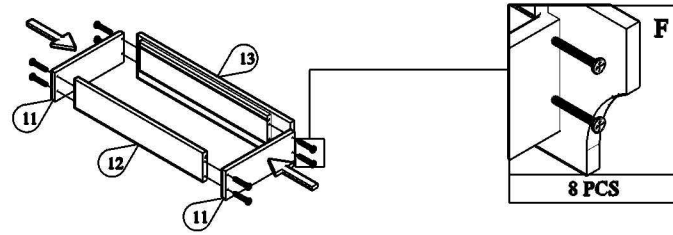
STEP 7



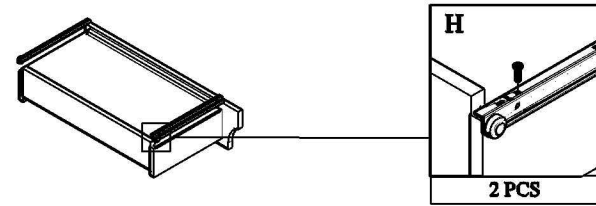
STEP 8



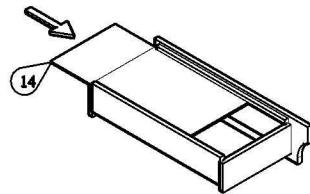
STEP 9 (DRAWER)



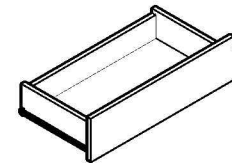
STEP 11 (DRAWER)



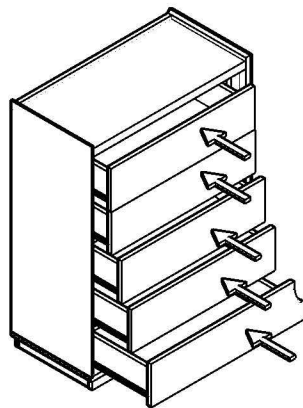
STEP 10 (DRAWER)



COMPLETED DRAWER (5 SETS)



STEP 12



COMPLETED

