

# ASSEMBLY INSTRUCTION

MODEL : WALNUT SUNBURST TABLE





Please read instructions carefully. Remove all wrapping material , staples and packing straps from the carton . Be sure you have all parts before you start assembling . Place all wooden furniture parts on a clean and flat soft surface , such as carpet or rug to prevent from being scratched .

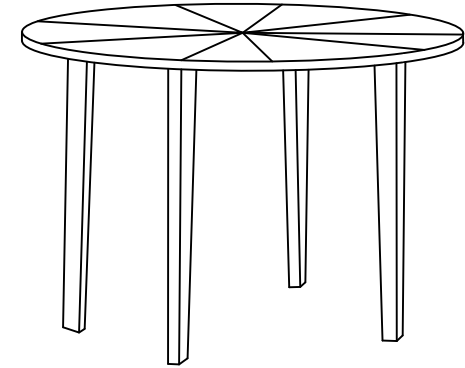
**CAUTION :** 1)DO NOT FULLY TIGHTEN THE NUTS OR SCREWS INITIALLY UNTILL ALL THE NUTS AND  
2)SCREWS ARE ASSEMBLED . TO AVOID CAUSING DAMAGE TO THE TREAD , DO NOT OVER-TIGHTEN  
THE NUTS OR SCREWS .  
KEEP ALL HARDWARE PARTS OUT OF REACH OF CHILDREN .

## PARTS LIST

NO	DESCRIPTION	QTY
A	TABLE TOP	1
B	LEG	4

## HARDWARE LIST

NO	DESCRIPTION	QTY
1	JCBC BOLT M8 x 60mm 	8
2	SPRING WASHER M8 	8
3	FLAT WASHER M8 x 22mm 	8
4	ALLEN KEY M4 x 110mm 	1



## STEP 1

