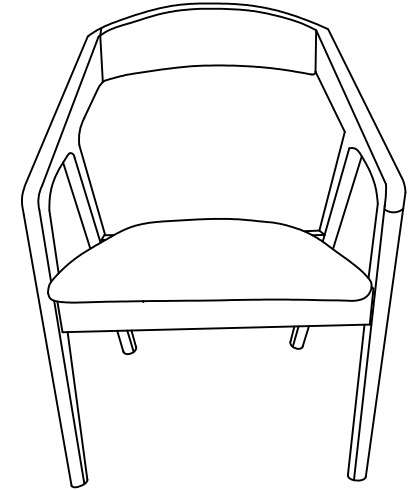


# ASSEMBLY INSTRUCTION

MODEL : WALNUT SUNBURST CHAIR

Please read instructions carefully. Remove all wrapping material , staples and packing straps from the carton .Be sure you have all parts before you start assembling . Place all wooden furniture parts on a clean and flat soft surface , such as carpet or rug to prevent from being scratched .








**CAUTION :** 1)DO NOT FULLY TIGHTEN THE NUTS OR SCREWS INITIALLY UNTILL ALL THE NUTS AND 2)SCREWS ARE ASSEMBLED . TO AVOID CAUSING DAMAGE TO THE TREAD , DO NOT OVER-TIGHTEN THE NUTS OR SCREWS .  
KEEP ALL HARDWARE PARTS OUT OF REACH OF CHILDREN .



## PARTS LIST

NO	DESCRIPTION	QTY
A	FRAME LEG (L&R)	2
B	BACK REST	1
C	FRONT APRON	1
D	BACK APRON	1
E	SEAT SUPPORT	2
F	CUSHION	1

## HARDWARE LIST

NO	DESCRIPTION	QTY
1	JCBB BOLT M8 x 50mm 	2
2	JCBC BOLT M6 x 50mm 	8
3	SPRING WASHER M8 	2
4	SPRING WASHER M6 	8
5	ALLEN KEY M5 x 60mm 	1
6	ALLEN KEY M4 x 110mm 	1
7	CSK-CB SCREW M4 x 32mm 	10

