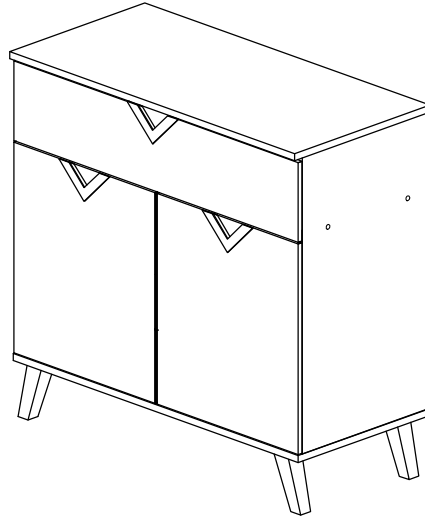
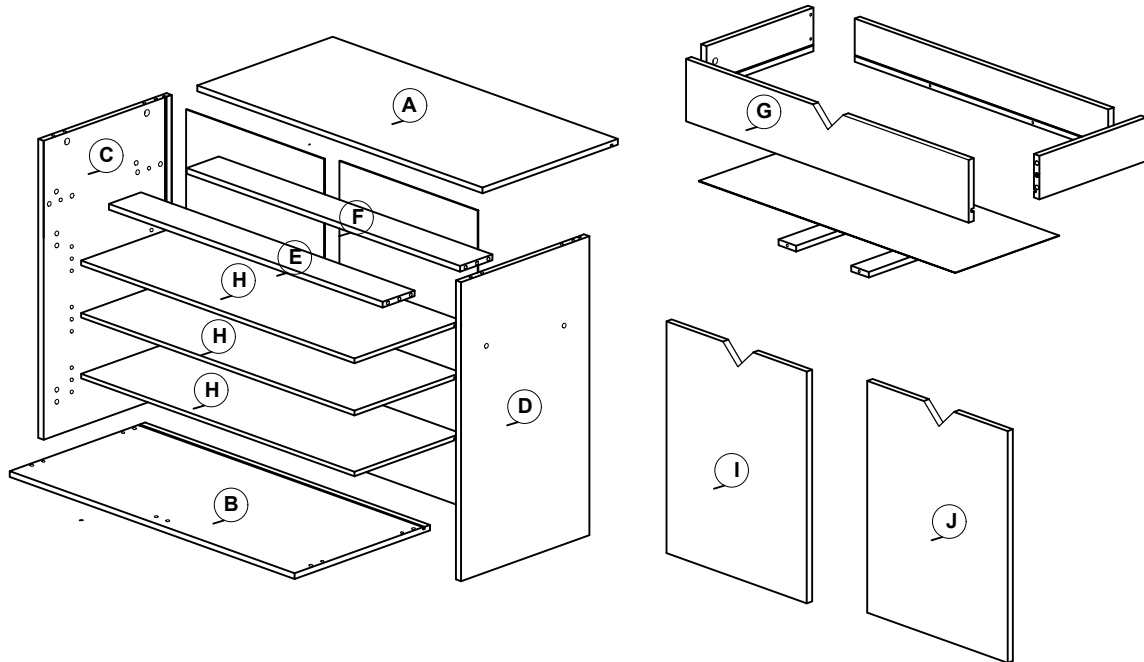


Assembly Instruction

Model : WI8103






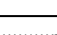






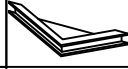





Part List



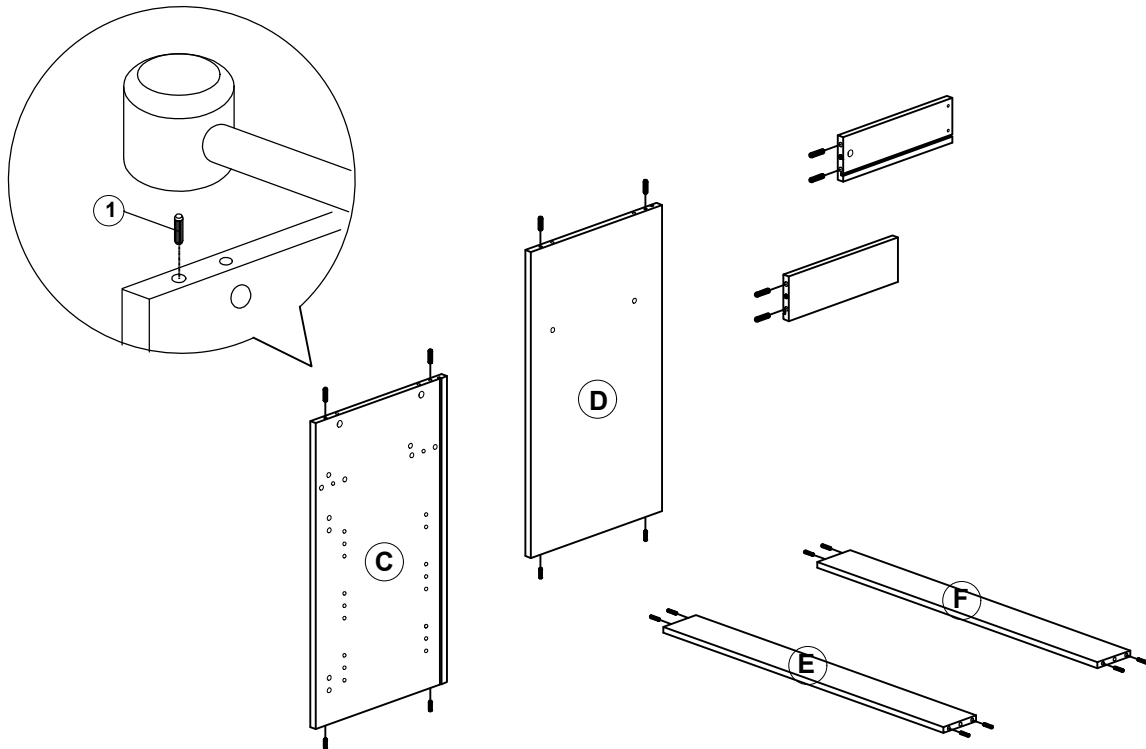
Assembly Instruction

Hardware List

No.	SHAPE	DESCRIPTION	Qty.
1		8x25mm Wood Dowel	20Pcs
2		15mm Myfix Minifix	8Sets
3		M3x16mm Screw	4Pcs
4		M3.5x15mm Screw	29Pcs
5		M5x8mm Screw (Euro Screw)	4Pcs
6		M4x38mm Scev	6Pcs
7		M5x38mm Scev	8Pcs
8		15mm Minifix Cap	2Pcs

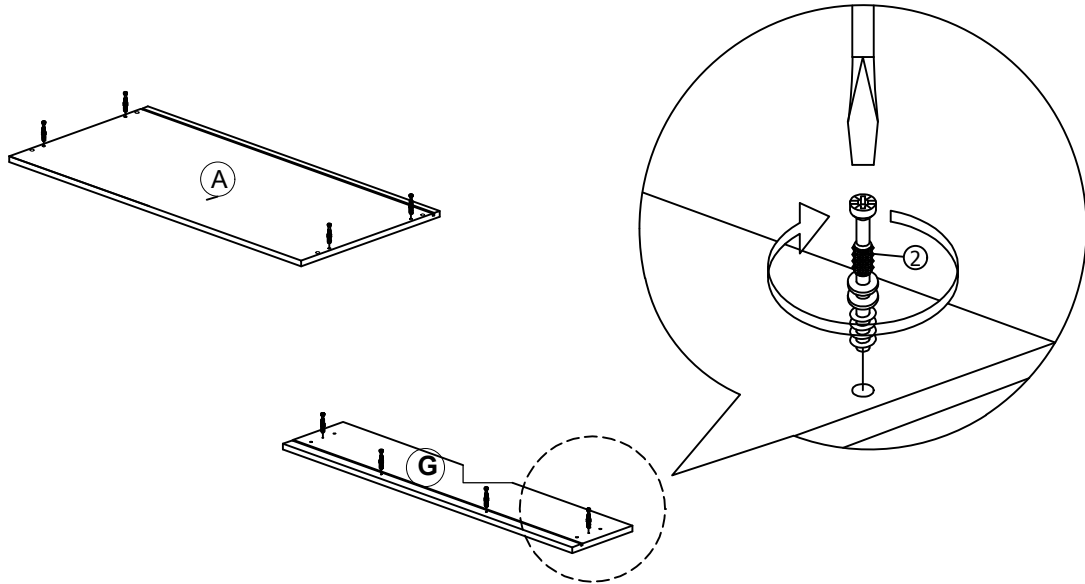
9		Z Bracket (Big)	2Pcs
10		Metal Drawer Slide 12" (300mm)	1Set
11		OS-V Handle	3Pcs
12		OS-140mm Long Tapper Leg	4Pcs
13		Hinges (FO11)	4Sets
14		2 Pin Stopper	1Pc
15		Shelf Support	12Pcs
16		TP 10#x5/8" Screw	16Pcs

Step 1

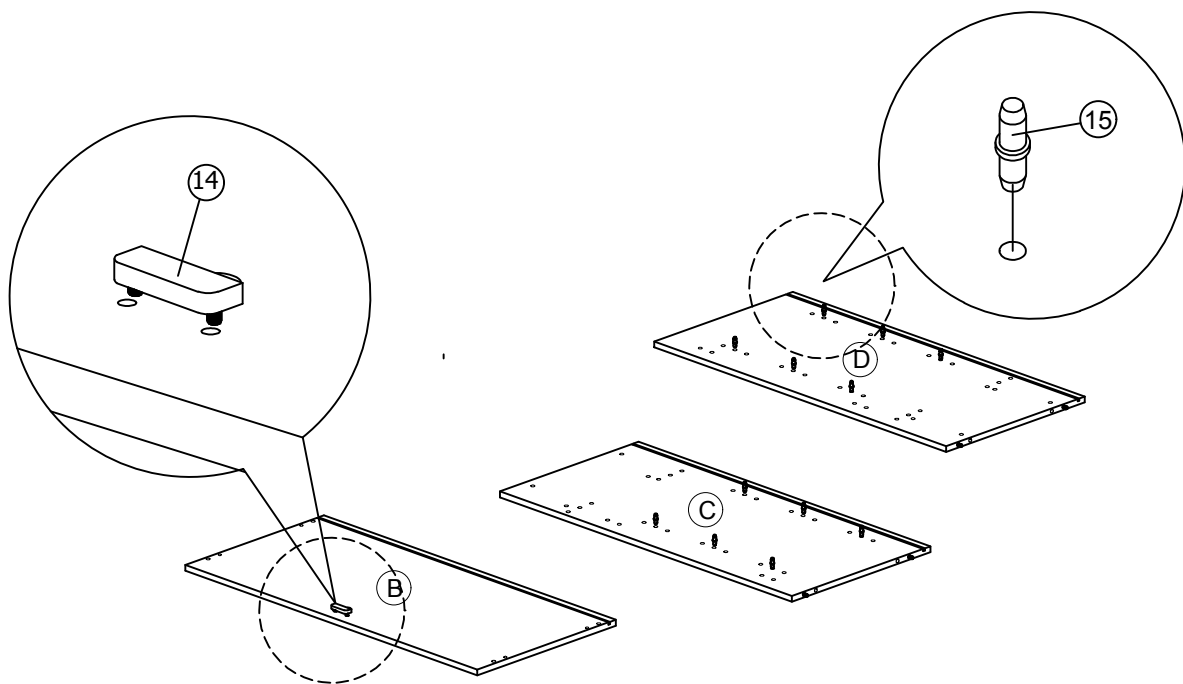


Assembly Instruction

Step 2

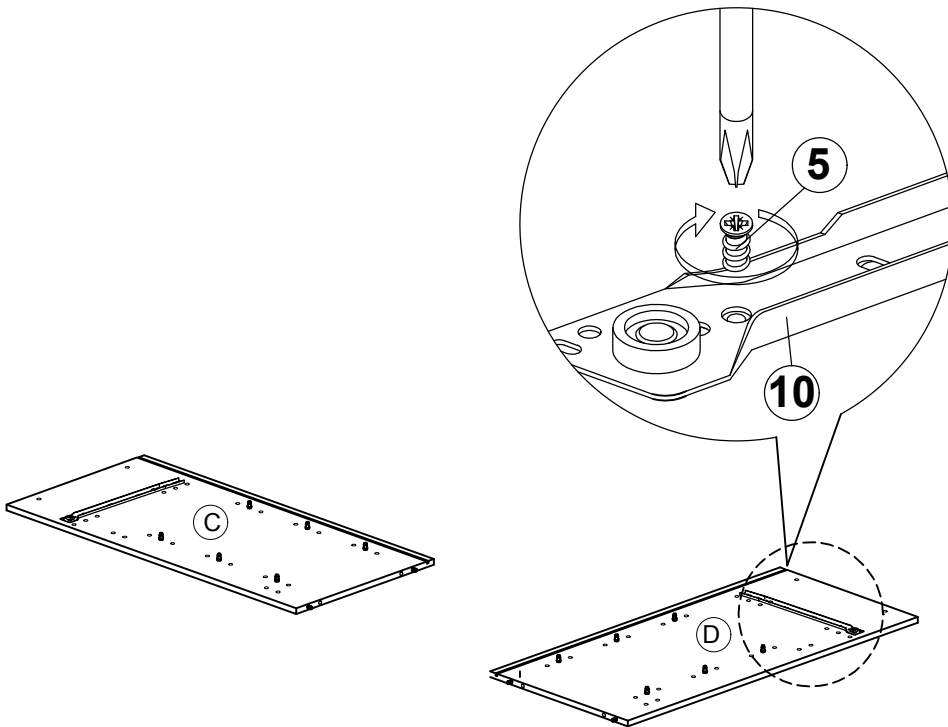


Step 3

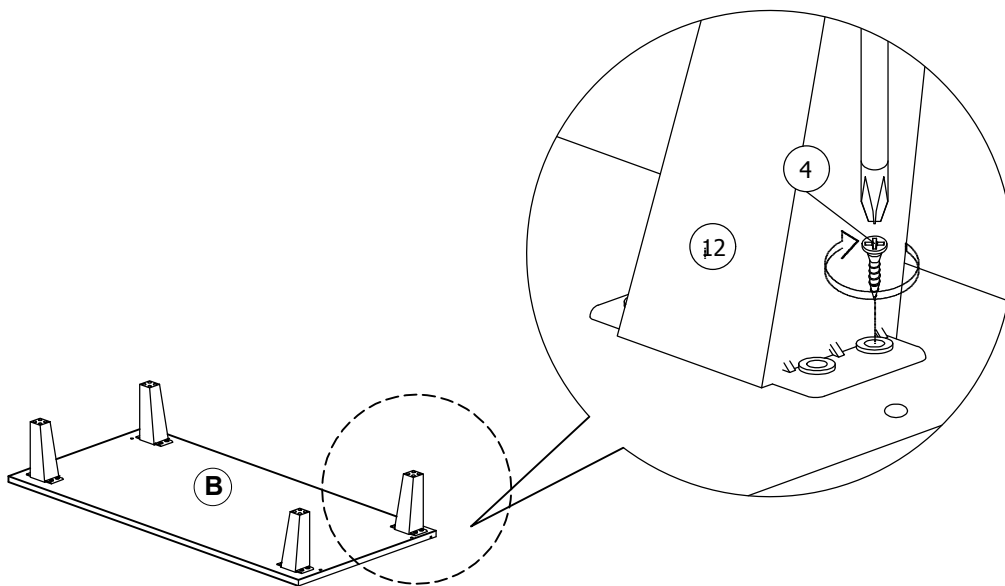


Assembly Instruction

Step 4

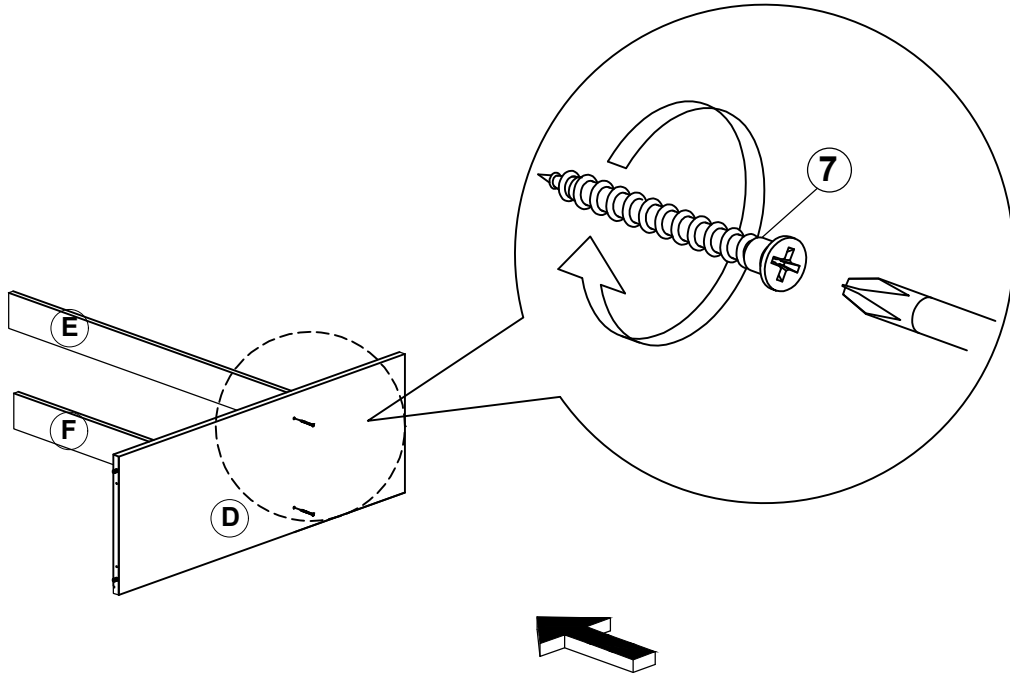


Step 5

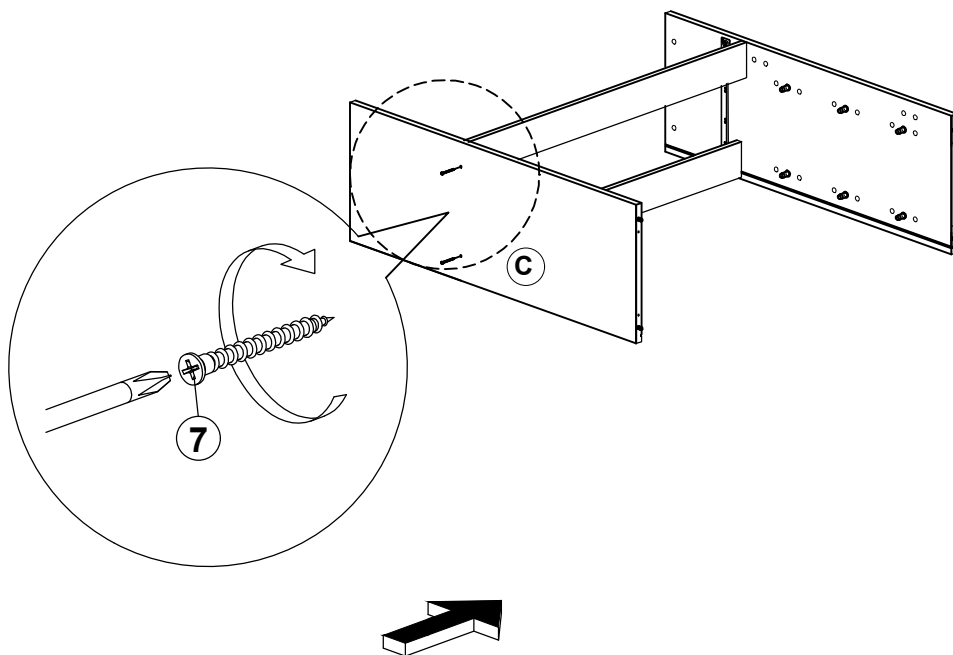


Assembly Instruction

Step 6

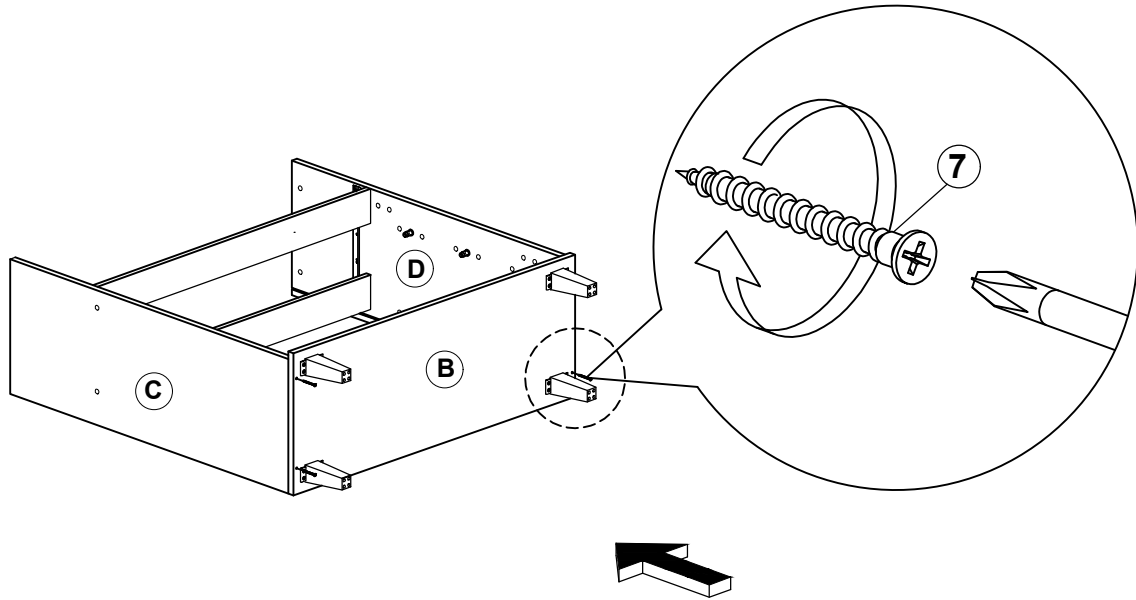


Step 7

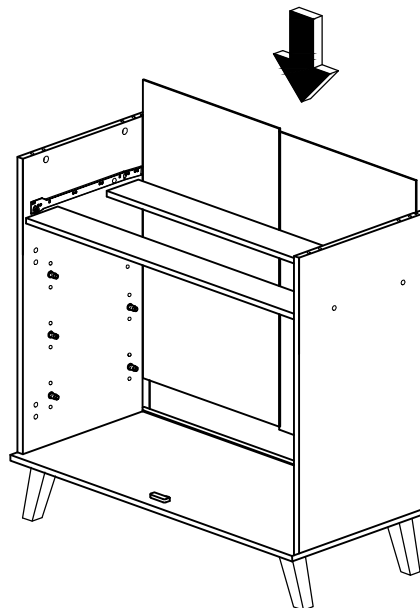


Assembly Instruction

Step 8

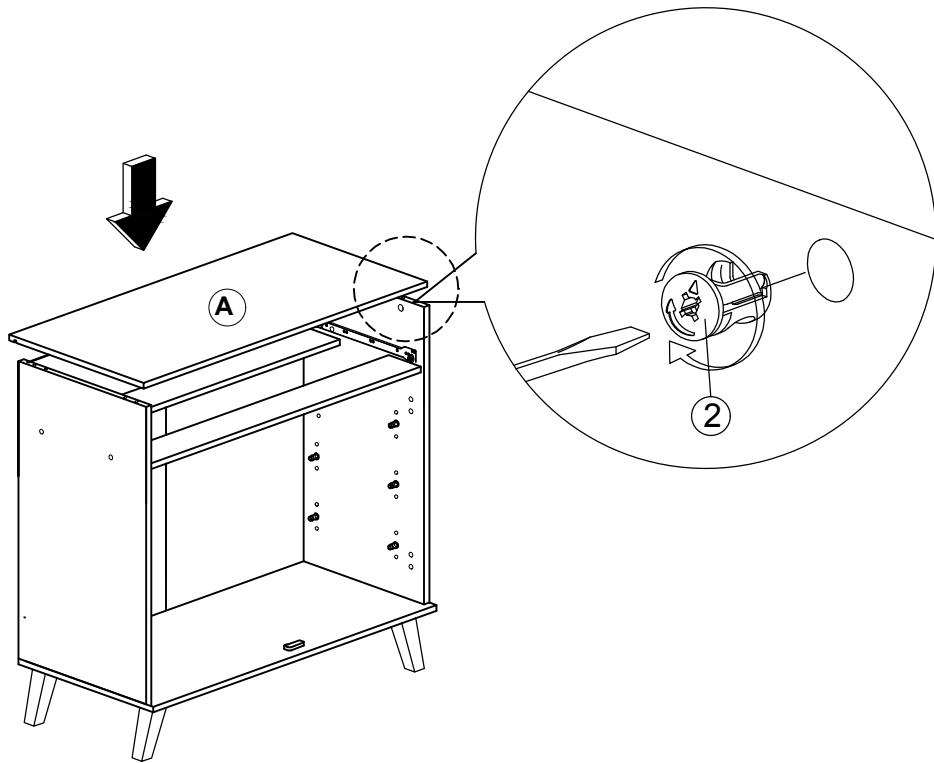


Step 9

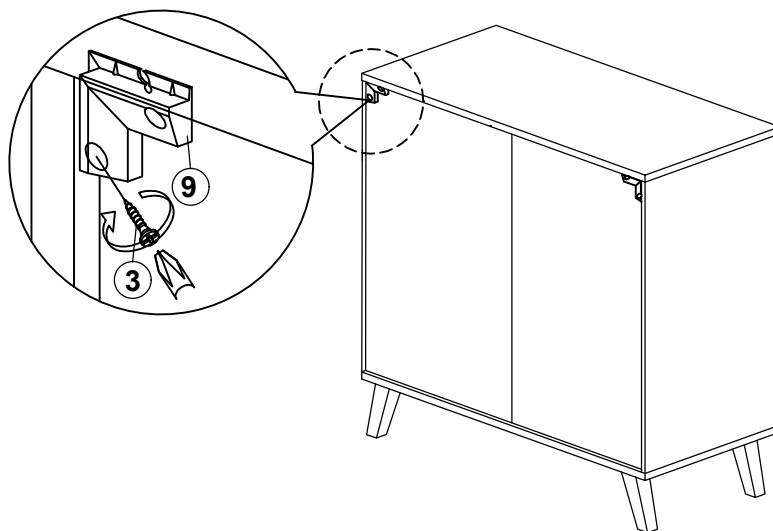


Assembly Instruction

Step 10

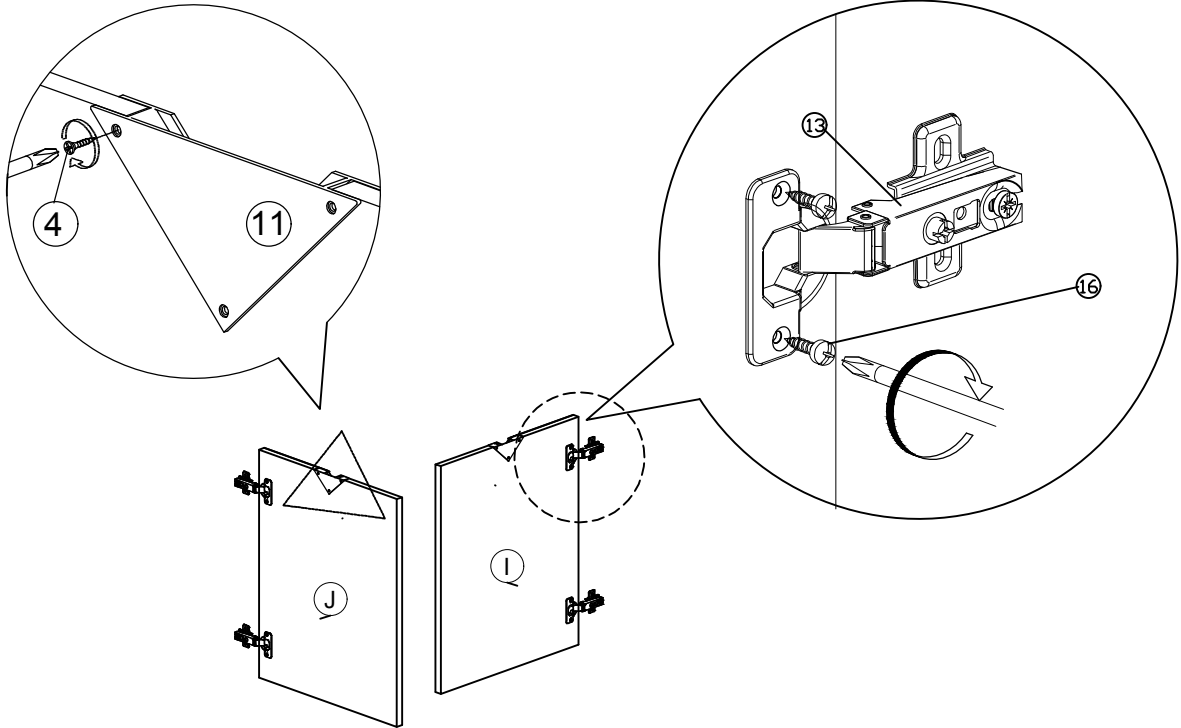


Step 11

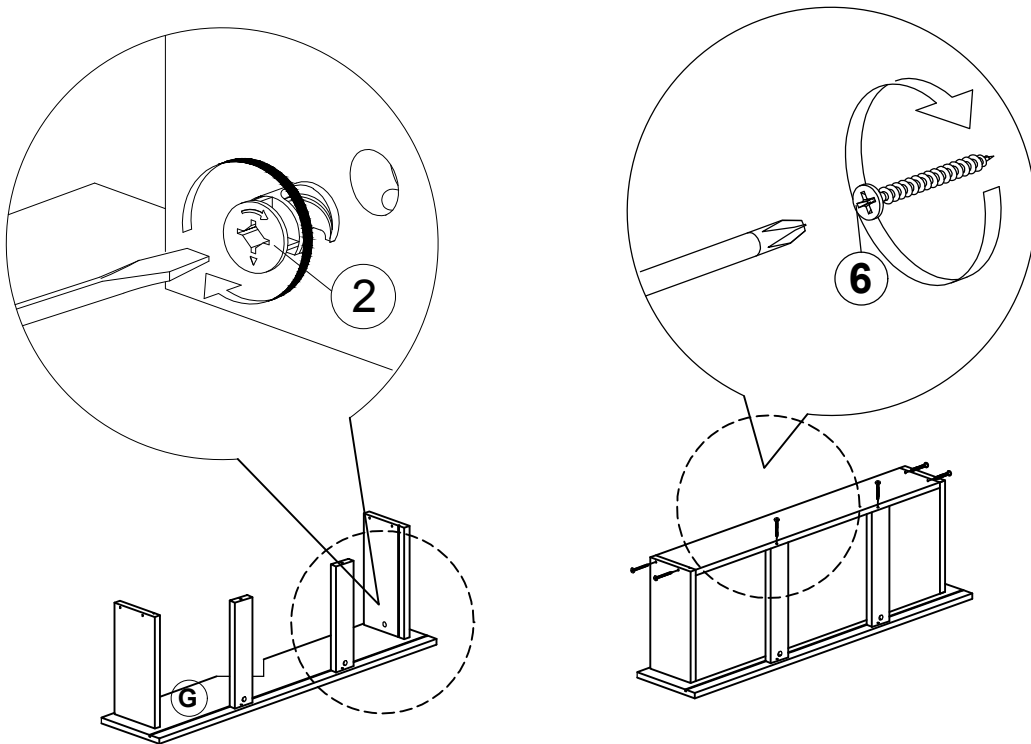


Assembly Instruction

Step 12

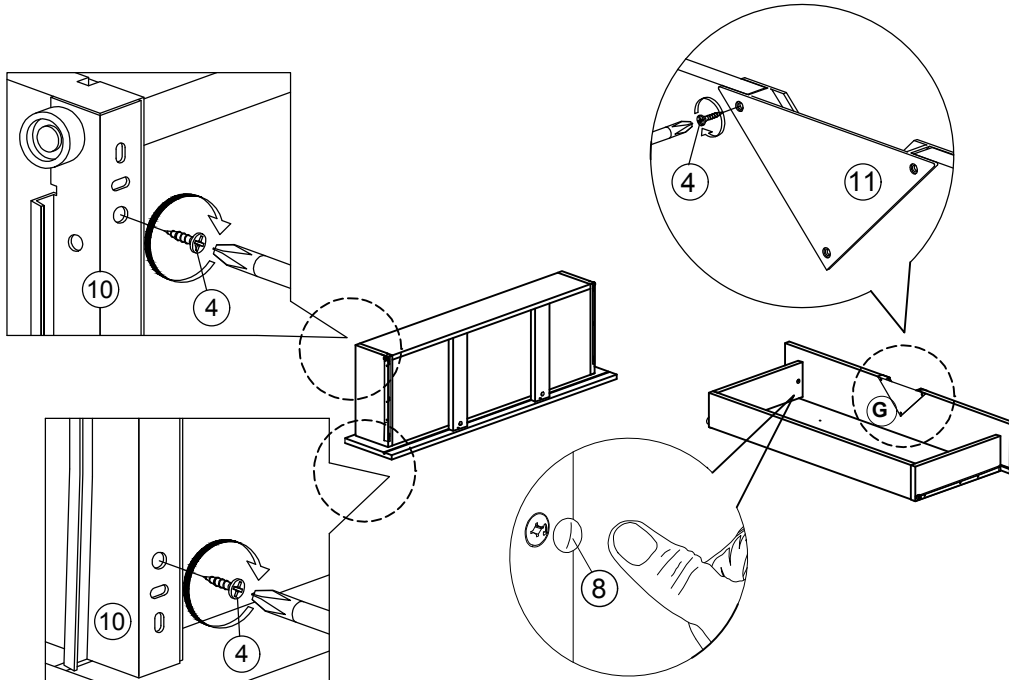


Step 13



Assembly Instruction

Step 14



Step 15

