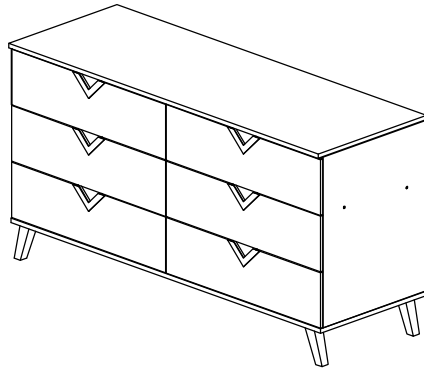
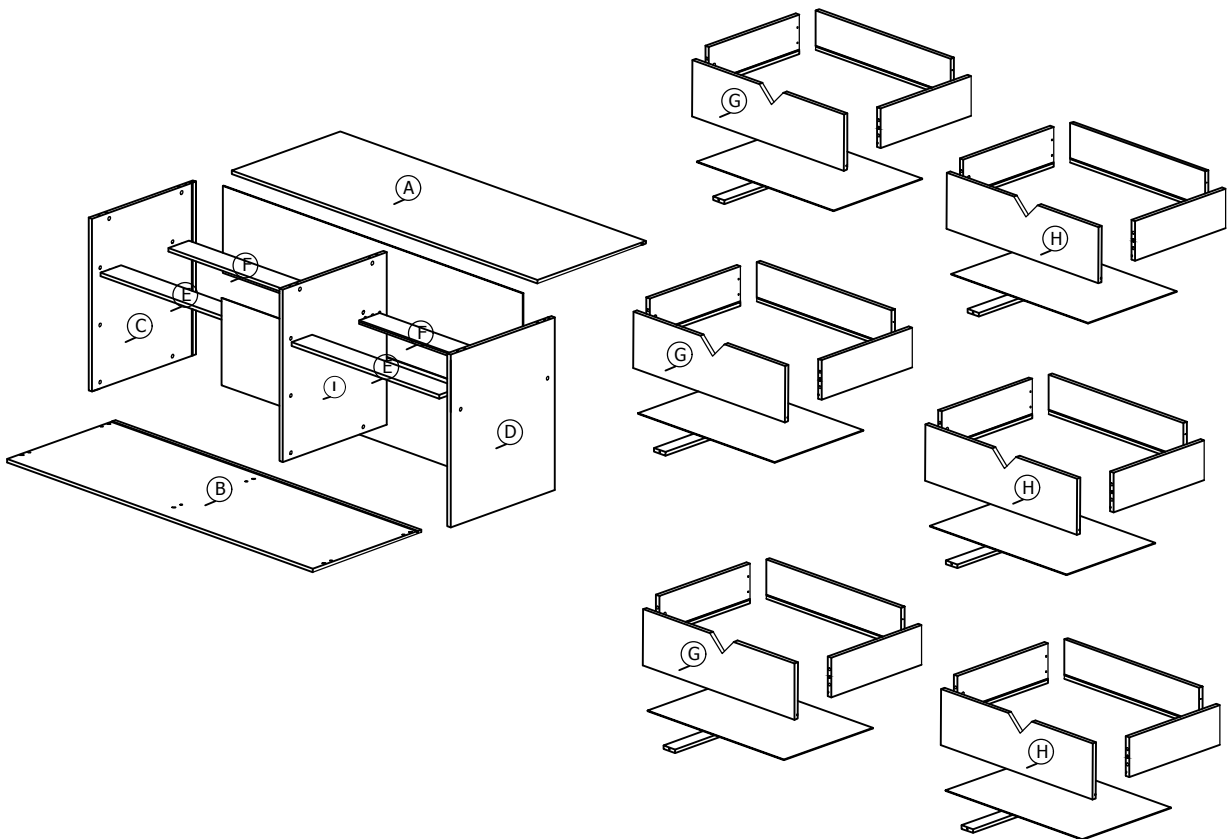


Assembly Instruction

Model : WI8105



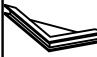

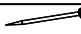


Part List

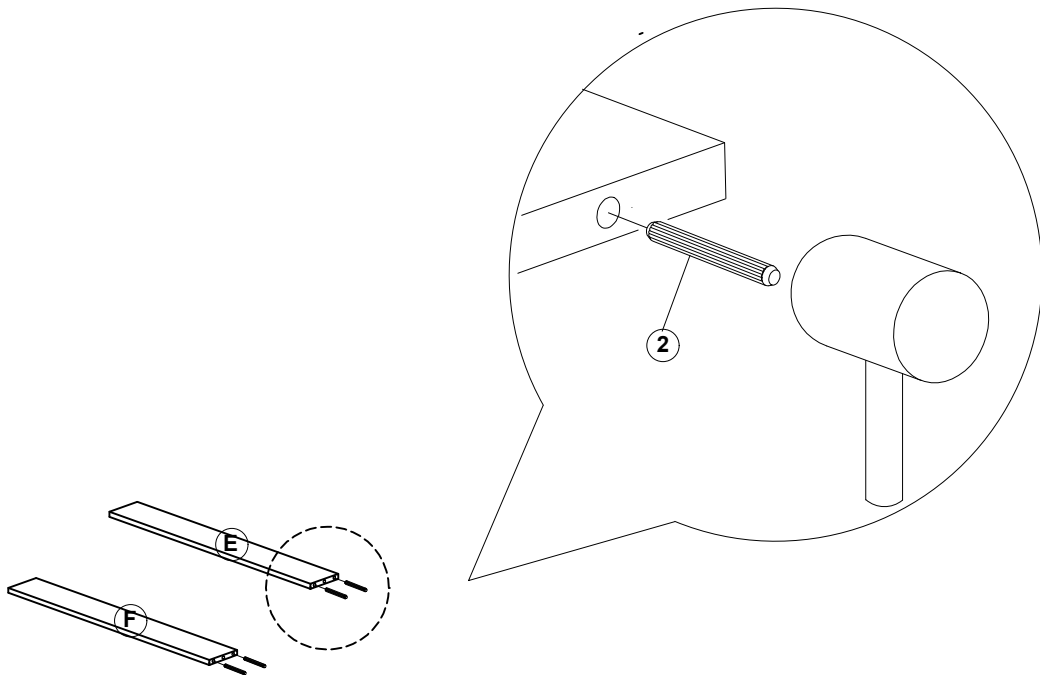


Assembly Instruction

<i>Hardware List</i>			
No.	SHAPE	DESCRIPTION	Qty.
1		8x25mm Wood Dowel	44Pcs
2		8x50mm Wood Dowel	4Pcs
3		15mm Myfix Minifix	24Pcs
4		M3x16mm Screw	4Pcs
5		M3.5x15mm Screw	62Pcs
6		M5x8mm Screw (Euro Screw)	24Pcs
7		M4x38mm Screw	30Pcs
8		M5x38mm Screw	10Pcs
9		15mm Minifix Cap	12Pcs

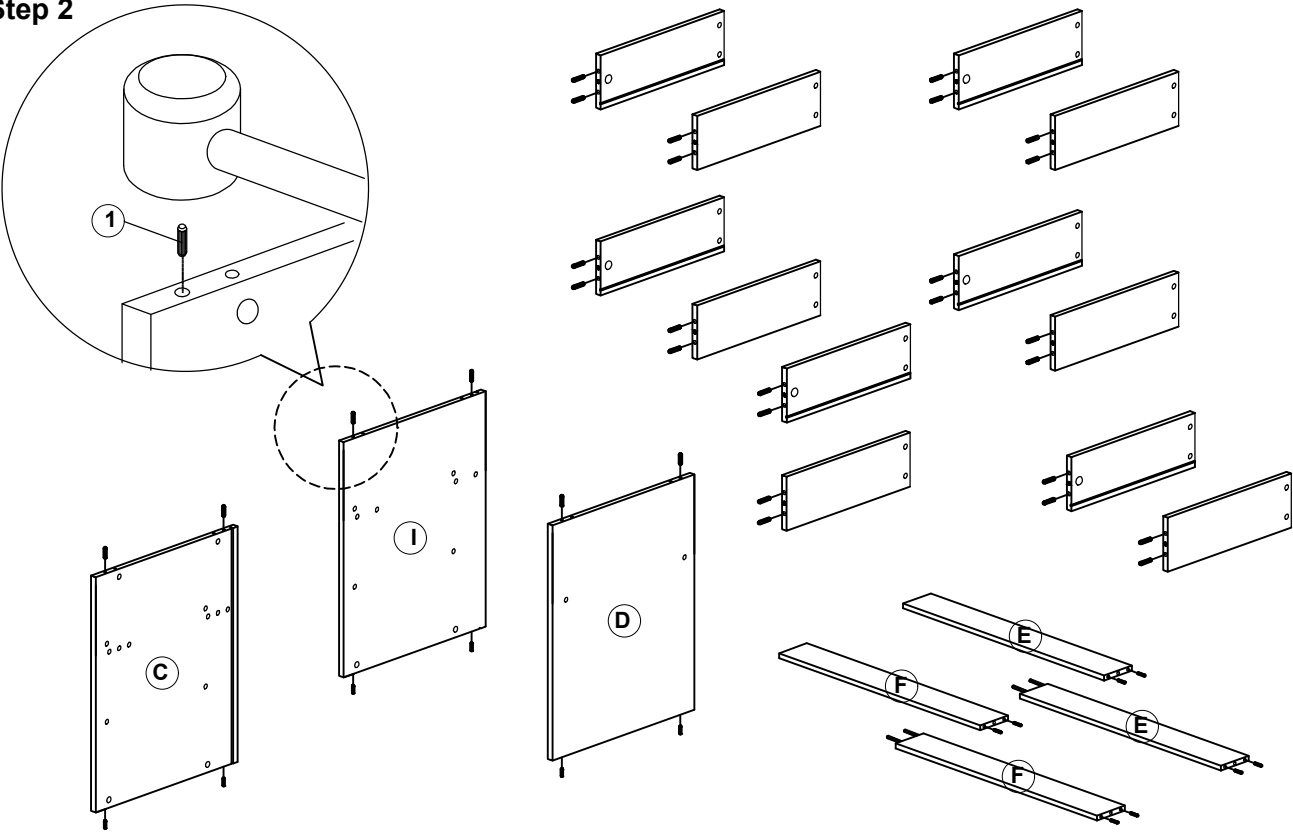
10		Z Bracket (Big)	2Pcs
11		Metal Drawer Slide 16" (400mm)	6Pcs
12		OS-V Handle	6Pcs
13		OS-140mm Long Tapper Leg	5Pcs
14		Nail	4Pcs

Step 1

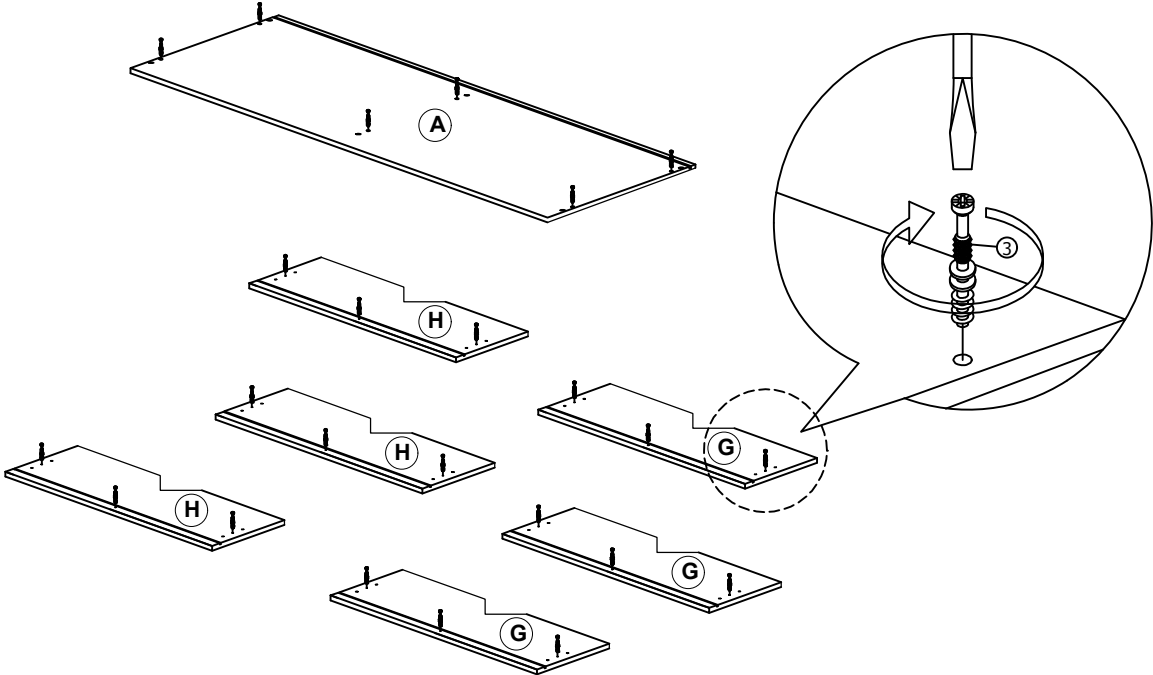


Assembly Instruction

Step 2

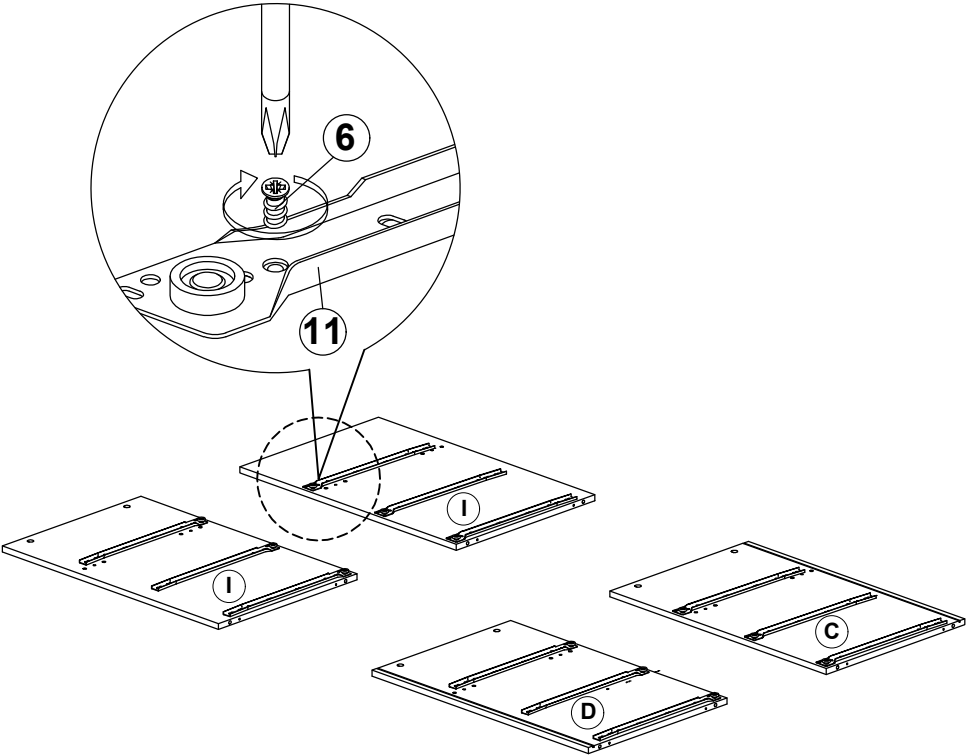


Step 3

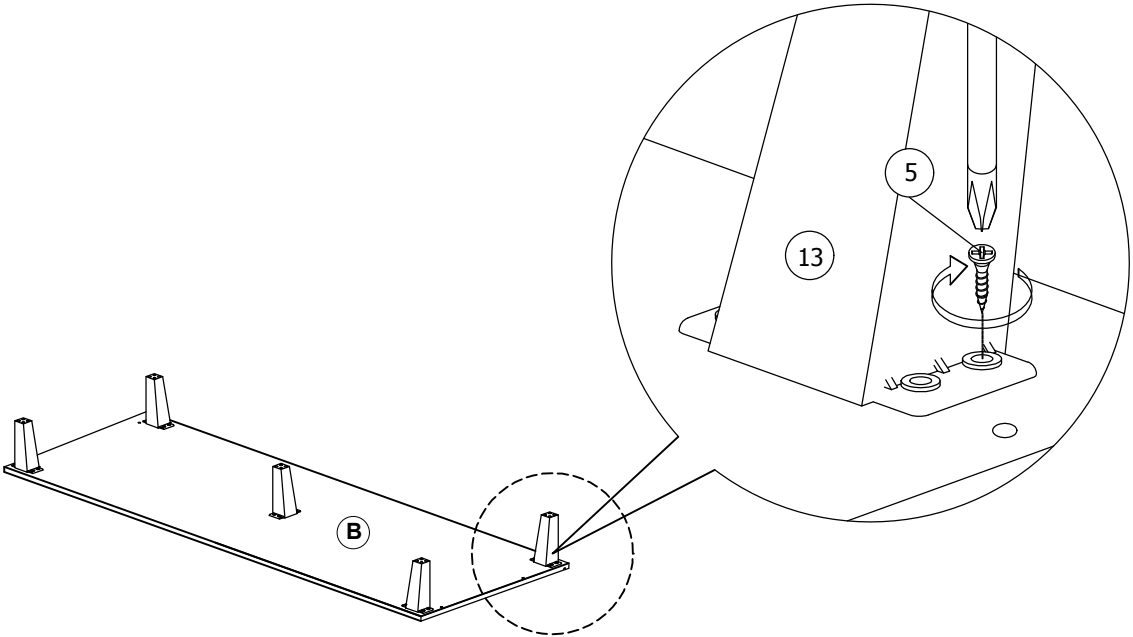


Assembly Instruction

Step 4

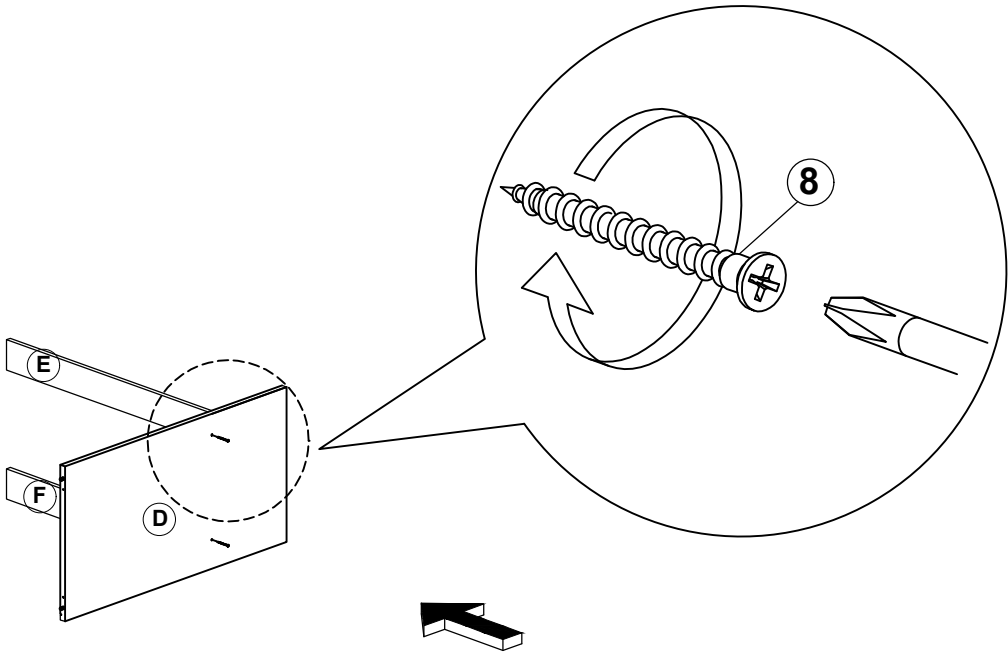


Step 5

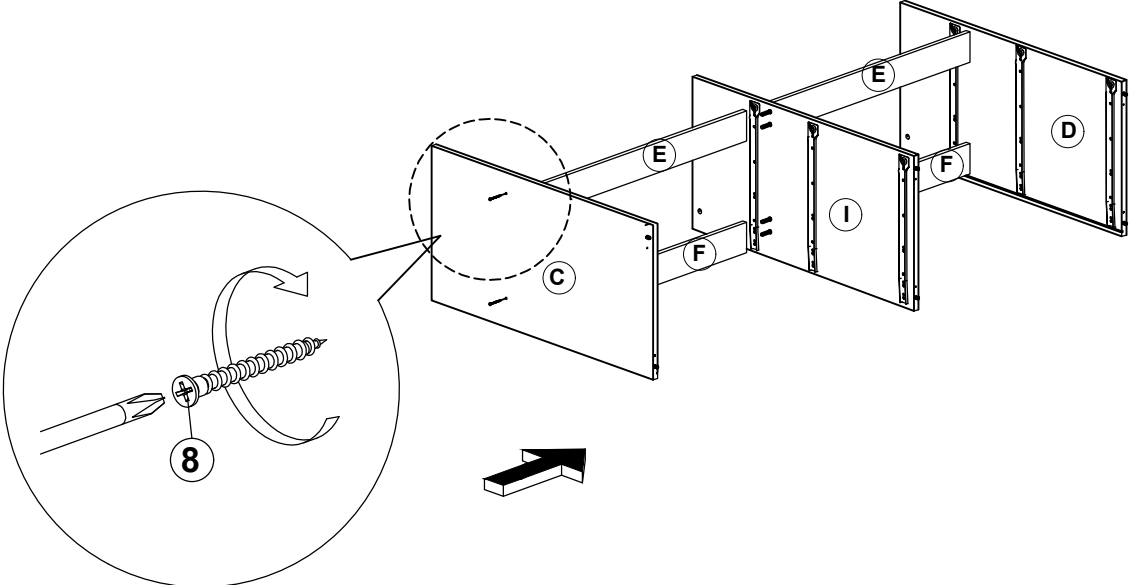


Assembly Instruction

Step 6

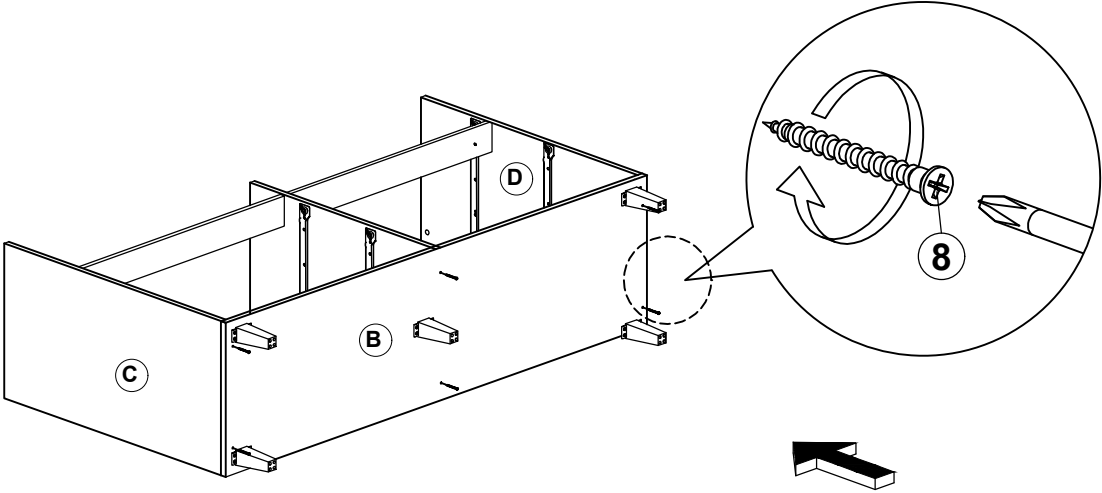


Step 7

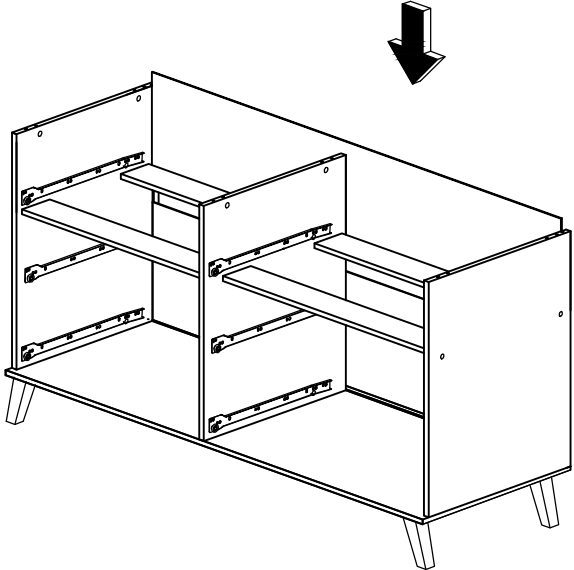


Assembly Instruction

Step 8

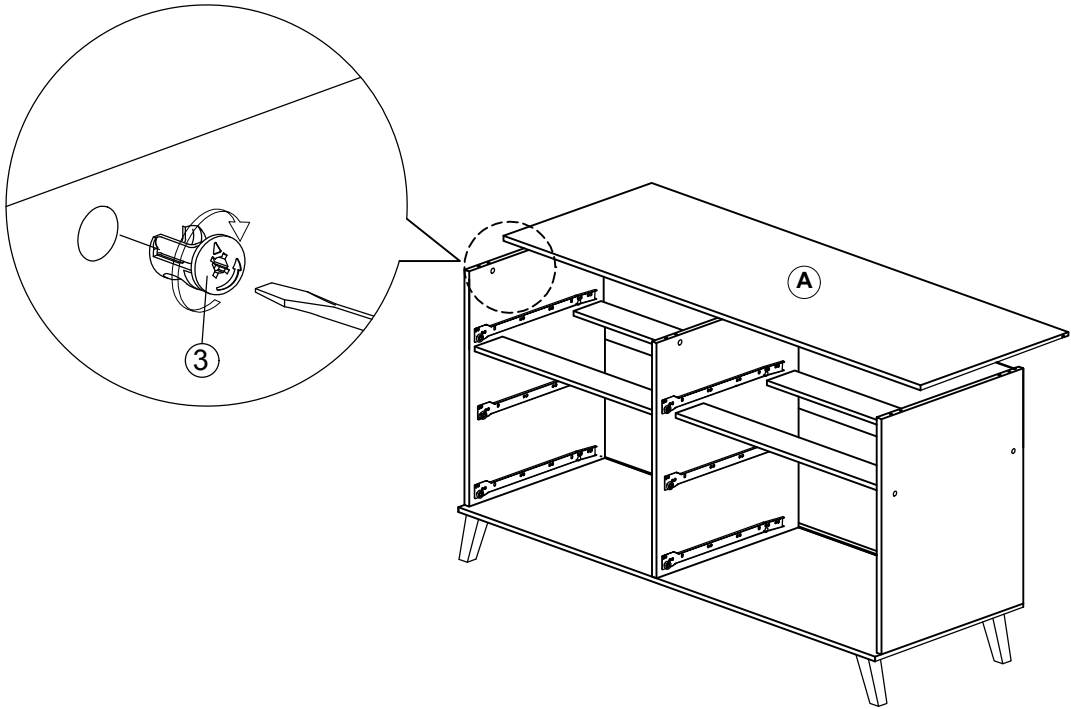


Step 9

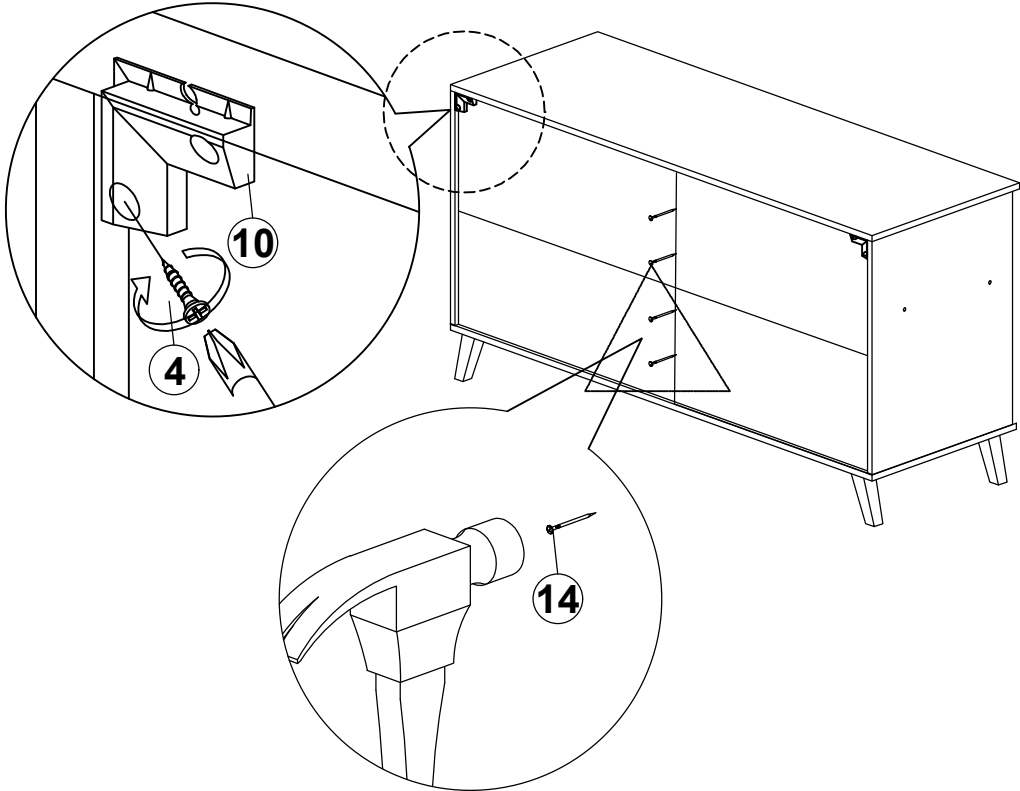


Assembly Instruction

Step 10

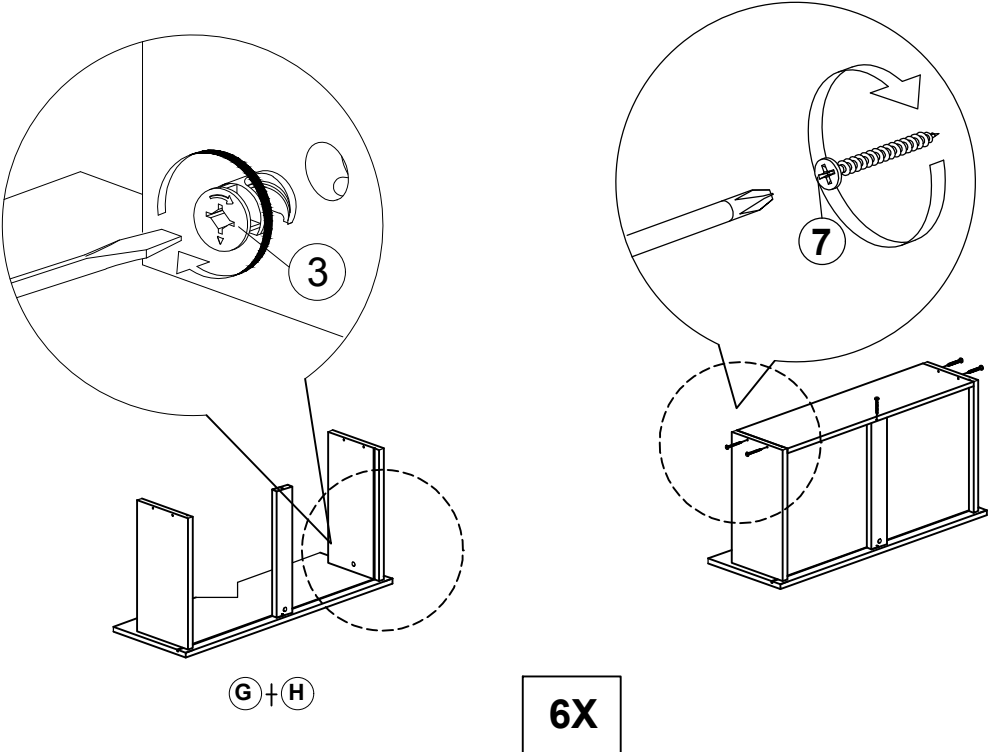


Step 11

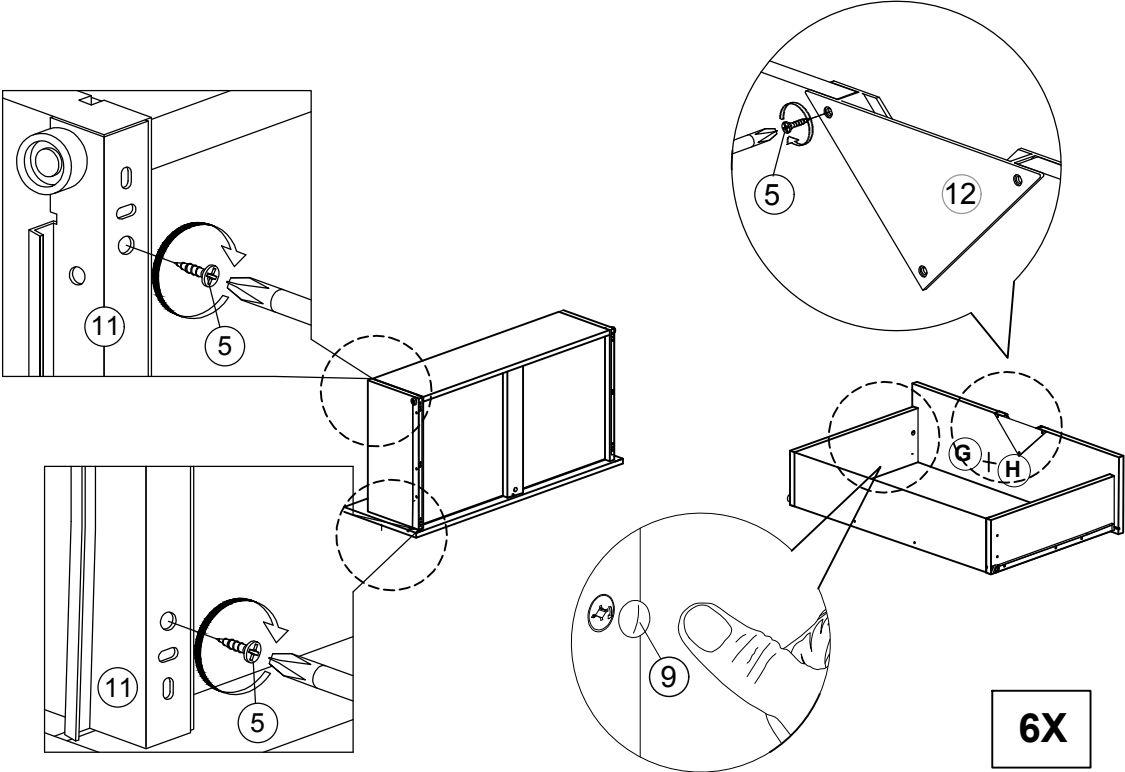


Assembly Instruction

Step 12

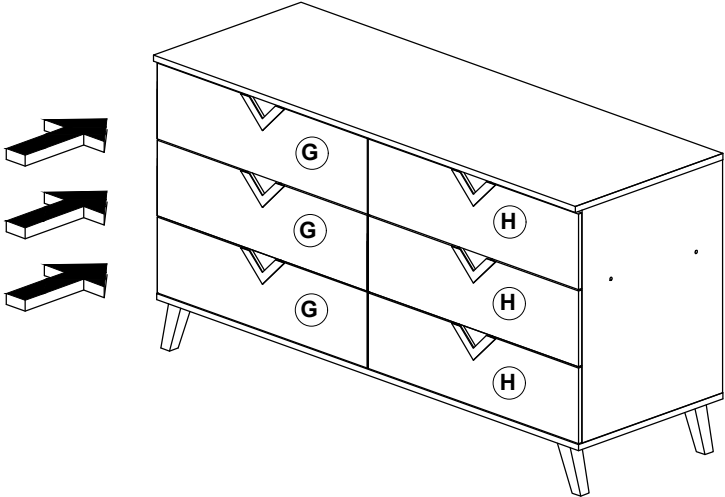


Step 13



Assembly Instruction

Step 14



Completed

