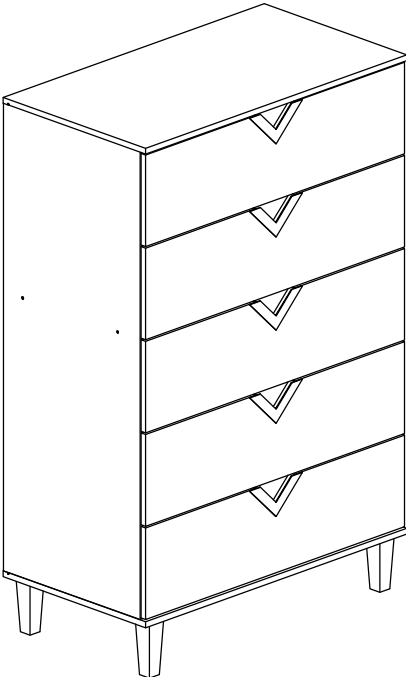
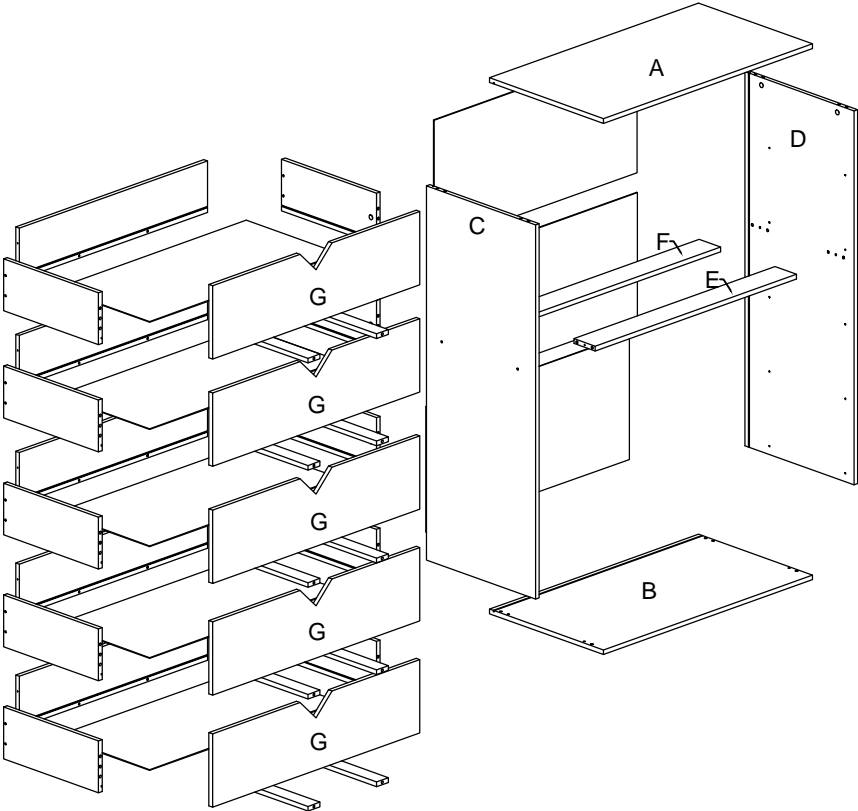


# Assembly Instruction







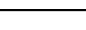



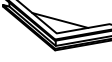

Model : WI8104



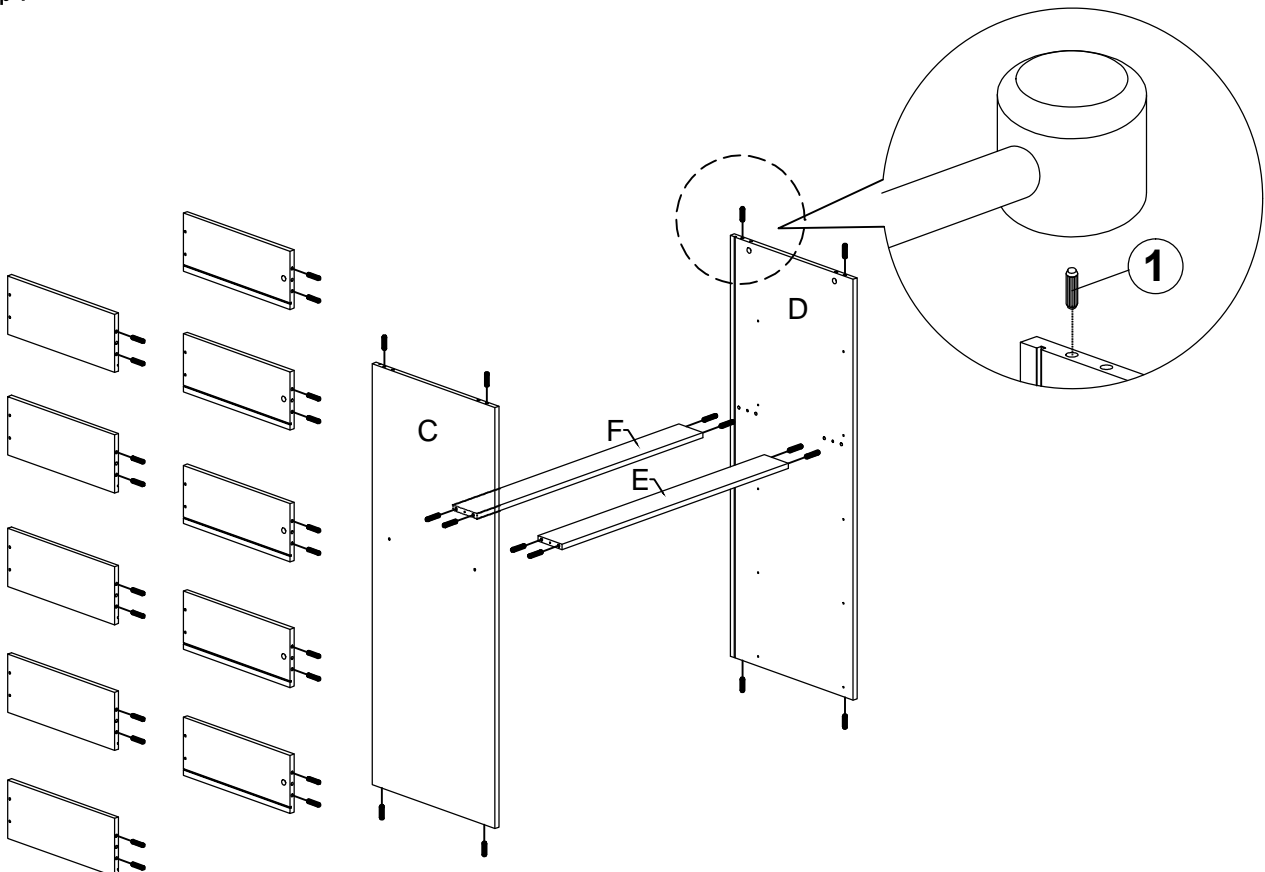
## Part List



# Assembly Instruction

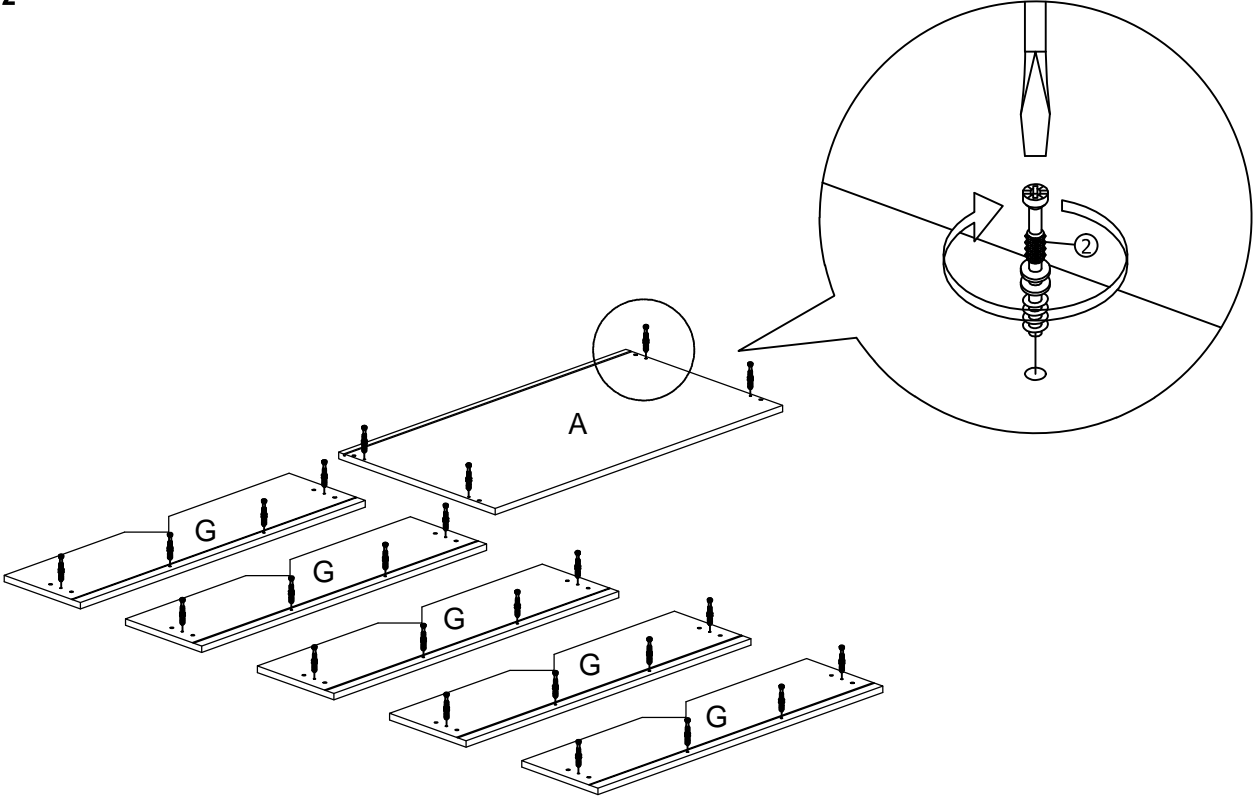
<i>Hardware List</i>			
No.	SHAPE	DESCRIPTION	Qty.
1		<b>8x25mm Wood Dowel</b>	36Pcs
2		<b>15MM Myfix Minifix</b>	24Sets
3		<b>M3x16mm Screw</b>	4Pcs
4		<b>M3.5x15mm Screw</b>	51Pcs
5		<b>M5x8mm Screw (Euro Screw)</b>	20Pcs
6		<b>M4x38mm Screw</b>	30Pcs
7		<b>M5x38mm Screw</b>	8Pcs
8		<b>15mm Minifix Cap</b>	10Pcs
9		<b>Z Bracket (Big)</b>	2Pcs
10		<b>Metal Drawer Slide 16" (400mm)</b>	5 Sets
11		<b>OS-V Handle</b>	5 Pcs
12		<b>OS-140mm Long Tapper Leg</b>	4 Pcs

## Step 1

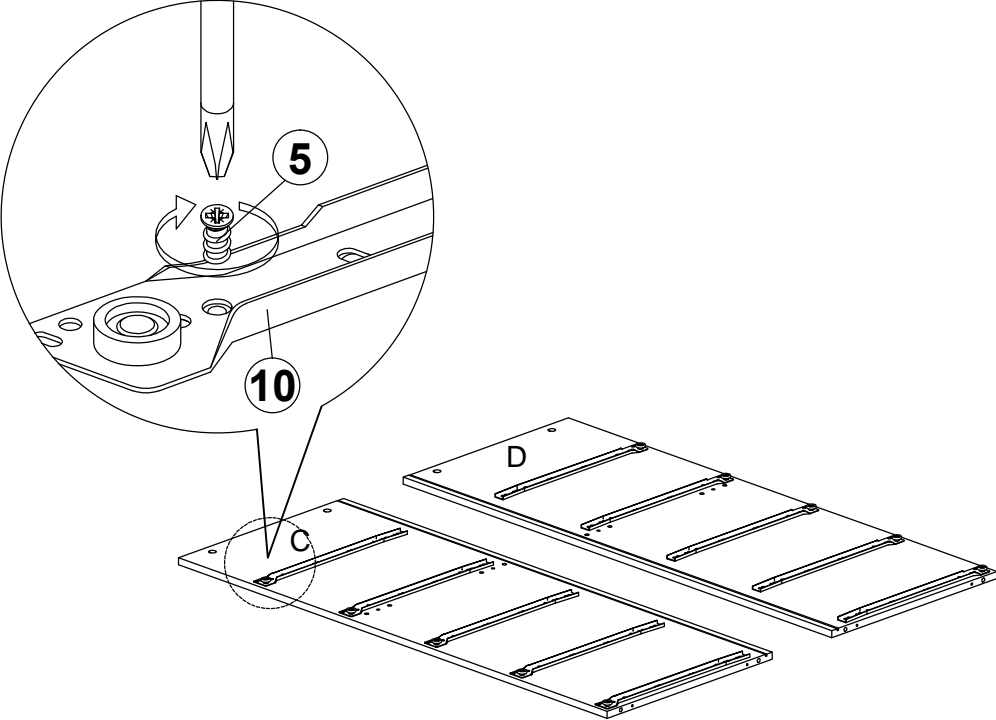


# Assembly Instruction

## Step 2

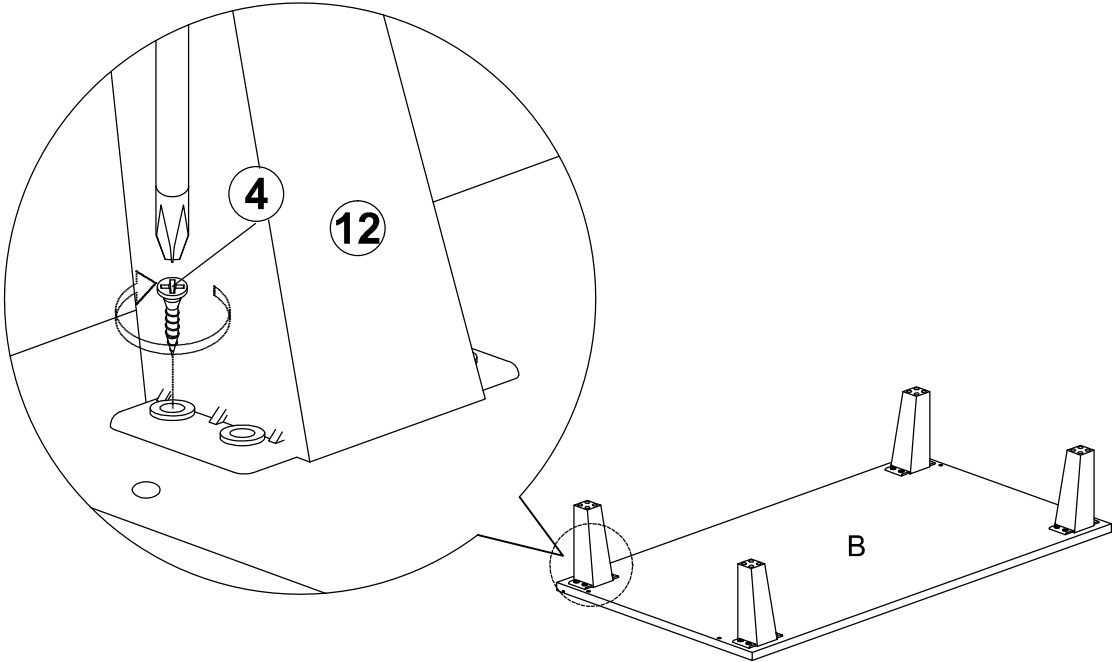


## Step 3

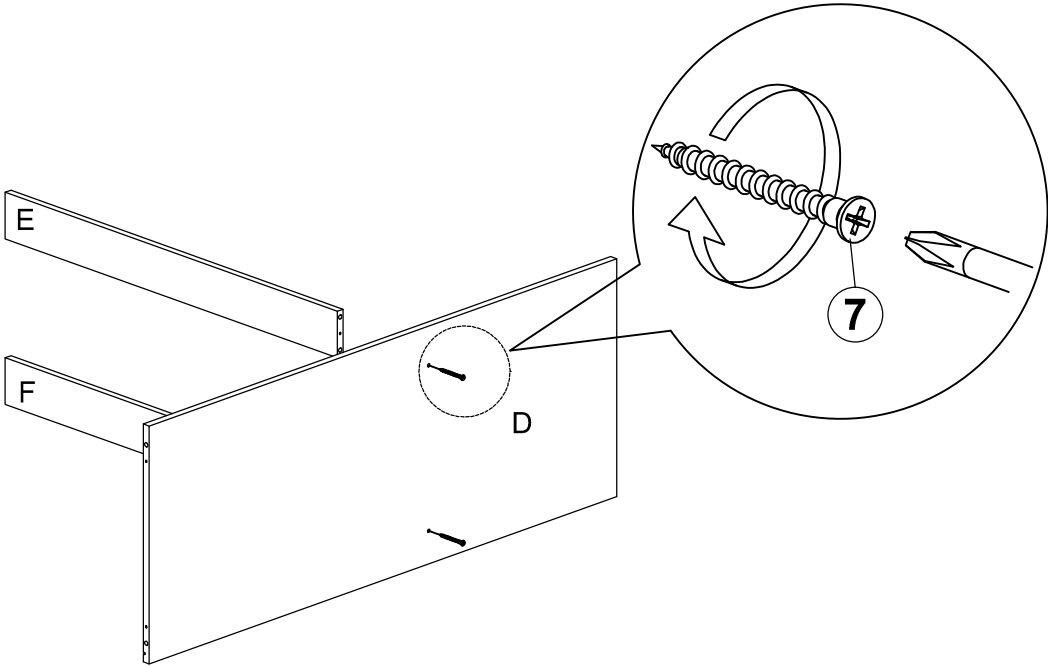


# Assembly Instruction

## Step 4

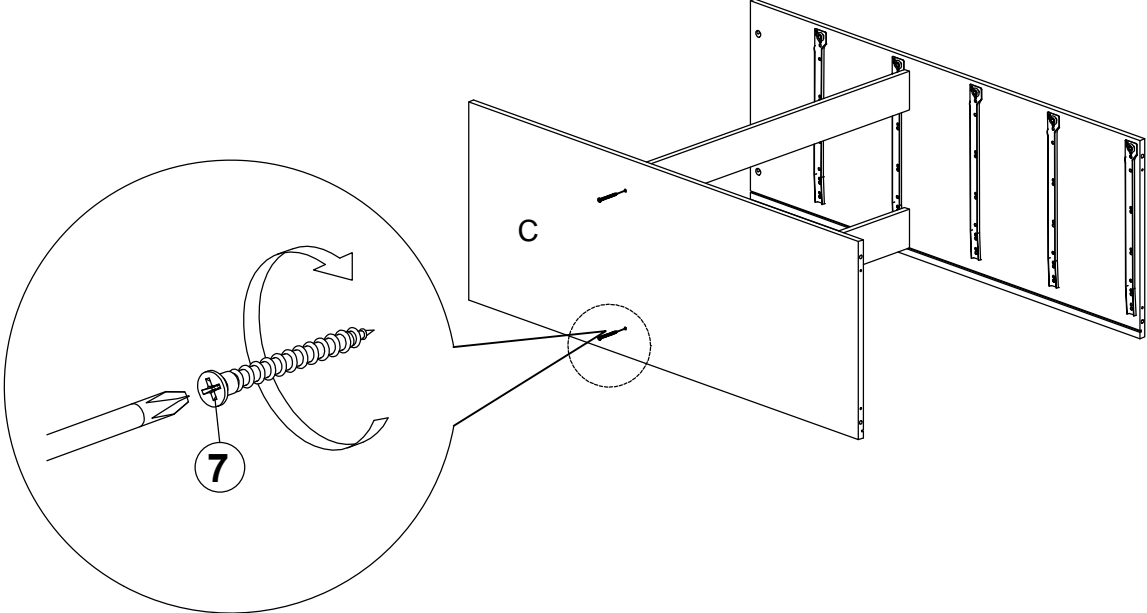


## Step 5

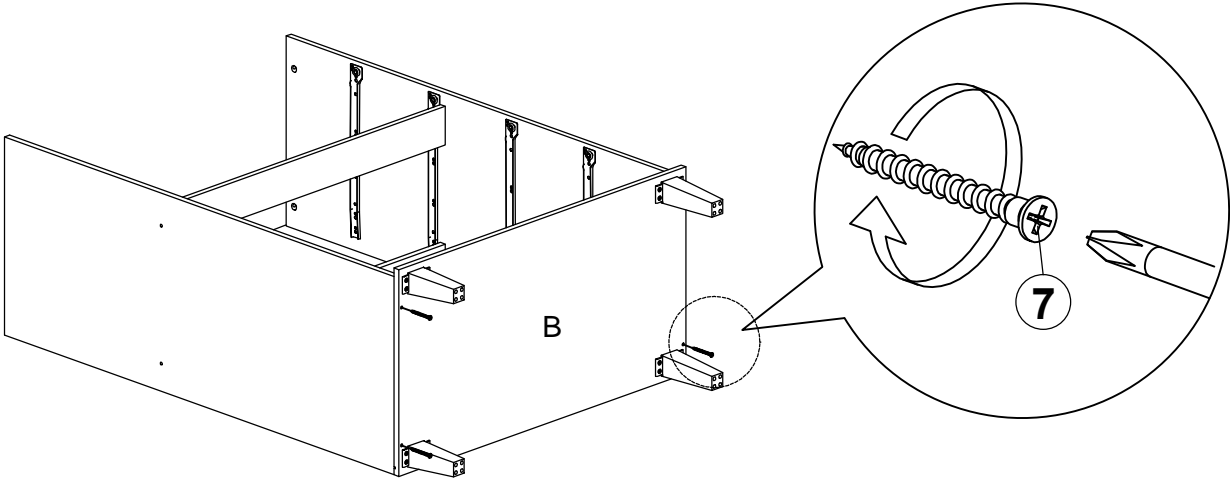


# Assembly Instruction

## Step 6

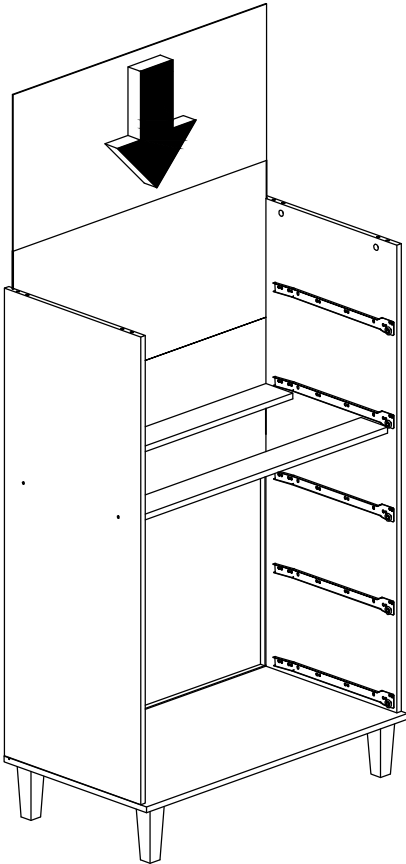


## Step 7

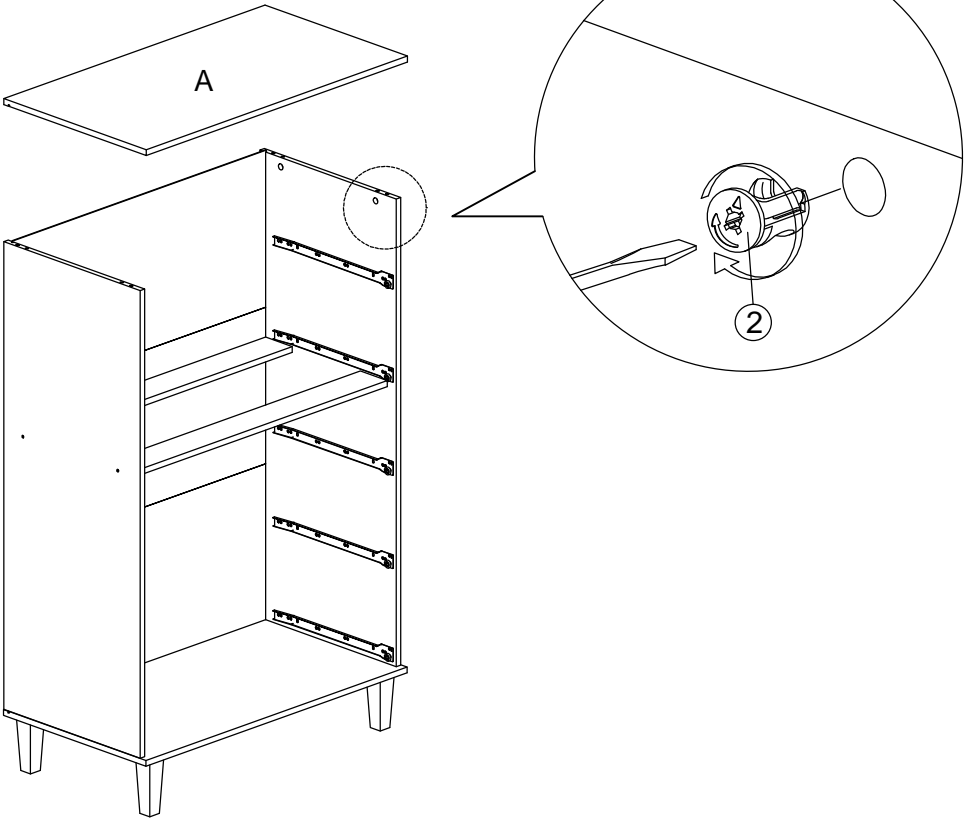


# Assembly Instruction

Step 8

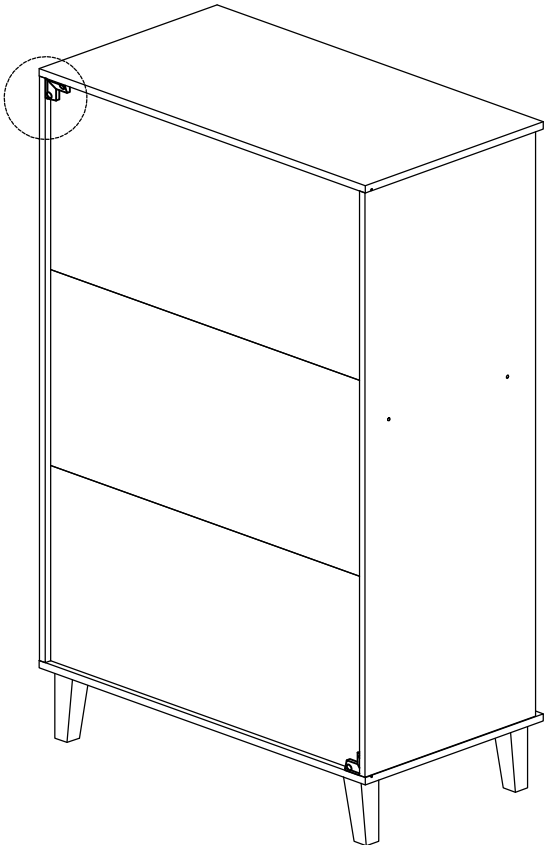
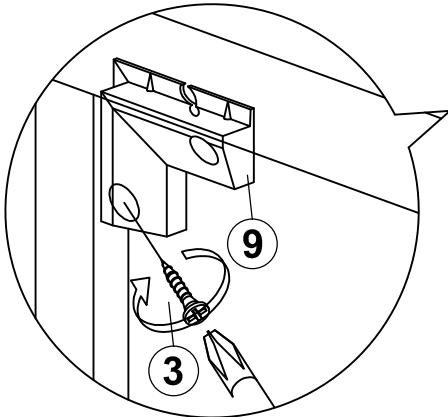


Step 9

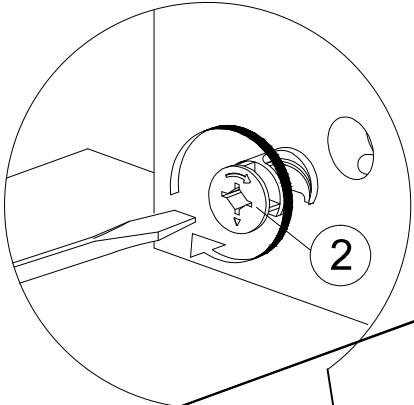


# Assembly Instruction

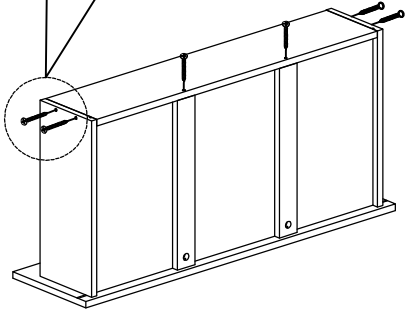
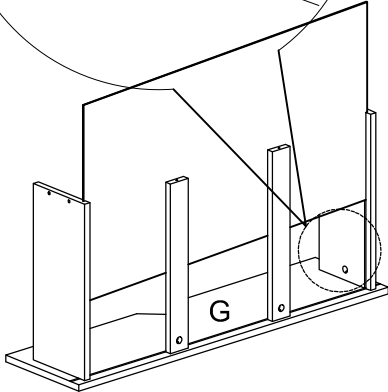
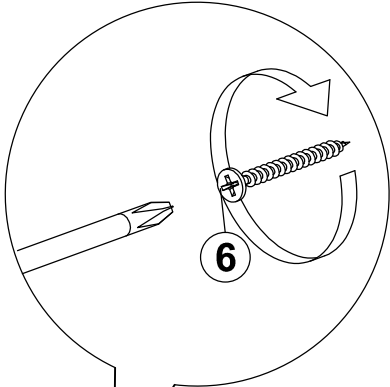
Step 10



Step 11

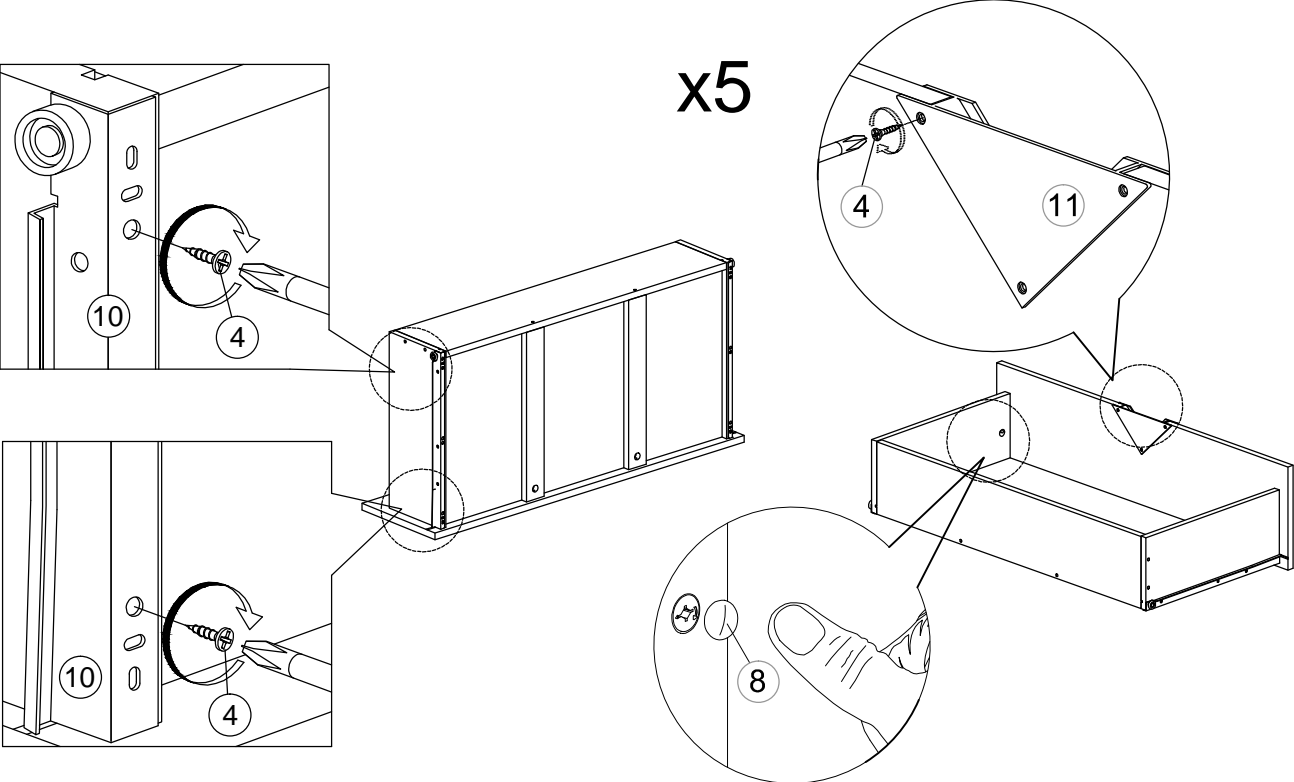


x5



# Assembly Instruction

## Step 12



## Step 13

