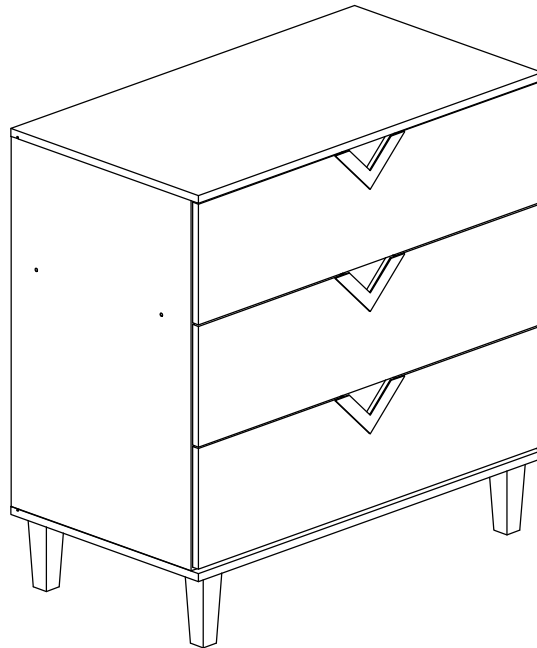
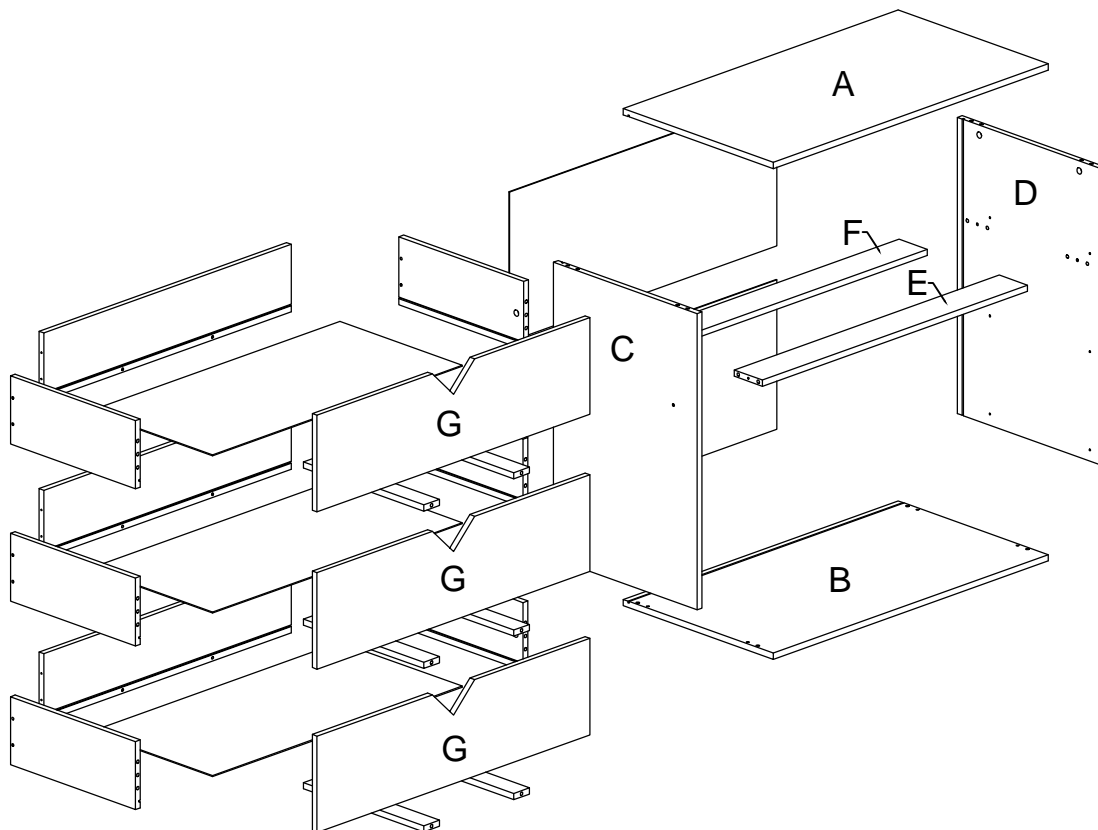


Assembly Instruction











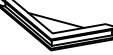

Model : WI8102



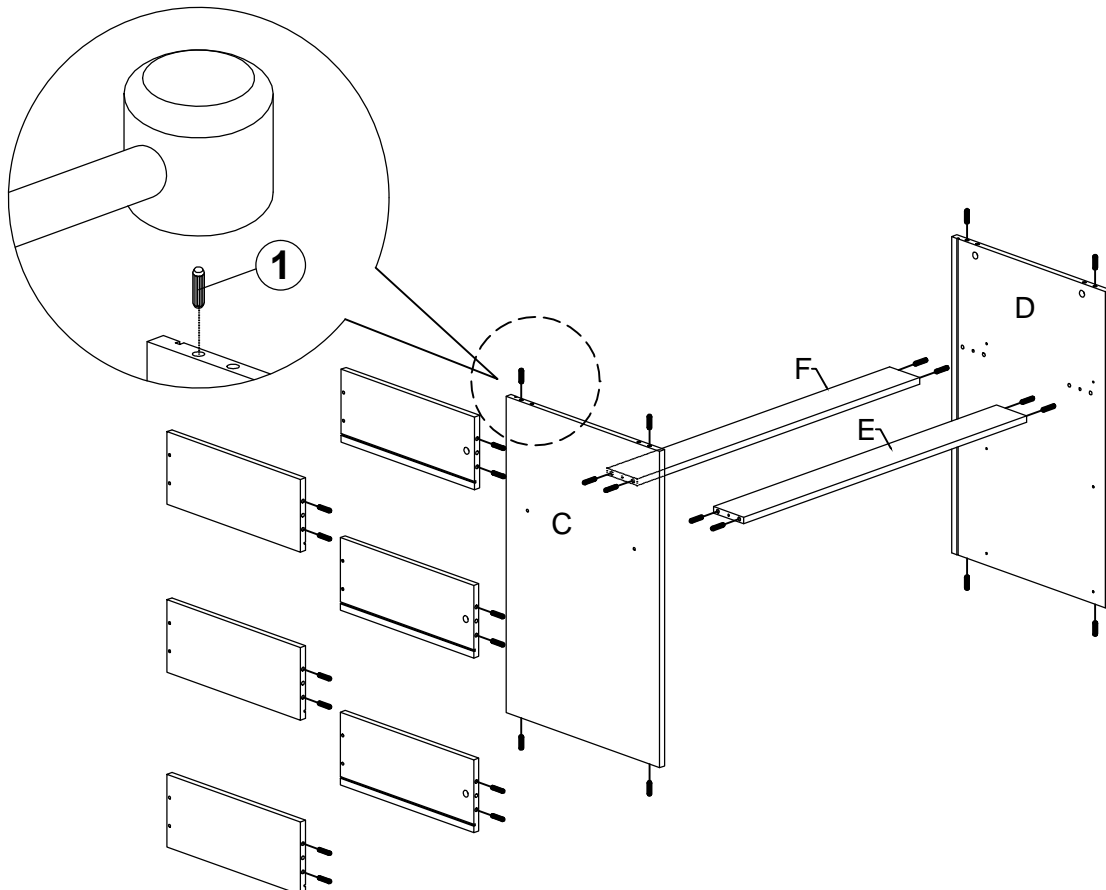
Part List



Assembly Instruction

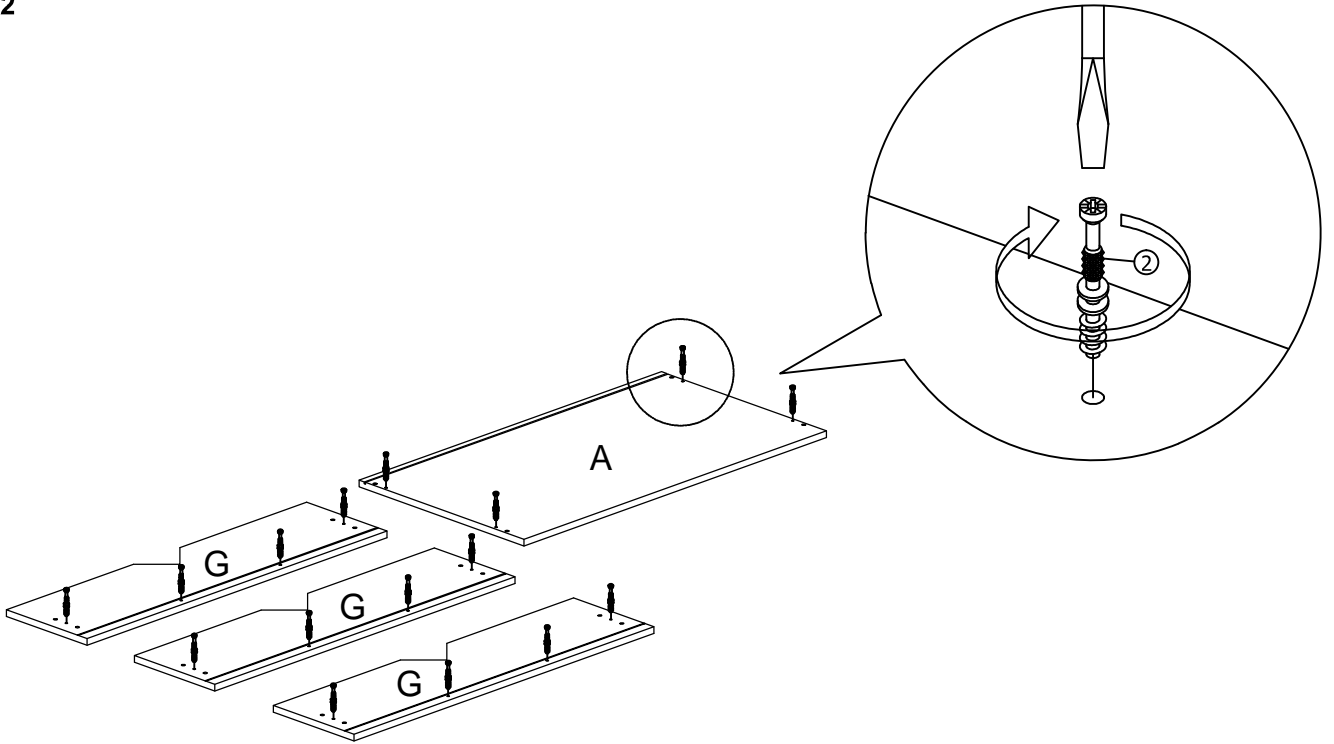
<i>Hardware List</i>			
No.	SHAPE	DESCRIPTION	Qty.
1		8x25mm Wood Dowel	28Pcs
2		15MM Myfix Minifix	16Sets
3		M3x16mm Screw	4Pcs
4		M3.5x15mm Screw	37Pcs
5		M5x8mm Screw (Euro Screw)	12Pcs
6		M4x38mm Screw	18Pcs
7		M5x38mm Screw	8Pcs
8		15mm Minifix Cap	6Pcs
9		Z Bracket (Big)	2Pcs
10		Metal Drawer Slide 16" (400mm)	3 Sets
11		OS-V Handle	3 Pcs
12		OS-140mm Long Tapper Leg	4 Pcs

Step 1

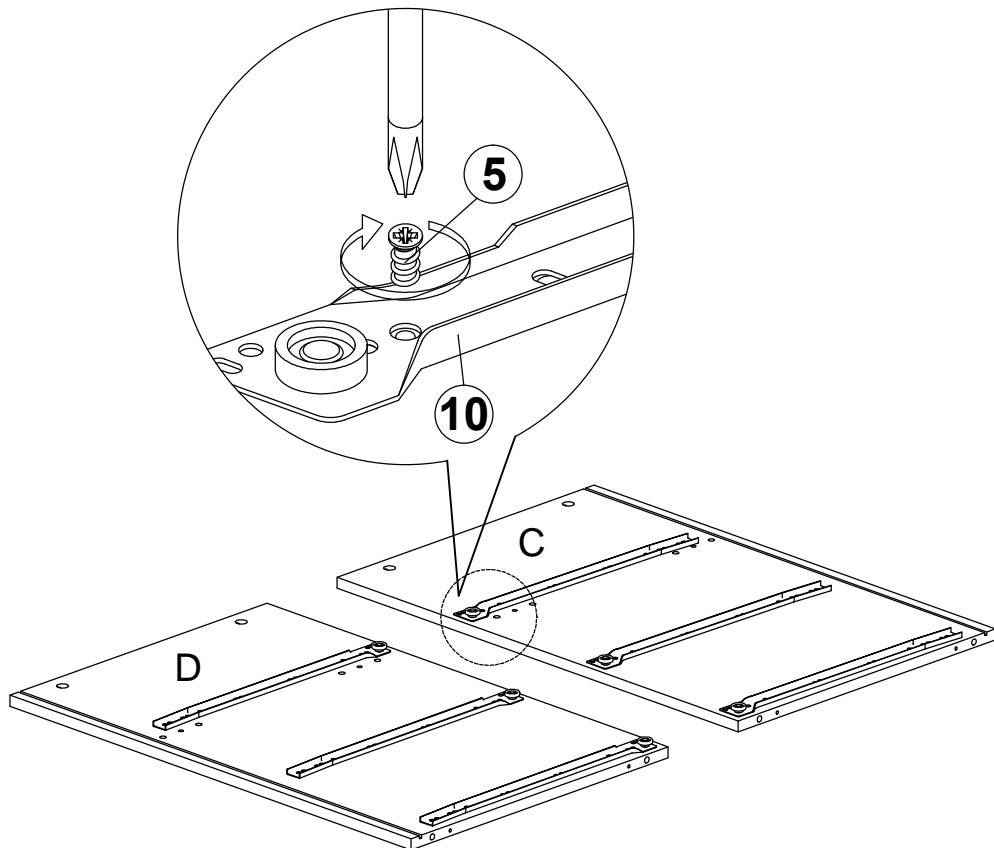


Assembly Instruction

Step 2

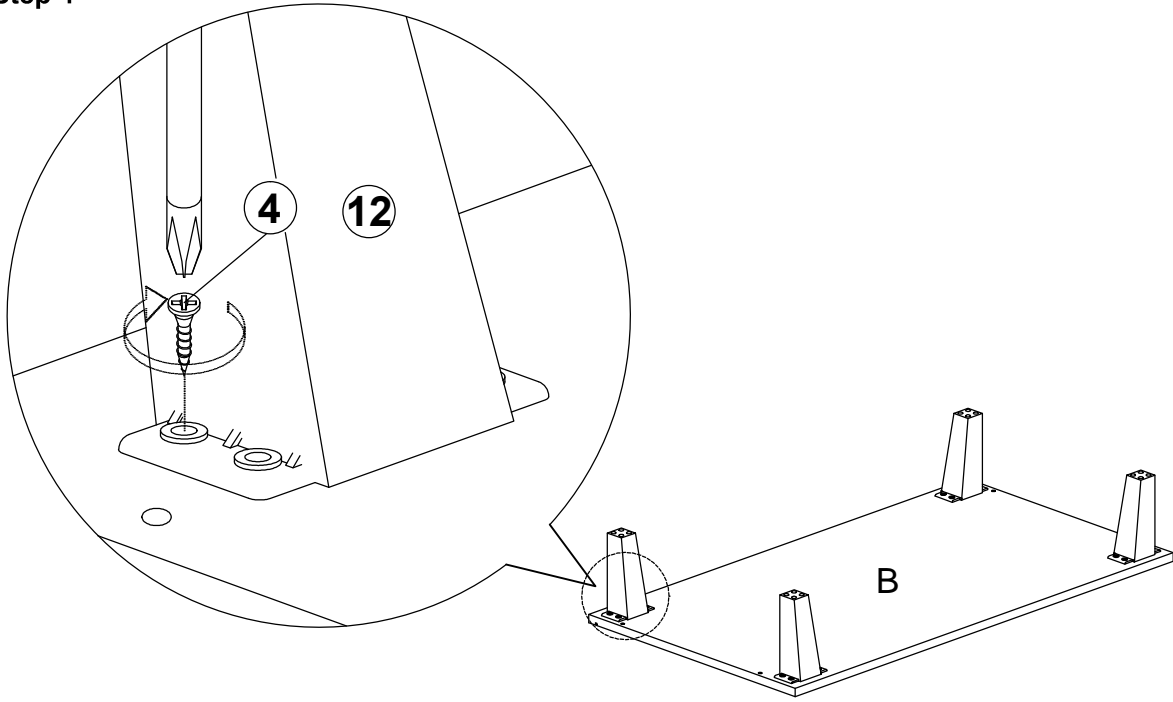


Step 3

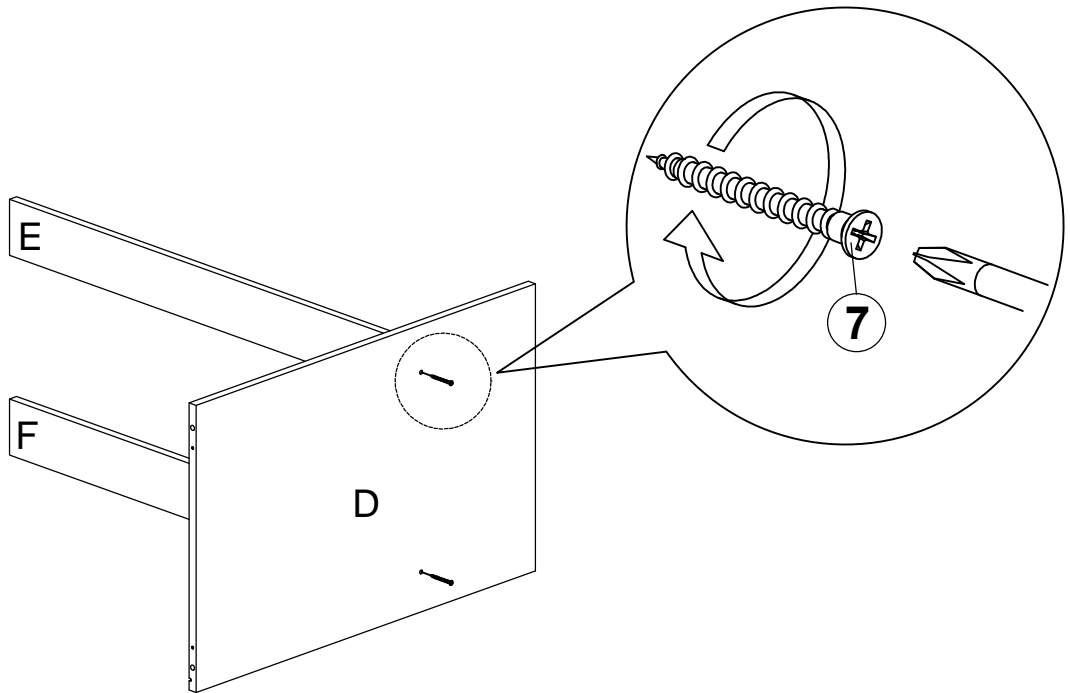


Assembly Instruction

Step 4

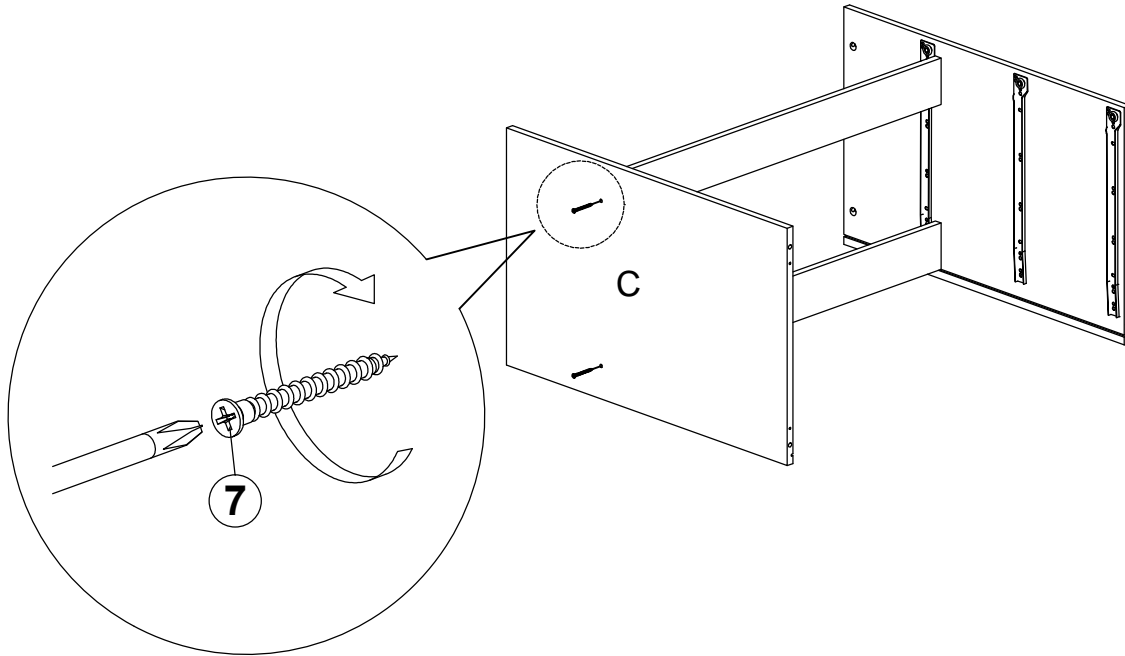


Step 5

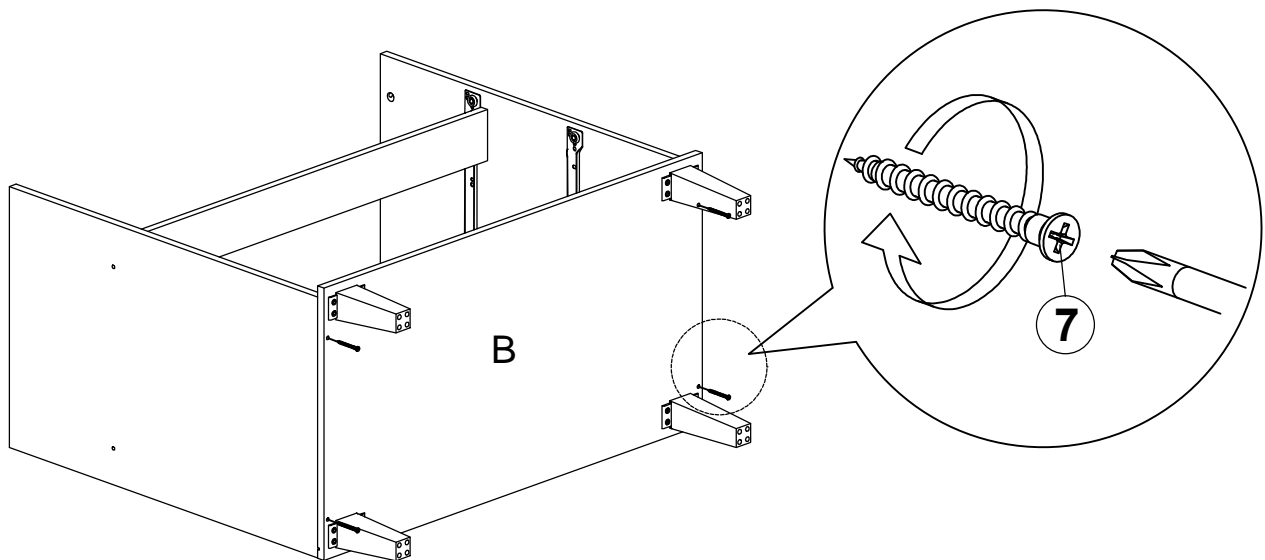


Assembly Instruction

Step 6

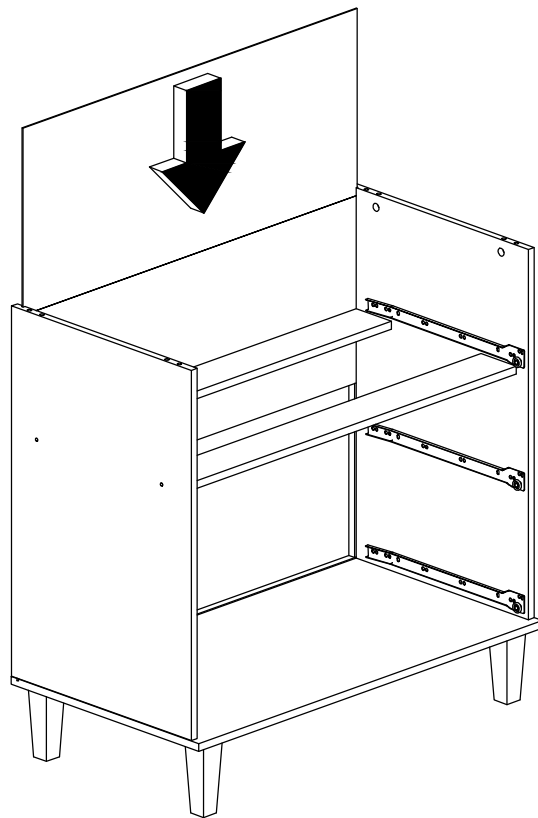


Step 7

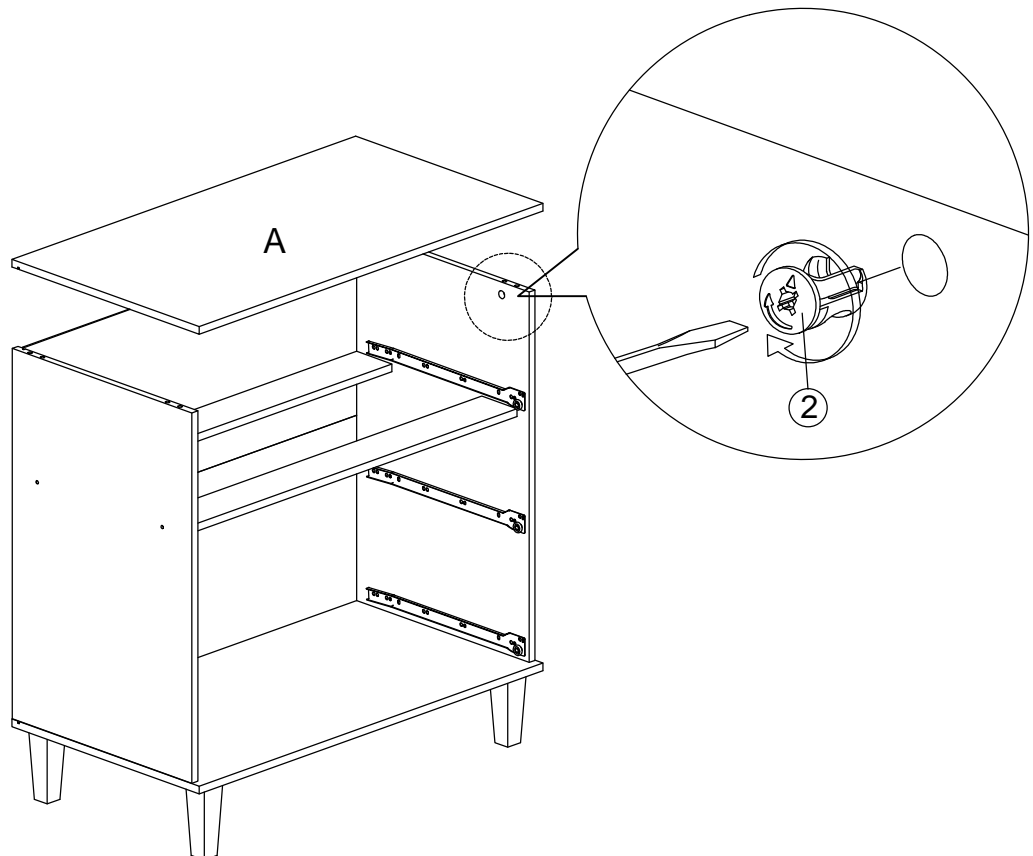


Assembly Instruction

Step 8

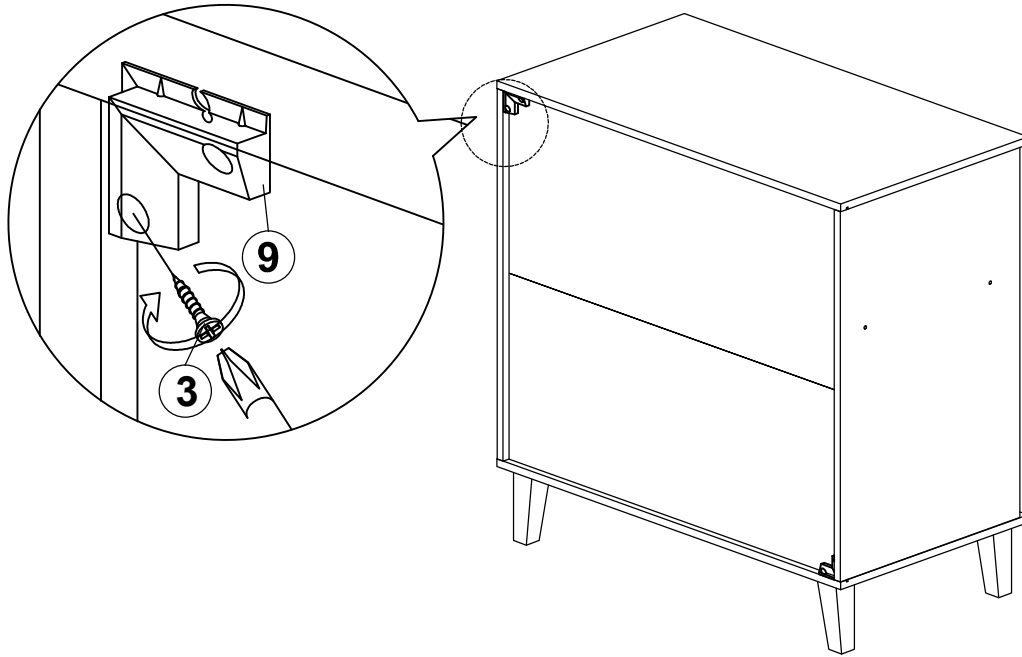


Step 9

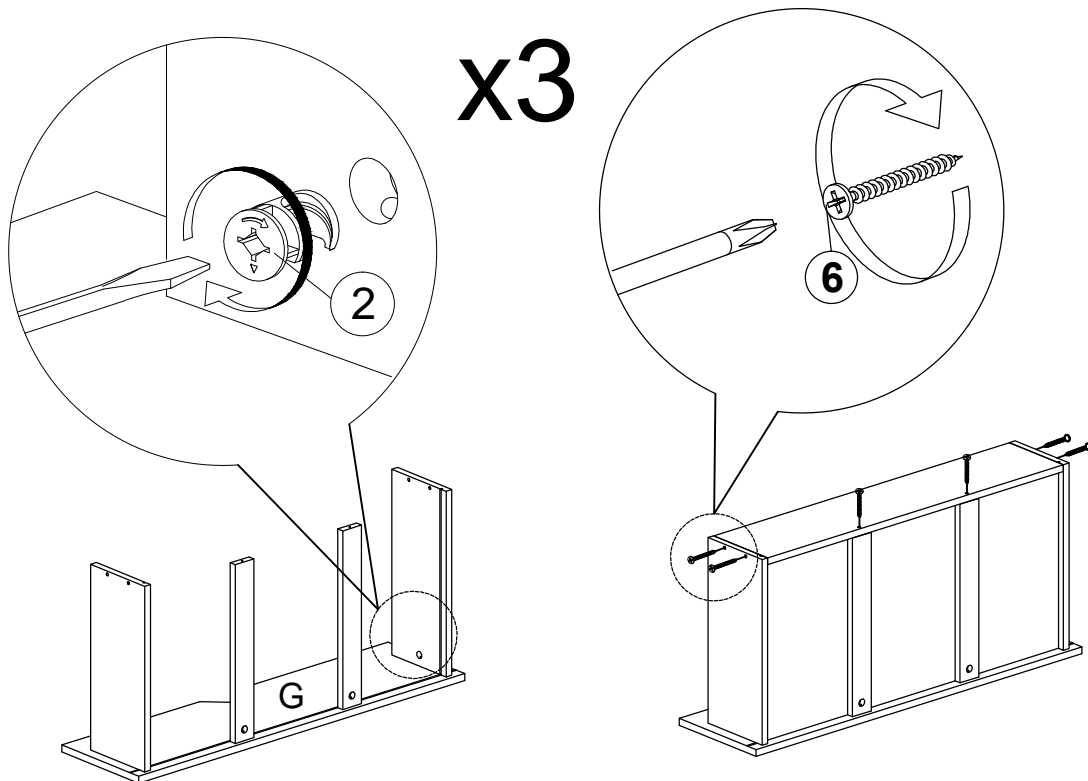


Assembly Instruction

Step 10

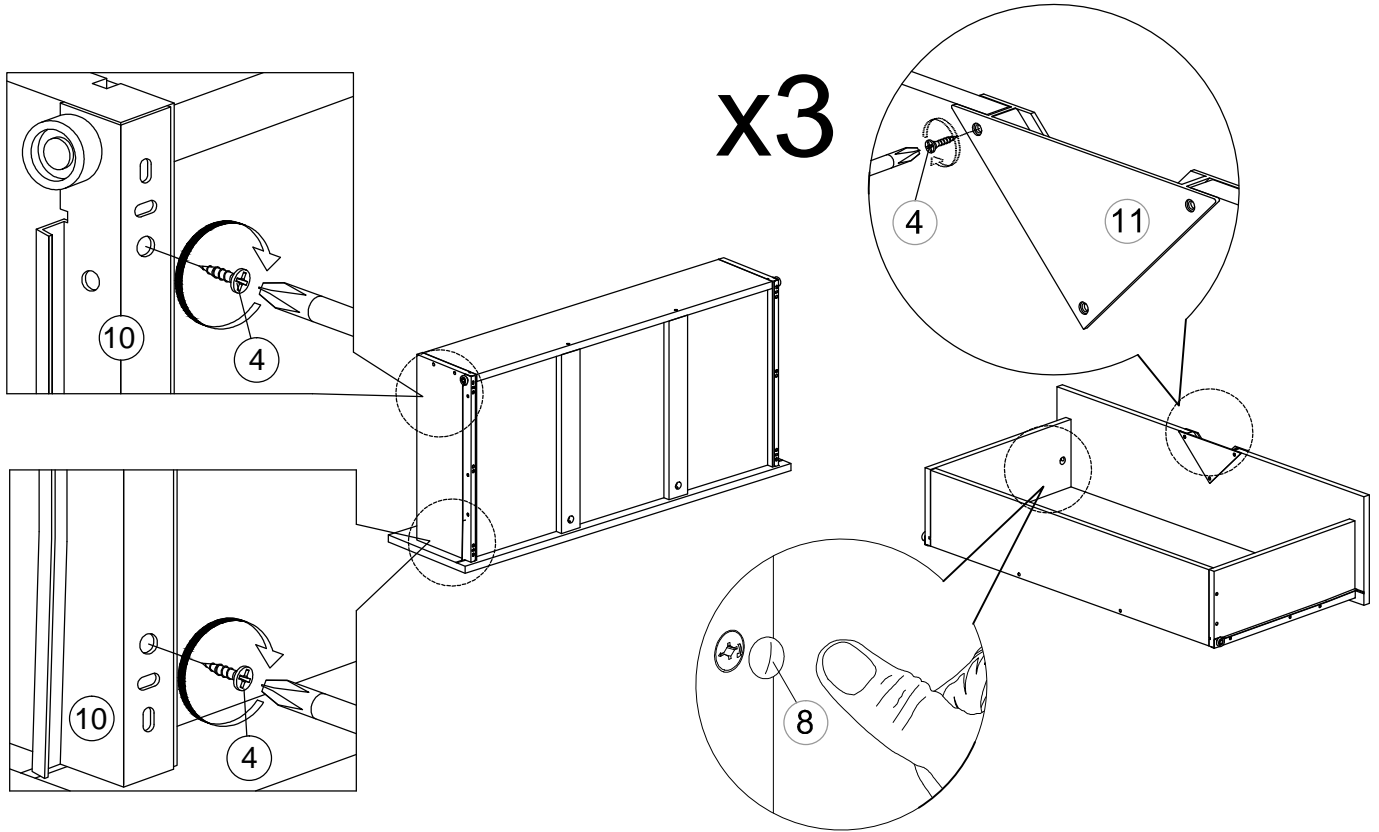


Step 11



Assembly Instruction

Step 12



Step 13

