

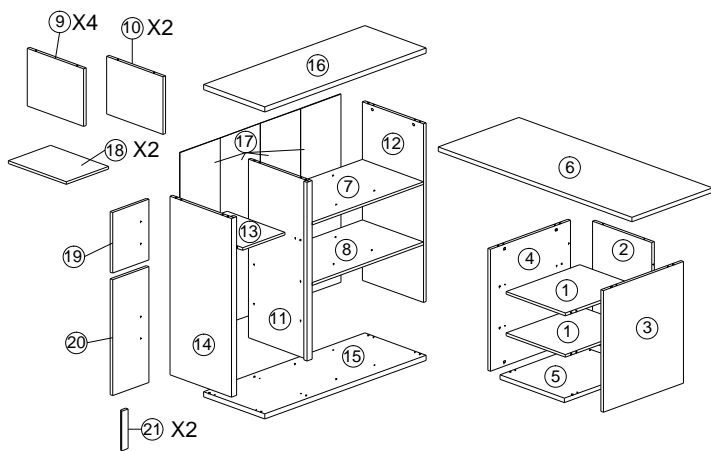
ASSEMBLY INSTRUCTION

MODEL : WT 970010

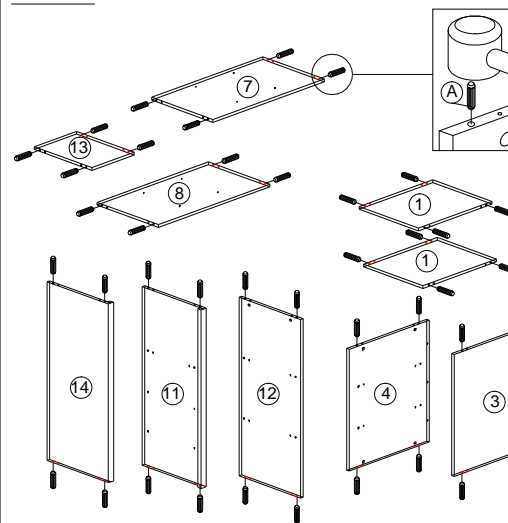
DESC : OFFICE TABLE

| HARDWARE | A | B | B1 | B2 | C | D | E | F | G | H | I | J | K | L |
|----------|-------------------|-----------------|-----------------|-------------|-----------|--------------------|------------------|------------------|-----------------------|----------|---------------------|----------------------|------------------|---|
| | | | | | | | | | | | | | | |
| | WOOD DOWEL 8 X 25 | MINIFIX HOUSING | MINIFIX EURO 24 | MINIFIX CAP | ALLEN KEY | CB SCREW M3.5X16MM | CB SCREW M4X25MM | HINGES 7/8 (MO1) | PVC NAIL WITH PIN 5/8 | NAIL 5/8 | METAL SHELF SUPPORT | CSK CAP WOOD M6X70MM | CB SCREW M4X38MM | |
| | 40 | 68 | 68 | 1 | 16 | 4 | 4 | 10 | 22 | 8 | 6 | 3 | | |

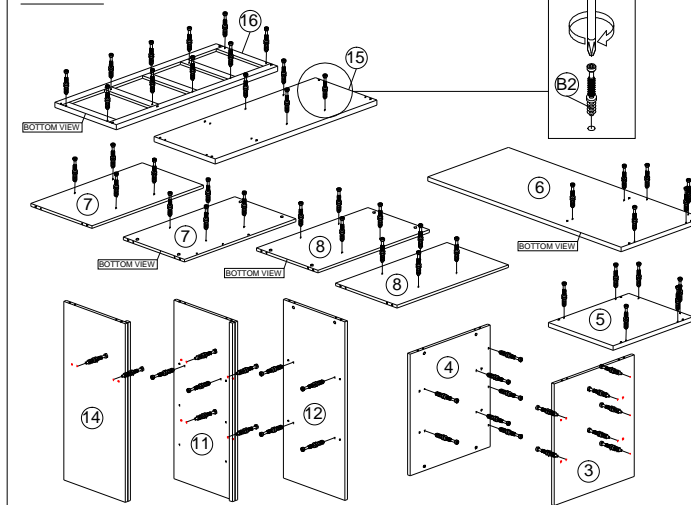
PART LIST



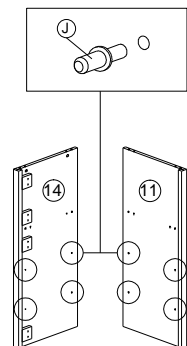
STEP 1



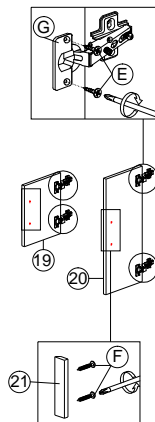
STEP 2



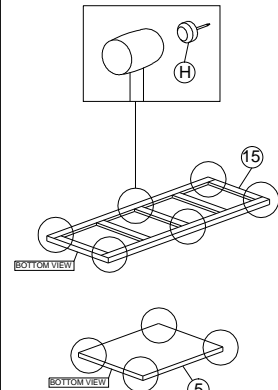
STEP 3



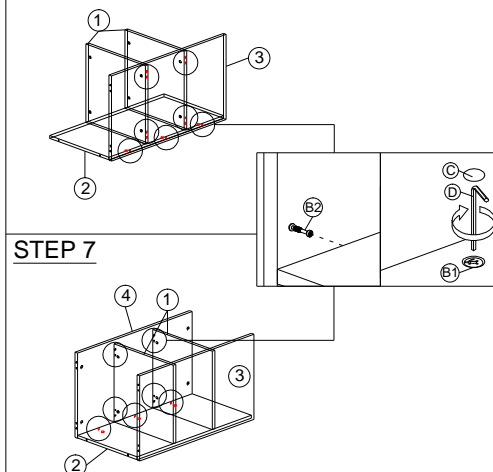
STEP 4



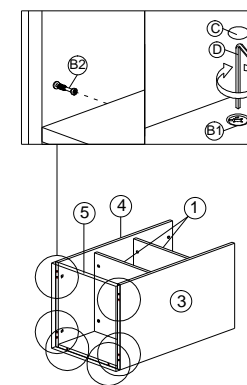
STEP 5



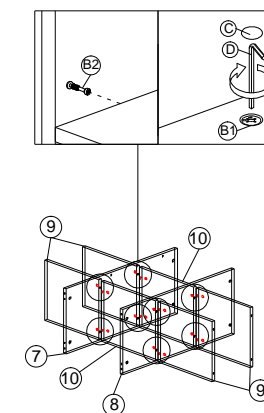
STEP 6



STEP 8

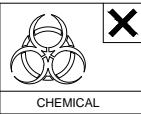


STEP 9

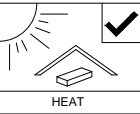




SOFT, DRY CLOTH



CHEMICAL



HEAT



KEEP DRY



HANDLE WITH CARE



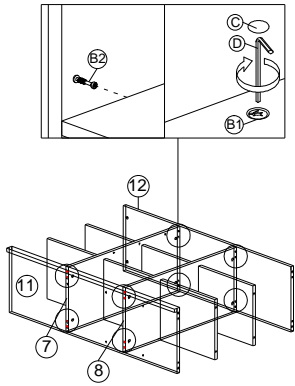
DO NOT USE KNIFE

ASSEMBLY INSTRUCTION

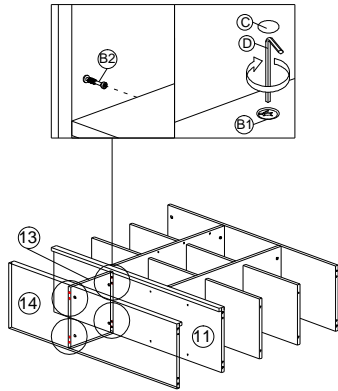
MODEL : WT 970010

DESC : OFFICE TABLE

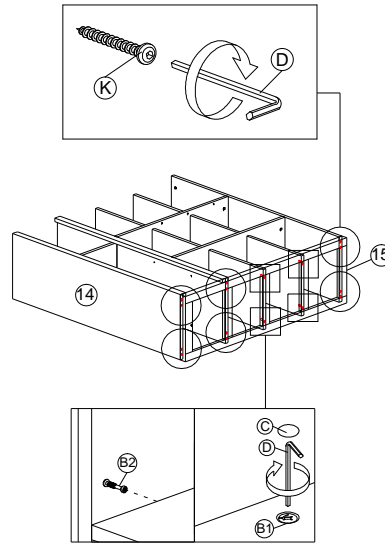
STEP 10



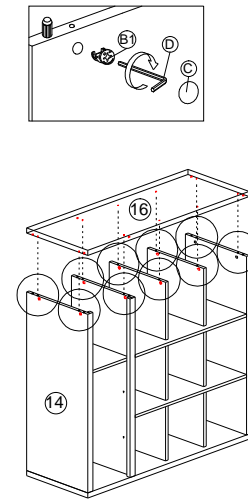
STEP 11



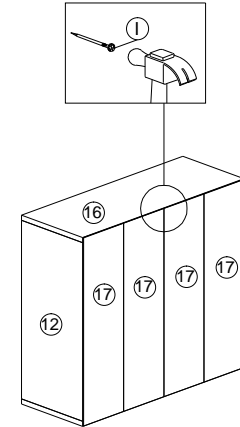
STEP 12



STEP 13

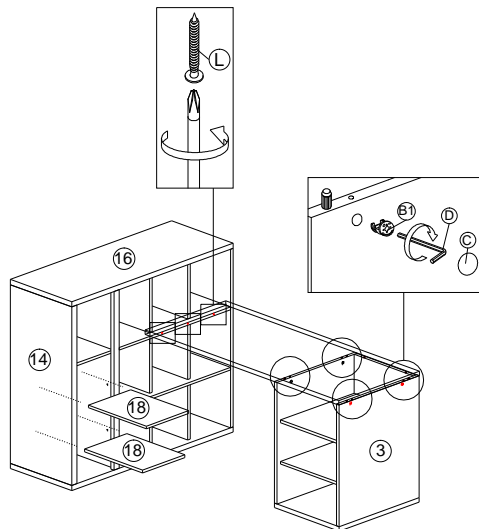


STEP 14

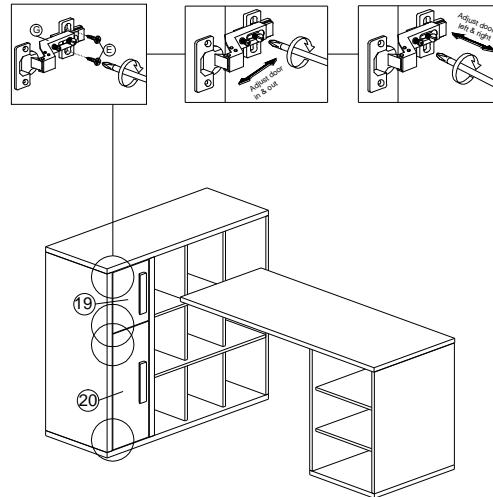


BACK VIEW

STEP 15



STEP 16



COMPLETED

