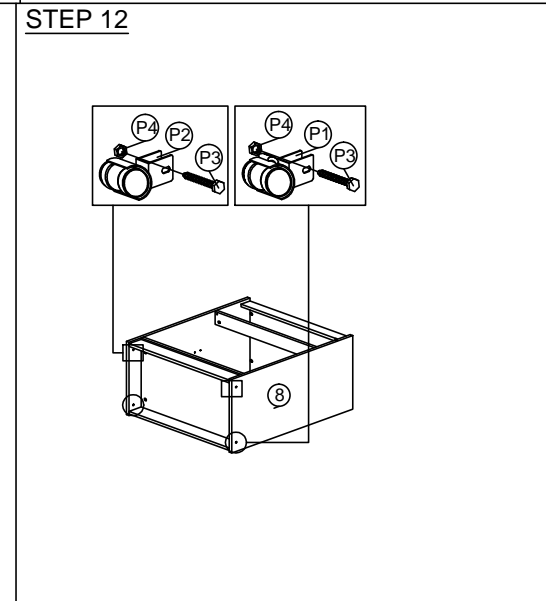
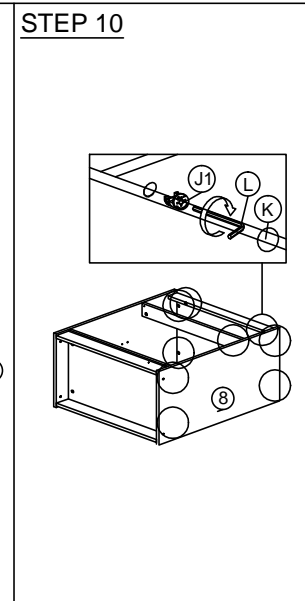
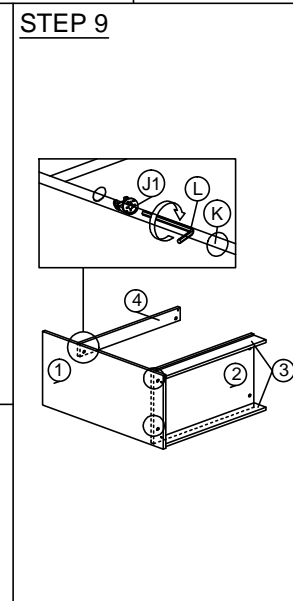
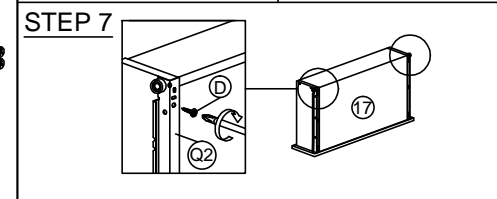
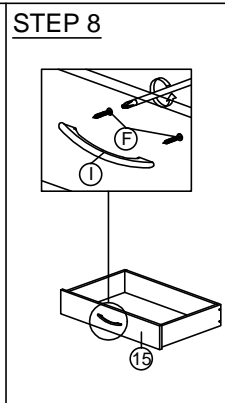
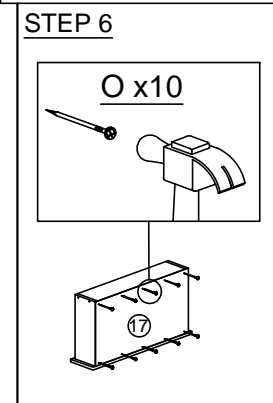
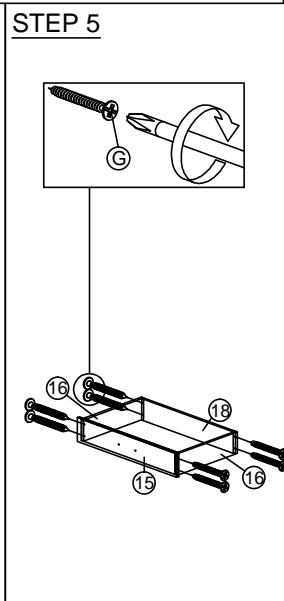
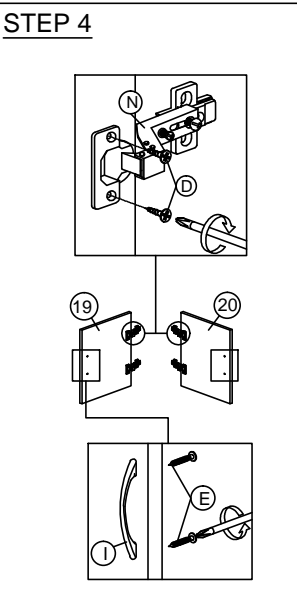
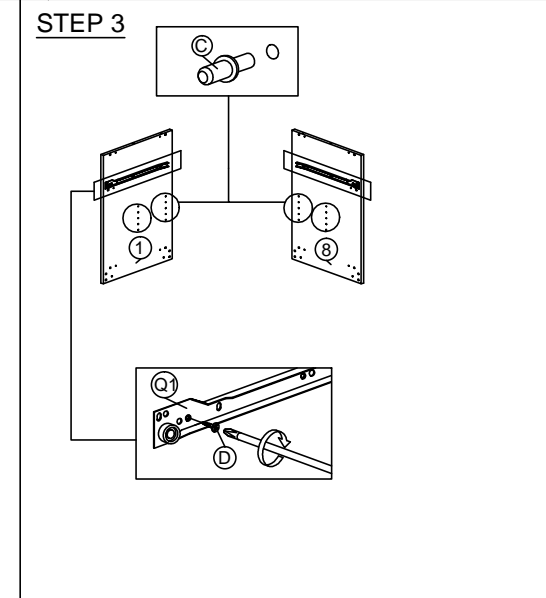
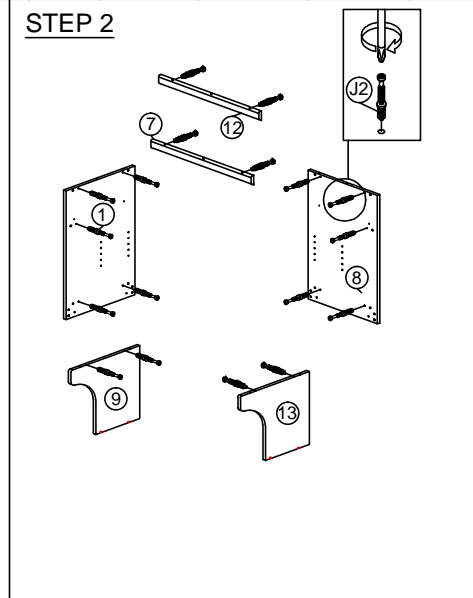
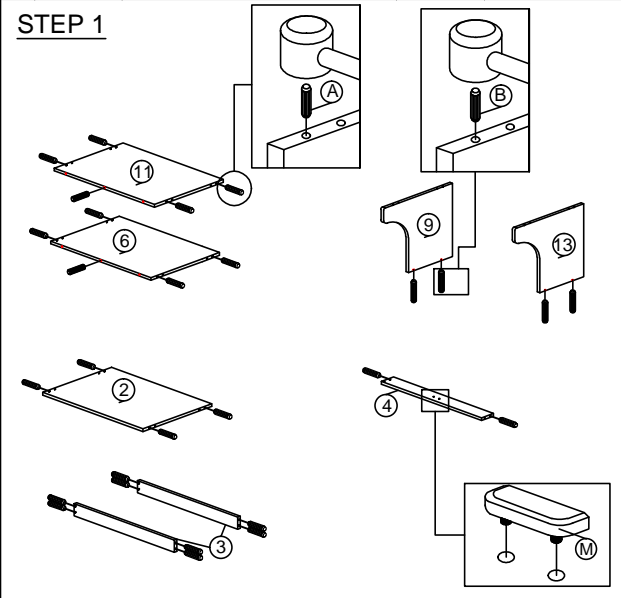
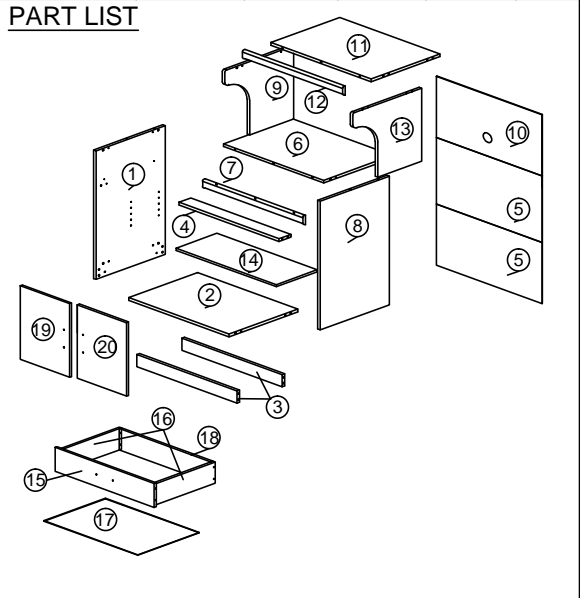


# ASSEMBLY INSTRUCTION

MODEL : WS 883150

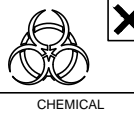
DESCRIPTION : MICROWAVE CART

| HARDWARE | A                 | B                 | C             | D                  | E                | F                | G                | H                   | I           | J                 | K           | L     | M             | N          | O        | P                   | P1                     | P2 | P3 | P4 | Q                | Q1 | Q2 |
|----------|-------------------|-------------------|---------------|--------------------|------------------|------------------|------------------|---------------------|-------------|-------------------|-------------|-------|---------------|------------|----------|---------------------|------------------------|----|----|----|------------------|----|----|
|          |                   |                   |               |                    |                  |                  |                  |                     |             |                   |             |       |               |            |          |                     |                        |    |    |    |                  |    |    |
|          | WOOD DOWEL 8 X 25 | WOOD DOWEL 8 X 40 | SHELF SUPPORT | CB SCREW M3.5X12MM | CB SCREW M4X25MM | CB SCREW M4X32MM | CB SCREW M4X38MM | DOUBLE HEAD MINIFIX | MOON HANDLE | MINIFIX 5654+5546 | MINIFIX CAP | L KEY | 2 PIN STOPPER | HINGES 7/8 | NAIL 5/8 | CASTER WITH STOPPER | CASTER WITHOUT STOPPER |    |    |    | DRAWER SLIDE 14" |    |    |
|          | 24                | 4                 | 4             | 28                 | 4                | 2                | 8                | 4 SETS              | 3           | 18 SETS           | 18          | 1     | 1             | 4          | 37       | 2                   | 2                      | 4  | 4  |    | 1 SET            |    |    |

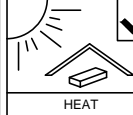




SOFT, DRY CLOTH



CHEMICAL



HEAT



KEEP DRY



HANDLE WITH CARE



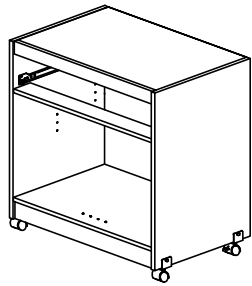
DO NOT USE KNIFE

# ASSEMBLY INSTRUCTION

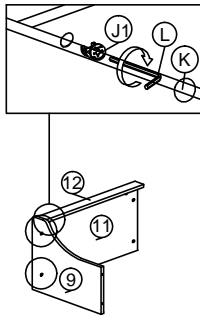
MODEL : WS 883150

DESCRIPTION : MICROWAVE CART

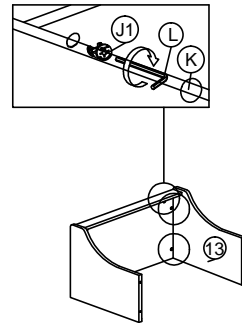
PART 1



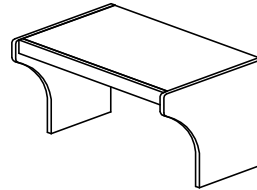
STEP 13



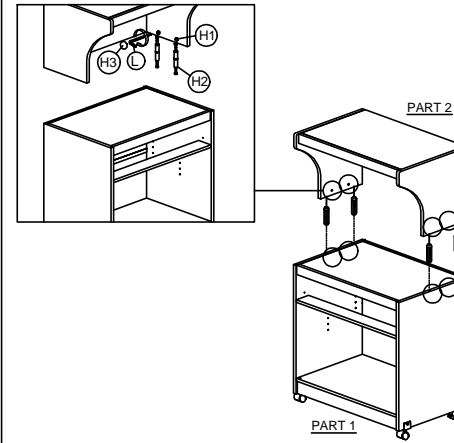
STEP 14



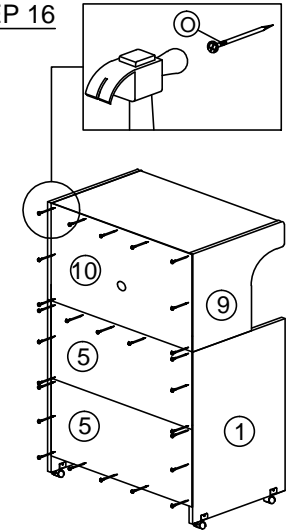
PART 2



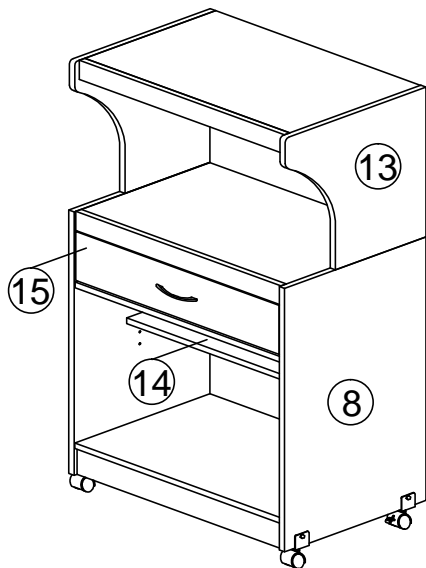
STEP 15



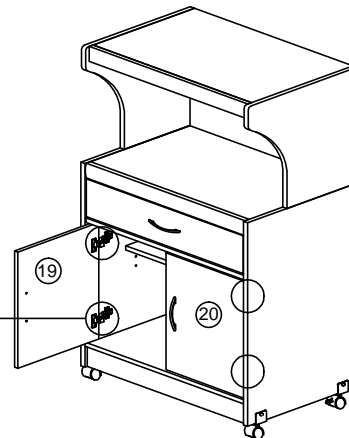
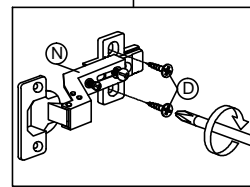
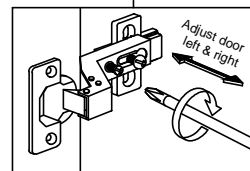
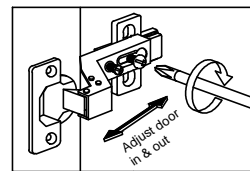
STEP 16



STEP 17



STEP 18



COMPLETED

