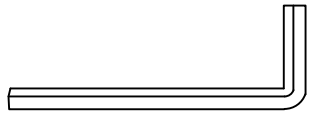
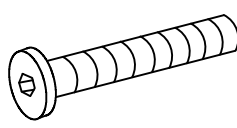




20091

Assembly Instruction/Instruction D'Assemblage

No/ No	Drawing/ Croquis	Specification	Qty/ Qté
A		Allen Wrench 5mm	1
B		Bolt 5/16"*3"	4
C		Lock Washer 5/16"	4
D		Flat Washer 5/16"	4

